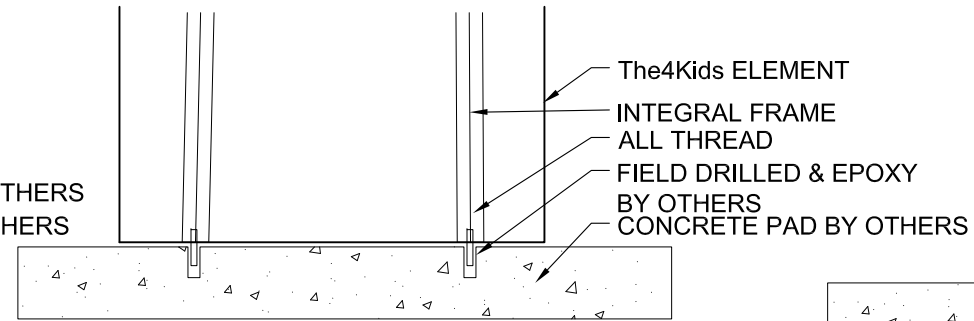
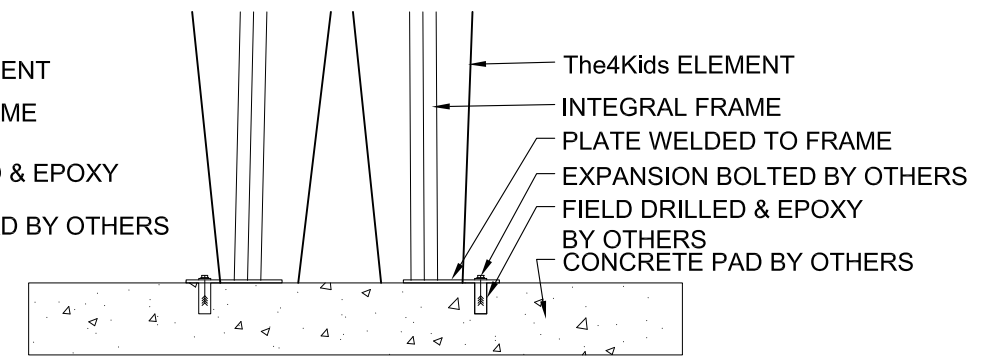


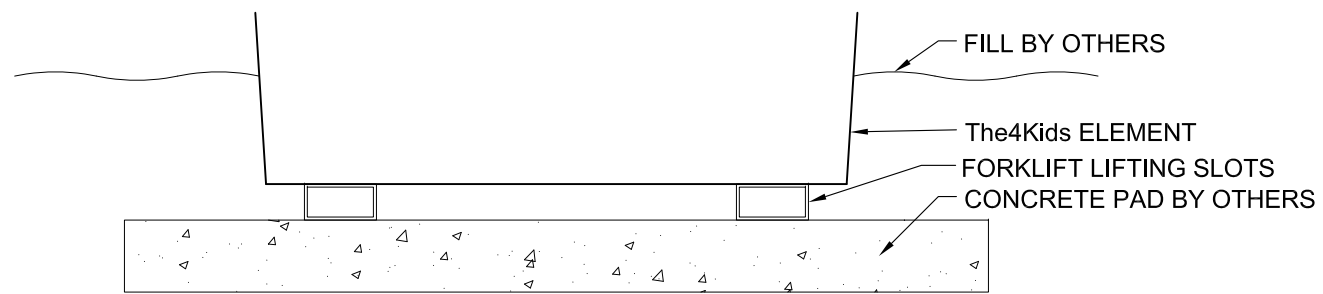
SEALANT BED



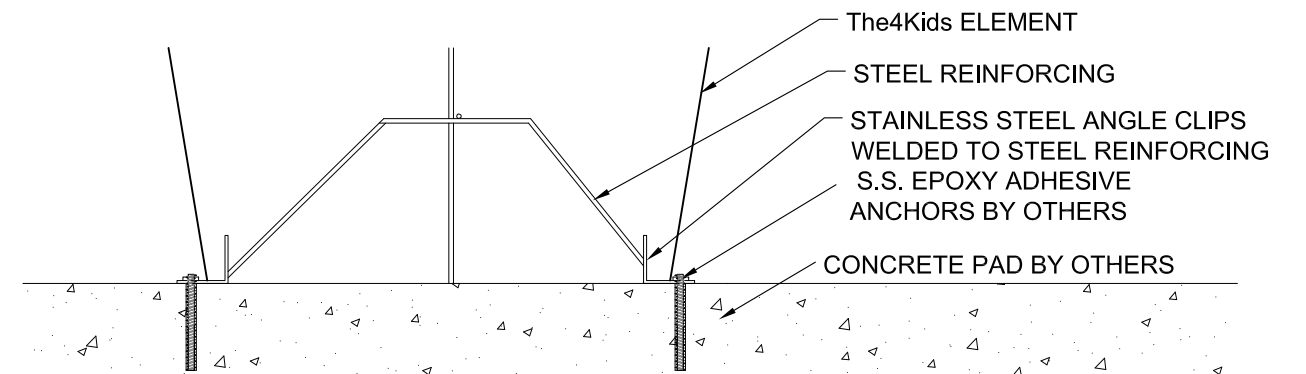
ALL THREAD IN EPOXY



METAL TAB BOLTED TO CONCRETE PAD



FORKLIFT LIFTING POINTS BELOW FILL



STAINLESS STEEL ANGLE CLIPS WITH ANCHORS

ALL RIGHTS RESERVED. THIS DRAWING IS PROPERTY OF THE4KIDS INC. AND MAY BE USED ONLY WHEN UTILIZING THE4KIDS PRODUCTS. THE4KIDS INC. GENERAL TERMS AND CONDITIONS APPLY AND ARE INCORPORATED HERE IN BY REFERENCE. THIS DETAIL MAY NOT APPLY TO ALL CONDITIONS AND CONSTRUCTION SITUATIONS.