

# Pig Animal Cracker



At The 4 Kids, not only is our Pig Animal Cracker cute, it's also super fun! The Pig Animal Cracker is designed to captivate children with its bright colors, thoughtful detailing and overall play value. Great for climbing, it is crafted for easy maintenance from long-lasting materials that can endure anything your kids can throw at it. Add our Pig Animal Cracker to your playground and delight children for years to come. This little Pig would make for a great water feature at splash parks.

The 4 Kids was born out of a desire to create high quality, one-of-a-kind park shelters and play environments that effectively appeal to children's natural curiosity and imagination.

All of our products are custom designed to work perfectly with your unique playground. Let us know how we can meet your specific needs by contacting our knowledgeable design specialists, today.

## Contact Us

Ordering from The 4 Kids is easy, initial consultation & quote is free.  
We can also provide you with design ideas and conceptual drawings.  
We want your whole experience with The 4 Kids to be smooth & rewarding.

4400 Oneal St. Greenville, TX 75401

903.454.9237

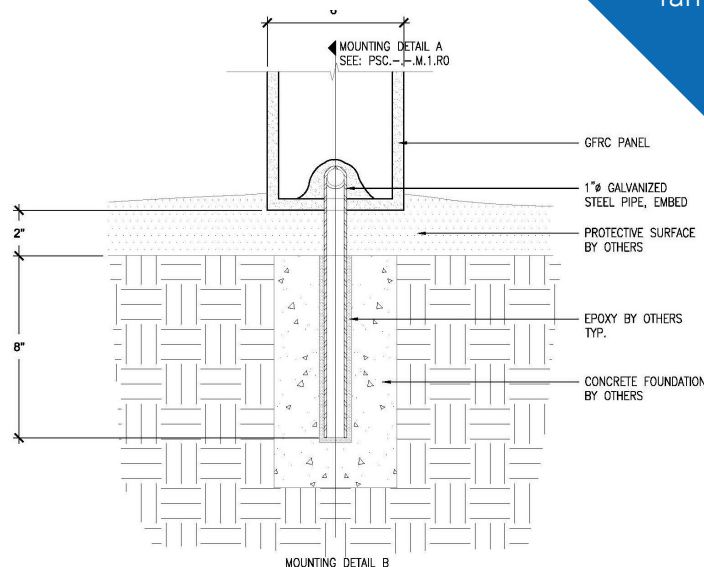
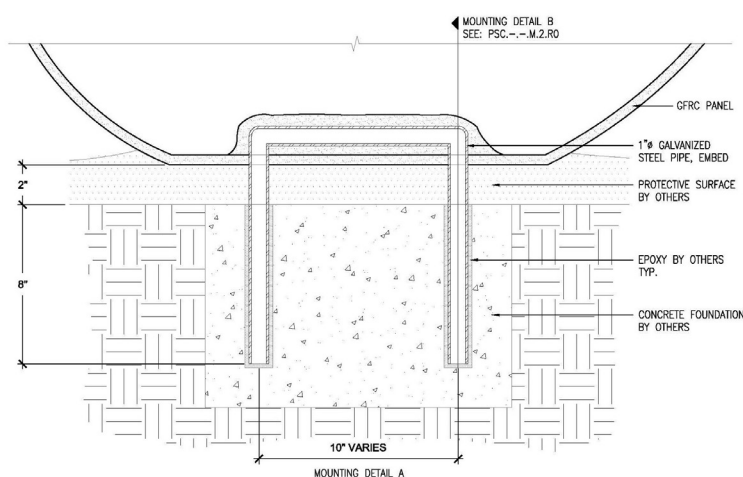
[info@the4kids.com](mailto:info@the4kids.com)

[www.the4kids.com](http://www.the4kids.com)

Let our team of experienced engineers and artists make your playground the destination for fun! We can create an exciting space where children's imaginations can run wild. A playscape where parents can feel secure and create lasting memories with their whole family.

**Key Features**

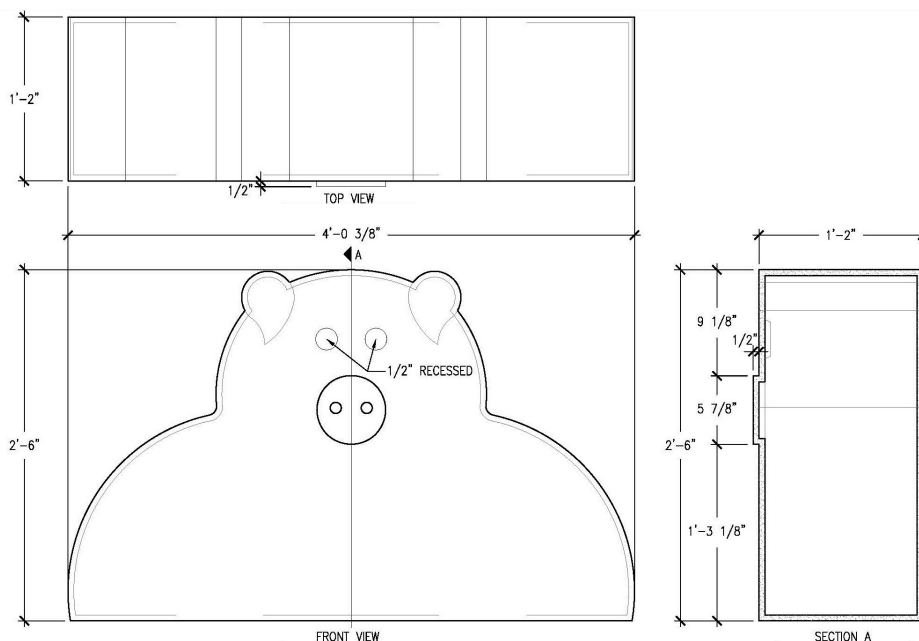
- Customizable colors and finishes
- Made from durable materials that are meant to last
- Unique, original design stimulates the imagination
- Free initial quote and consultation
- Designed specifically for the safety of little kids



**Specifications**

**Use Zone:**  
16' 1/2" L x 13' 2" W

**Mounting Options:**  
See Typical Installation Details



**Contact Us**

Ordering from The 4 Kids is easy, initial consultation & quote is free. We can also provide you with design ideas and conceptual drawings. We want your whole experience with The 4 Kids to be smooth & rewarding.

4400 Oneal St. Greenville, TX 75401

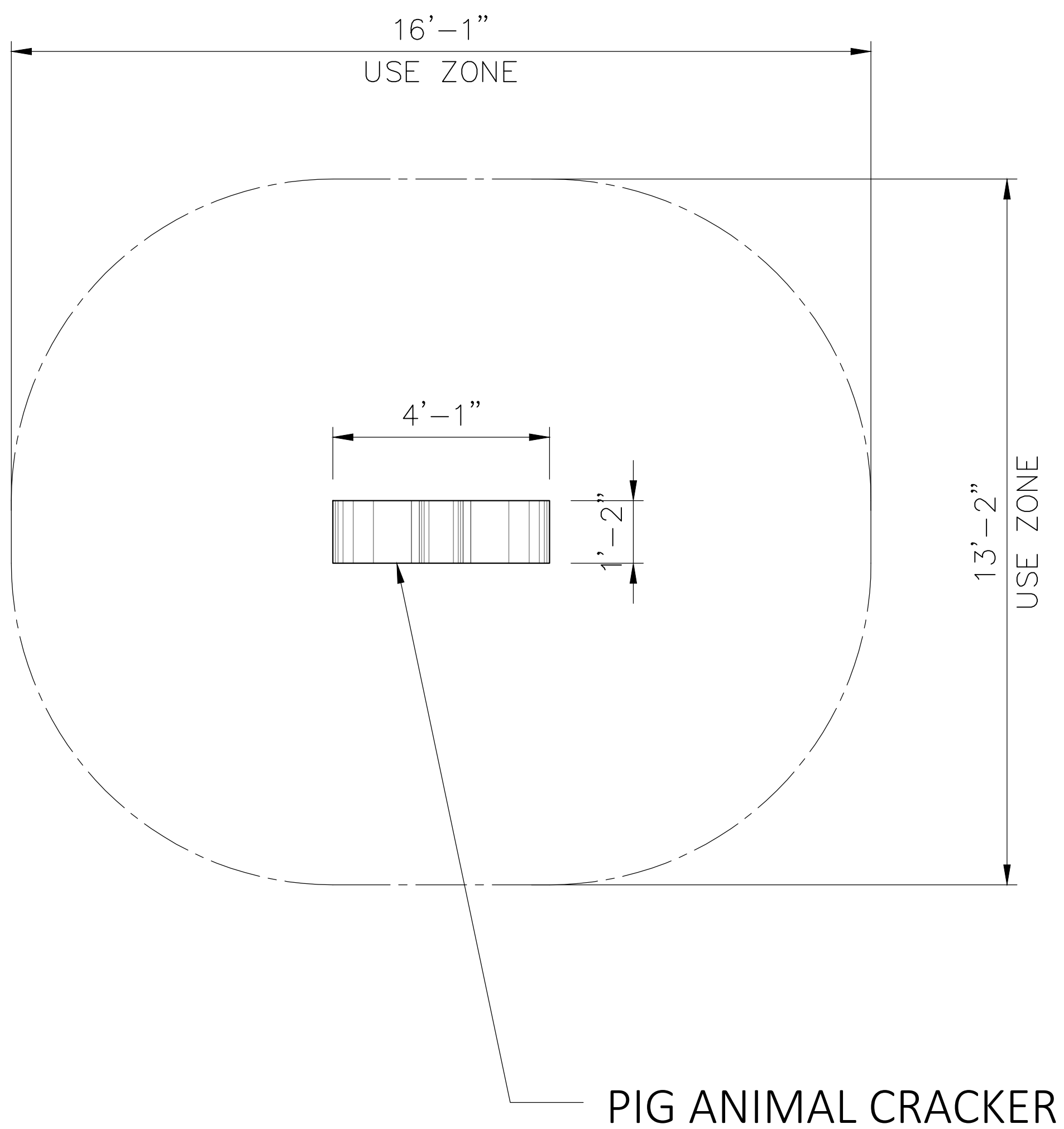
903.454.9237

info@the4kids.com

www.the4kids.com



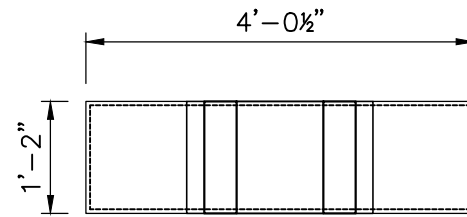
PIG ANIMAL CRACKER  
48.5" X 14" X 30"



## TOP VIEW

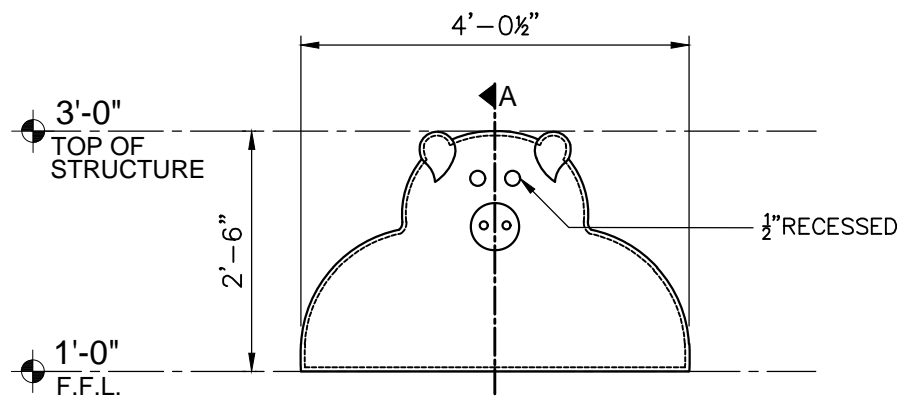
SCALE: 1/2" = 1'-0"

- \* SUBJECT TO THE4KIDS ARTISTIC INTERPRETATION
- \* CONCRETE FOUNDATION SHOWN FOR CONCEPT ONLY. FOR ACTUAL CONCRETE FOUNDATION SIZE AND REINFORCEMENT, CONSULT A LOCAL ENGINEER AND DESIGN PER LOCAL CODE AND SOIL CONDITION



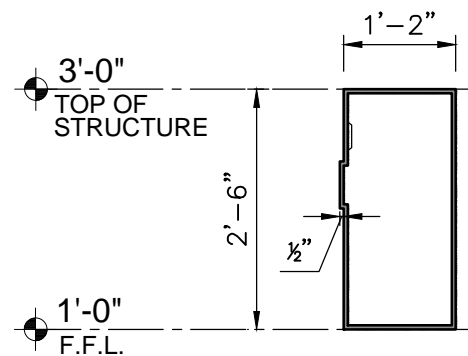
**TOP VIEW**

SCALE: 1/2" = 1'



**FRONT VIEW**

SCALE: 1/2" = 1'



**SECTION A**

SCALE: 1/2" = 1'



**PRODUCT VIEW**

SCALE: NTS

ALL RIGHTS RESERVED. THIS DRAWING IS PROPERTY OF THE 4 KIDS INC. AND MAY BE USED ONLY WHEN UTILIZING THE 4 KIDS INC. GENERAL TERMS AND CONDITIONS APPLY. THIS DETAIL MAY NOT APPLY TO ALL CONDITIONS.

**ITEM ID: ANI102**

**MATERIAL: GFRP**

MOLD

APX. TTL. WEIGHT

TOTAL # OF ITEM:

- LBS. [ - KG]

TOTAL SQ. FEET: - [- sqm.]

PROJECT:

TITLE: PIG ANIMAL CRACKER

REFERENCES:



**CUSTOM THEMED PLAYGROUNDS**

4400 ONEAL STREET, GREENVILLE, TX 75401 PHONE 903.454.9237 FAX 903.454.3642

TYPE DWG: FABRICATION

DRAWN BY: AS

DATE: ---

SCALE: AS NOTED

SHEET:

DWG. SHEET: