



Flower Animal Cracker



Looking for an awesome nature themed playground piece for your toddler play yard? Look no further than the Flower Animal Cracker from The 4 kids. Made with super strong materials in vibrant colors this playground climber will grab the attention of children young and old. As part of a public park, preschool, daycare or multiple family housing complex, it will dress it up while adding limitless hours of play and fun. Add multiple flowers in different colors to 'grow your own garden'. This little Flower piece would be a fun and colorful addition to any splash pad.

The 4 Kids was born out of a desire to create high quality, one-of-a-kind park shelters and play environments that effectively appeal to children's natural curiosity and imagination.

All of our products are custom designed to work perfectly with your unique playground. Let us know how we can meet your specific needs by contacting our knowledgeable design specialists, today.

Contact Us

Ordering from The 4 Kids is easy, initial consultation & quote is free.
We can also provide you with design ideas and conceptual drawings.
We want your whole experience with The 4 Kids to be smooth & rewarding.

4400 Oneal St. Greenville, TX 75401

903.454.9237

info@the4kids.com

www.the4kids.com

Let our team of experienced engineers and artists make your playground the destination for fun! We can create an exciting space where children's imaginations can run wild. A playscape where parents can feel secure and create lasting memories with their whole family.

Key Features

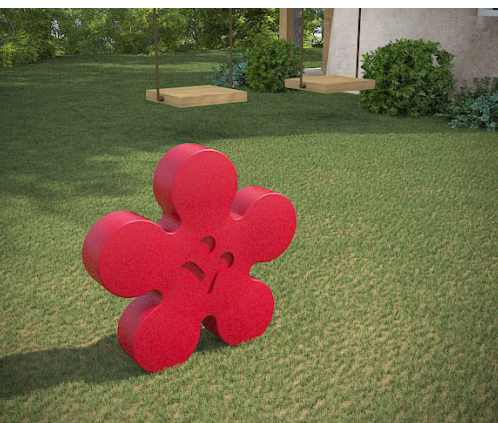
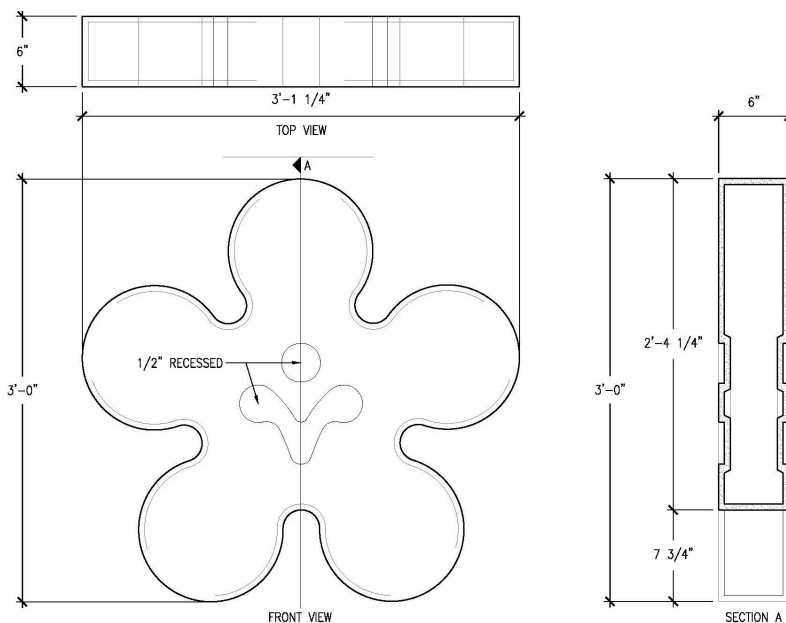
- Safe for everyone
- Different finishes for different looks
- Weather resistant for easy care
- Perfect for custom built playground concepts

Specifications

Dimensions:
37.25"L x 6"W x 36"H

Use Zone:
15'1.25"L x 12'6"W

Mounting Options:
See Typical
Installation Details



Contact Us

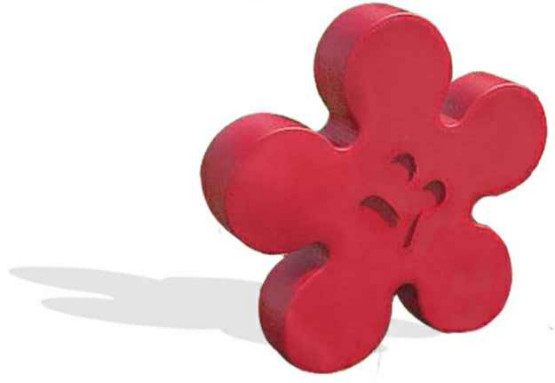
Ordering from The 4 Kids is easy, initial consultation & quote is free. We can also provide you with design ideas and conceptual drawings. We want your whole experience with The 4 Kids to be smooth & rewarding.

4400 Oneal St. Greenville, TX 75401

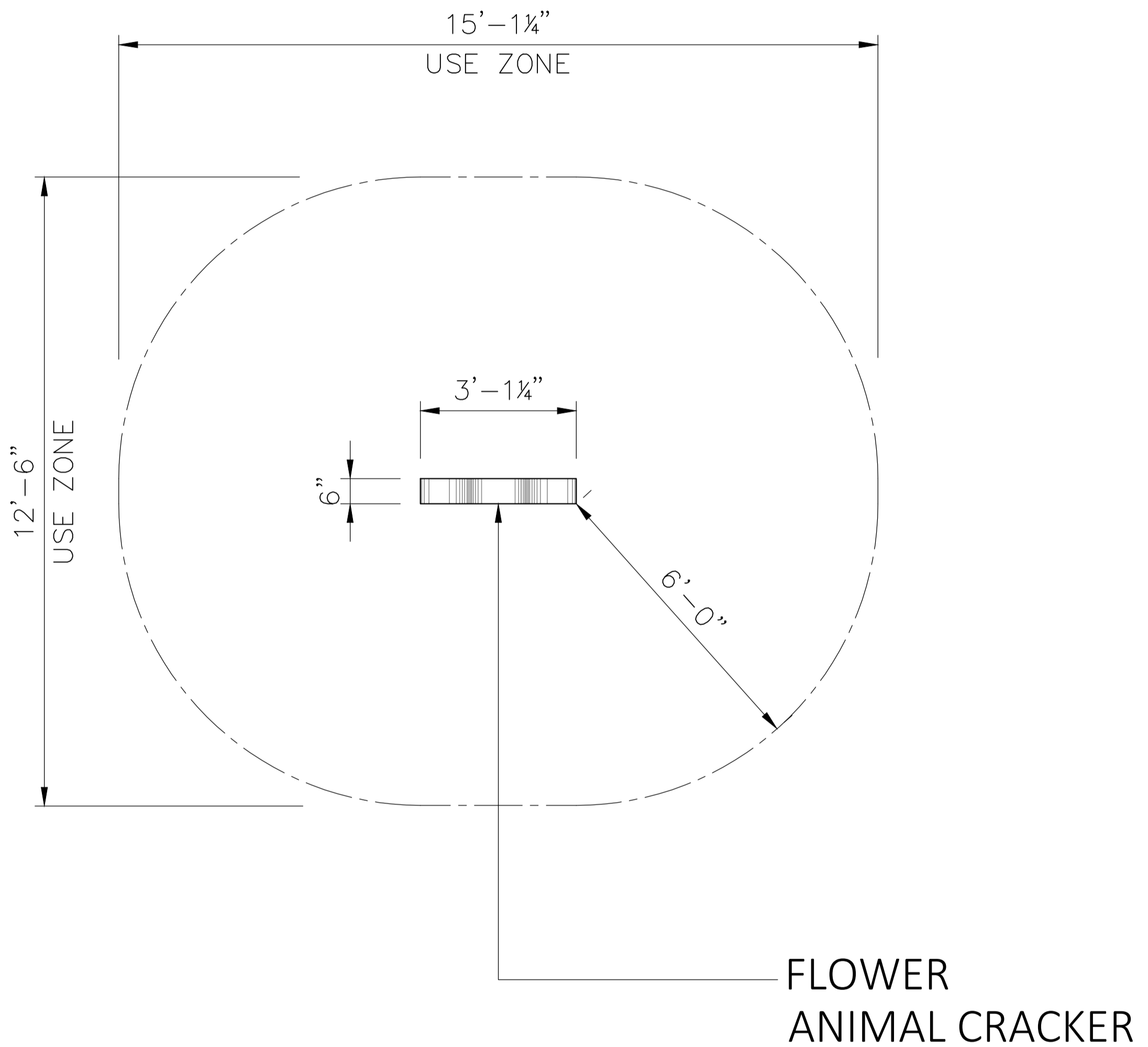
903.454.9237

info@the4kids.com

www.the4kids.com



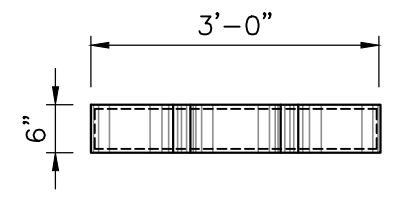
FLOWER ANIMAL CRACKER
37.25" X 6" X 36"



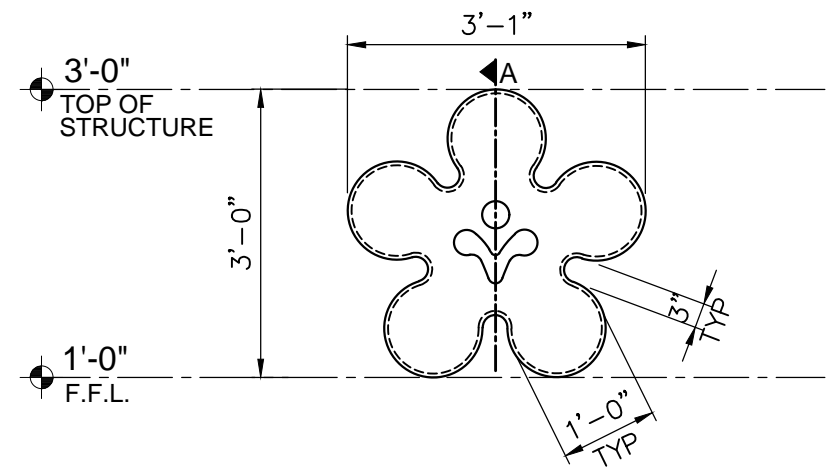
TOP VIEW

SCALE: 1/2" = 1'-0"

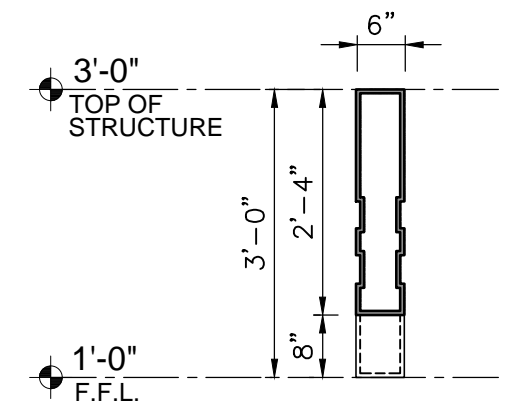
- * SUBJECT TO THE4KIDS ARTISTIC INTERPRETATION
- * CONCRETE FOUNDATION SHOWN FOR CONCEPT ONLY. FOR ACTUAL CONCRETE FOUNDATION SIZE AND REINFORCEMENT, CONSULT A LOCAL ENGINEER AND DESIGN PER LOCAL CODE AND SOIL CONDITION



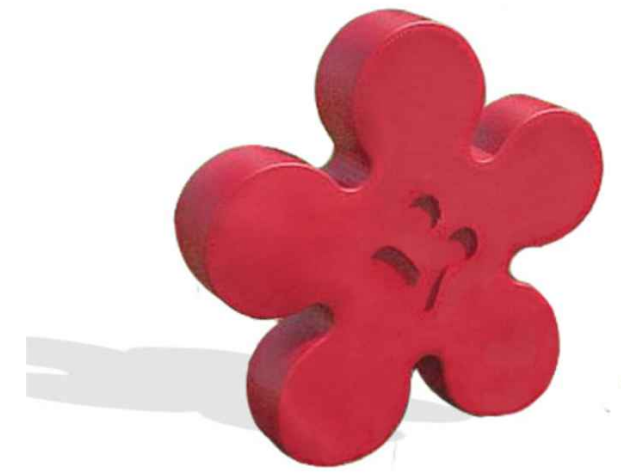
TOP VIEW
SCALE: 1/2" = 1'



FRONT VIEW
SCALE: 1/2" = 1'



SECTION A
SCALE: 1/2" = 1'



PRODUCT VIEW
SCALE: NTS

ALL RIGHTS RESERVED. THIS DRAWING IS PROPERTY OF THE 4 KIDS INC. AND MAY BE USED ONLY WHEN UTILIZING THE 4 KIDS INC. GENERAL TERMS AND CONDITIONS APPLY. THIS DETAIL MAY NOT APPLY TO ALL CONDITIONS.

ITEM ID: ANI107		MATERIAL: GFRP
MOLD	APX. TTL. WEIGHT	TOTAL # OF ITEM:
	- LBS.[- KG]	TOTAL SQ. FEET: - [- sqm.]

PROJECT: TITLE: FLOWER ANIMAL CRACKER REFERENCES:

THE 4 KIDS CUSTOM THEMED PLAYGROUNDS
 4400 ONEAL STREET, GREENVILLE, TX 75401 PHONE 903.454.9237 FAX 903.454.3642

TYPE DWG: FABRICATION	DRAWN BY: AS	DATE:
SCALE: AS NOTED	SHEET:	DWG. SHEET: