

Swan Animal Cracker



Elegant and delightful, the Swan Animal Cracker brightens any daycare, public playground or private play area. The Animal Cracker play sculptures by The 4 Kids are a unique entity in park and playground equipment with their simple designs, providing the complete play package. Kids learn and exercise, engaging in physical and mental play as they crawl, climb and balance their way through the day. Safe for everyone and pleasing to the eye, the Swan Animal Cracker improves any play area.

The 4 Kids was born out of a desire to create high quality, one-of-a-kind park shelters and play environments that effectively appeal to children's natural curiosity and imagination.

All of our products are custom designed to work perfectly with your unique playground. Let us know how we can meet your specific needs by contacting our knowledgeable design specialists, today.

Contact Us

Ordering from The 4 Kids is easy, initial consultation & quote is free.
We can also provide you with design ideas and conceptual drawings.
We want your whole experience with The 4 Kids to be smooth & rewarding.

4400 Oneal St. Greenville, TX 75401

903.454.9237

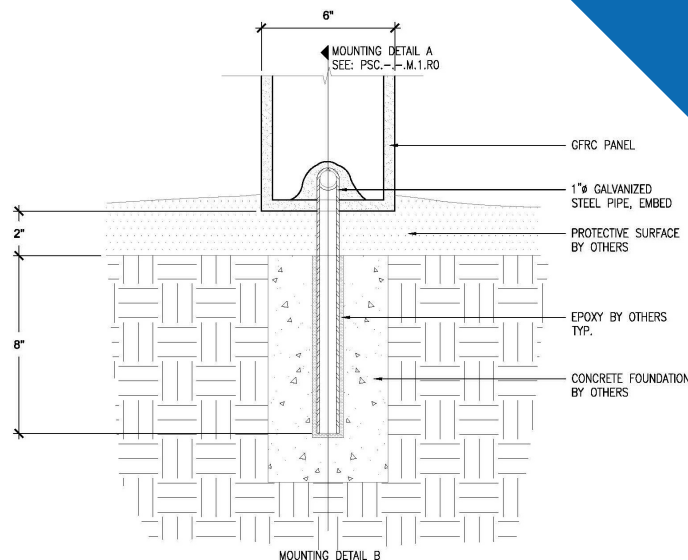
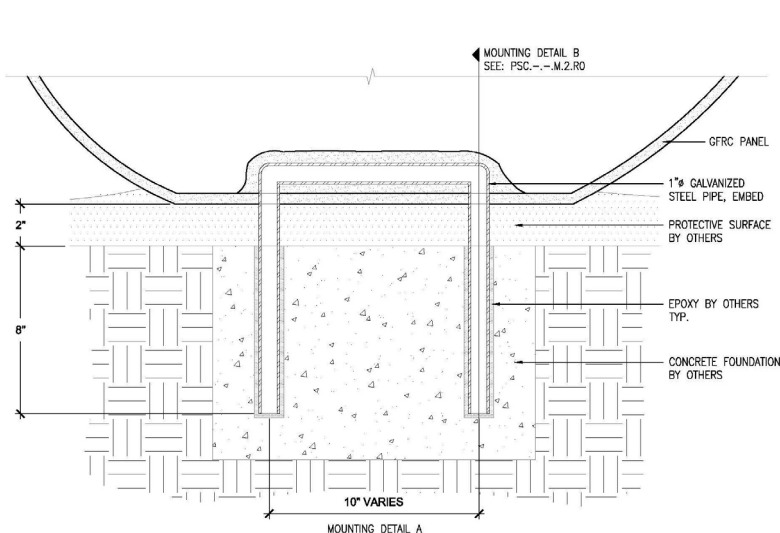
info@the4kids.com

www.the4kids.com

Let our team of experienced engineers and artists make your playground the destination for fun! We can create an exciting space where children's imaginations can run wild. A playscape where parents can feel secure and create lasting memories with their whole family.

Key Features

- Pick a bright color to complement your existing playground equipment
- Hours of fun-filled imaginative play
- Durable yet safe and easy to clean
- Best customer service in the industry



Specifications

Age Range:

2 - 5 years
5 - 12 years

Dimensions:

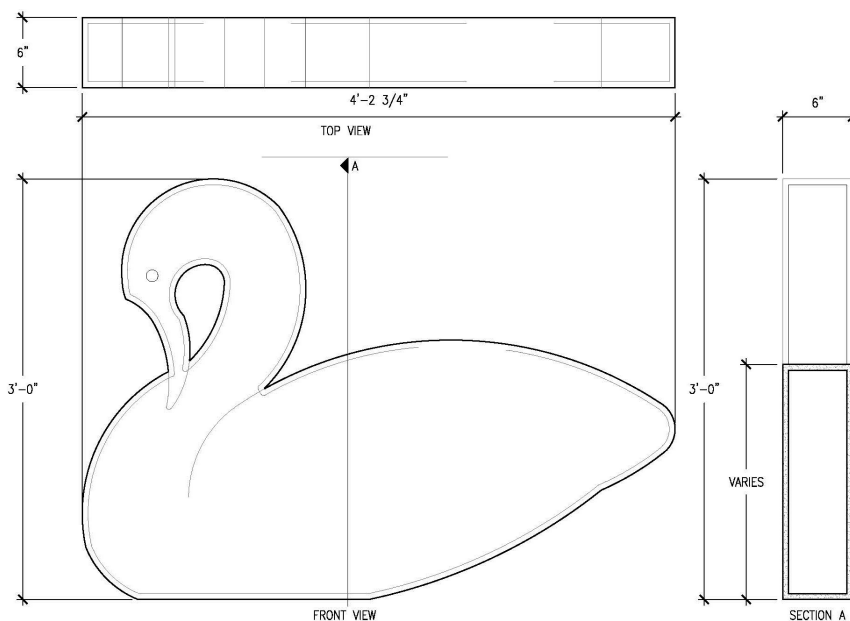
50.75"L x 6"W x 36"H

Use Zone:

16'3"L x 12'6"W

Mounting Options:

See Typical Installation Details



Contact Us

Ordering from The 4 Kids is easy, initial consultation & quote is free. We can also provide you with design ideas and conceptual drawings. We want your whole experience with The 4 Kids to be smooth & rewarding.

4400 Oneal St. Greenville, TX 75401

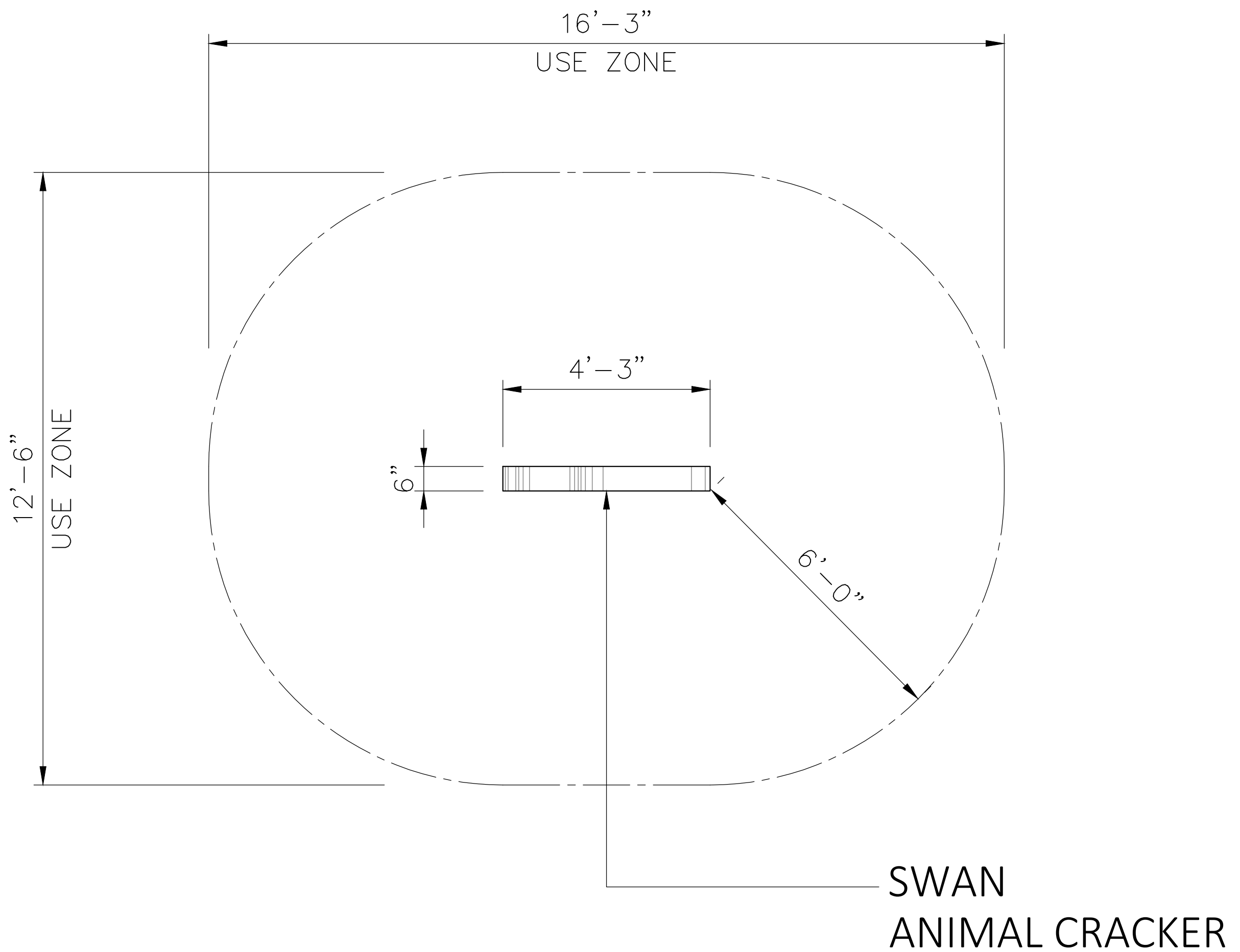
903.454.9237

info@the4kids.com

www.the4kids.com



SWAN ANIMAL CRACKER
50.75" X 6" X 36"



TOP VIEW

SCALE: 1/2" = 1'-0"