



Cow Animal Cracker



Get little ones moo-ving with this fun play climber. We've built our Animal Cracker play structures with rounded edges for safe play. Our Cow climber is crafted from durable material that will stand up to whatever kids and Mother Nature can dish out. Plus, the low maintenance material makes it a no-hassle addition to any play space, from a children's museum to a preschool playground. Add whimsy and fun with The 4 Kids Cow Animal Cracker--it's a cute climber for toddlers and elementary school kids.

The 4 Kids was born out of a desire to create high quality, one-of-a-kind park shelters and play environments that effectively appeal to children's natural curiosity and imagination.

All of our products are custom designed to work perfectly with your unique playground. Let us know how we can meet your specific needs by contacting our knowledgeable design specialists, today.

Contact Us

Ordering from The 4 Kids is easy, initial consultation & quote is free. We can also provide you with design ideas and conceptual drawings. We want your whole experience with The 4 Kids to be smooth & rewarding.

4400 Oneal St. Greenville, TX 75401

903.454.9237

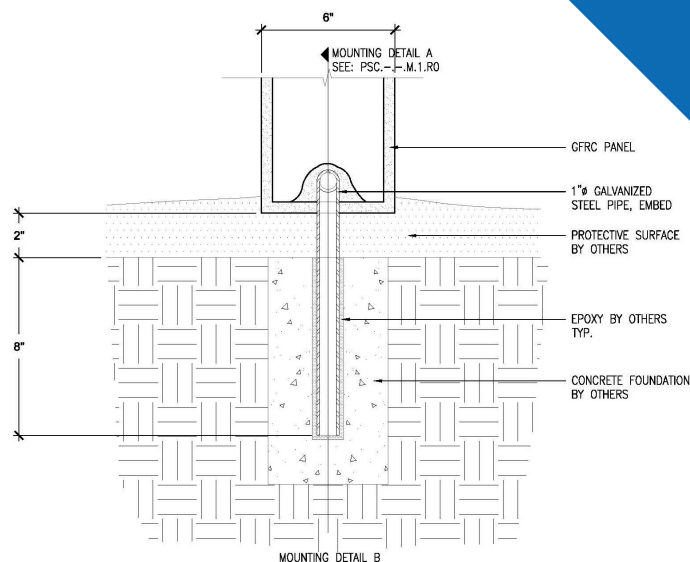
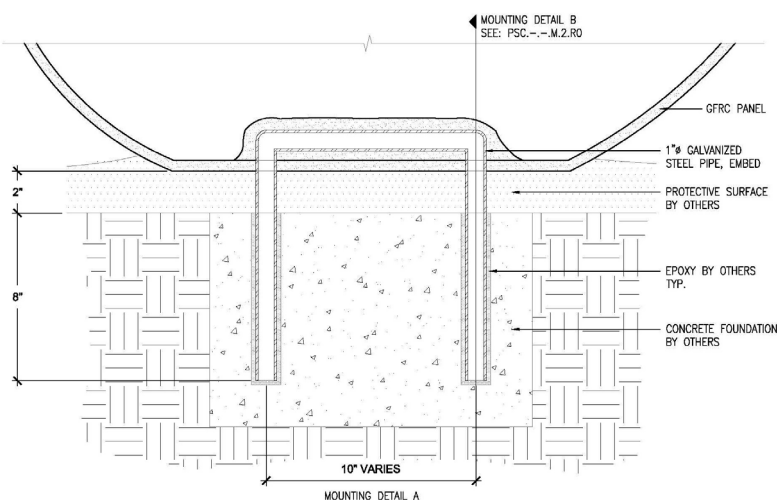
info@the4kids.com

www.the4kids.com

Let our team of experienced engineers and artists make your playground the destination for fun! We can create an exciting space where children's imaginations can run wild. A playscape where parents can feel secure and create lasting memories with their whole family.

Key Features

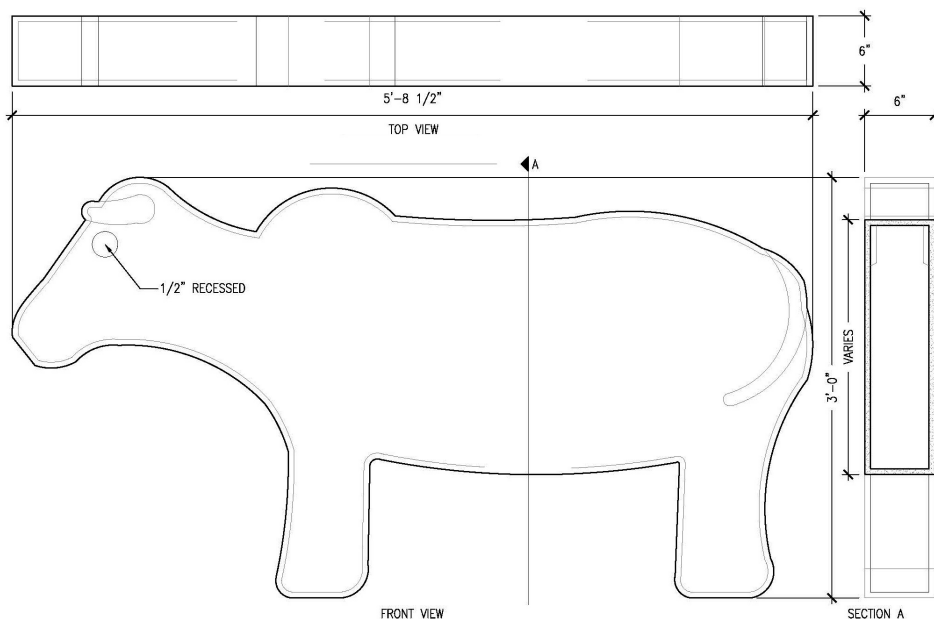
- Made using bold colors to attract kids and stand out
- Engineered to the highest safety standards
- Constructed for no-hassle maintenance
- Crafted with kid-tough, weather-resistant material
- Free initial quote--give us a call



Specifications

Use Zone:
17'8.5\"L x 12'6\"W

Mounting Options:
Installation Options



Contact Us

Ordering from The 4 Kids is easy, initial consultation & quote is free. We can also provide you with design ideas and conceptual drawings. We want your whole experience with The 4 Kids to be smooth & rewarding.

4400 Oneal St. Greenville, TX 75401

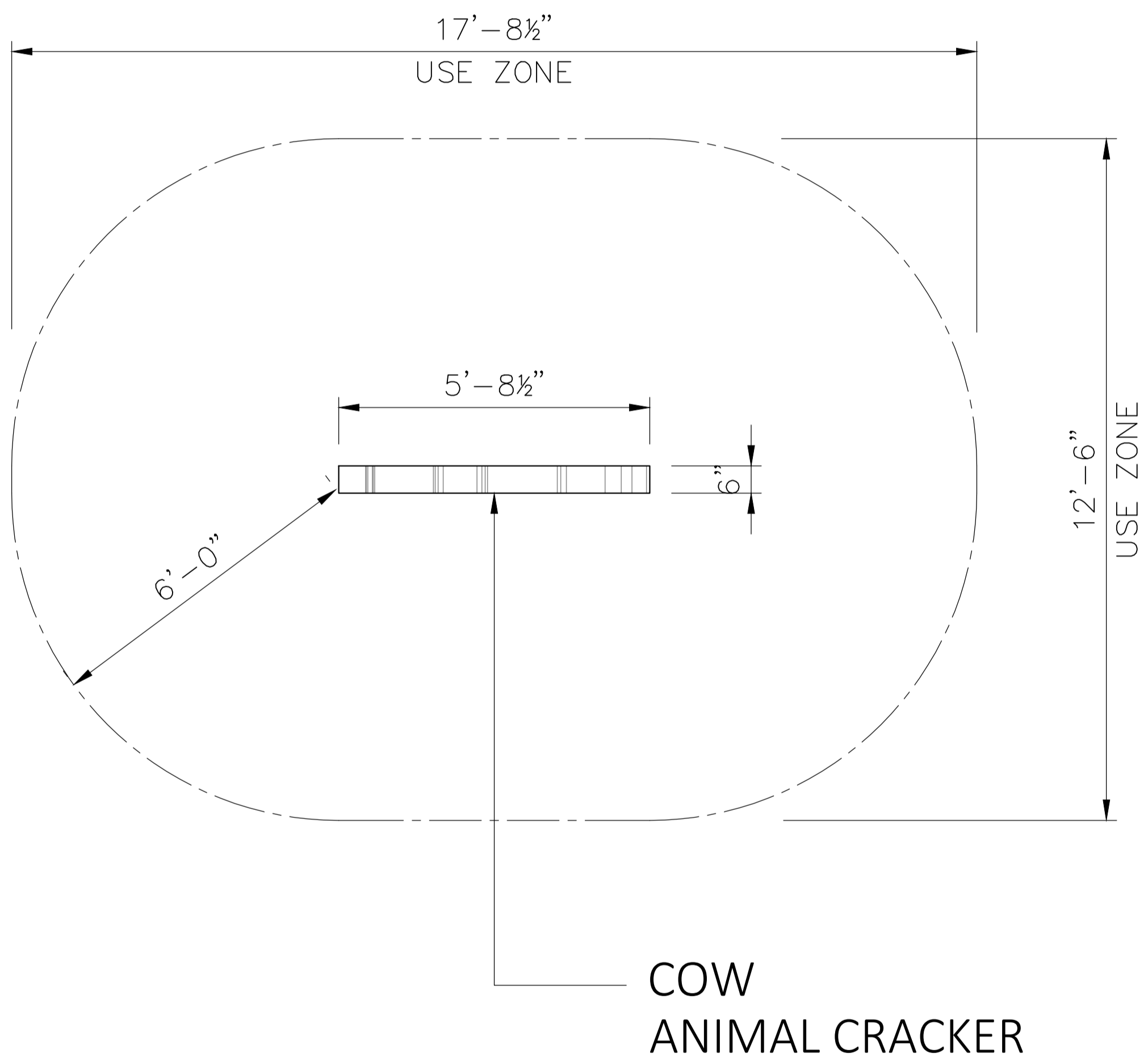
903.454.9237

info@the4kids.com

www.the4kids.com



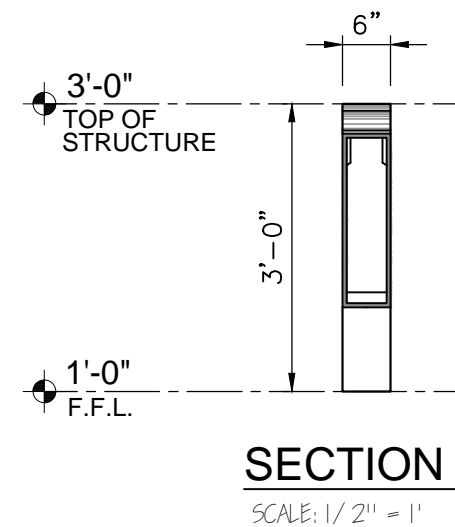
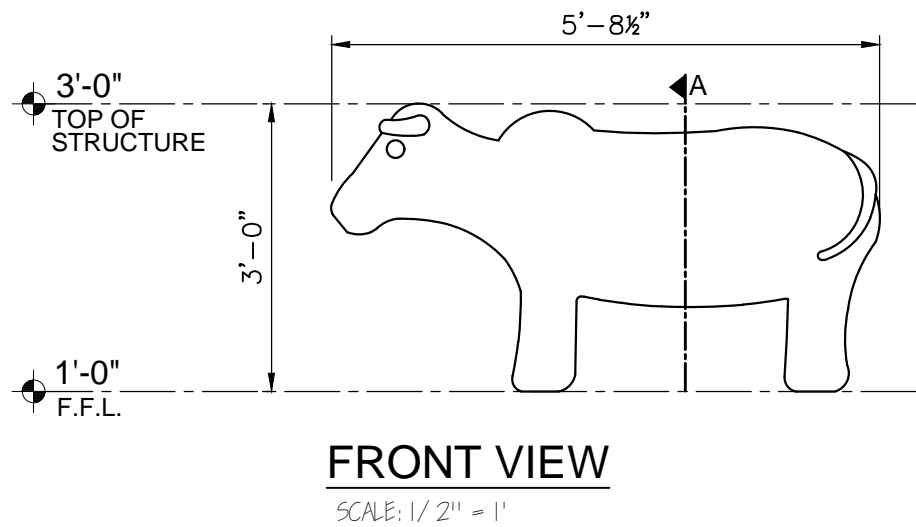
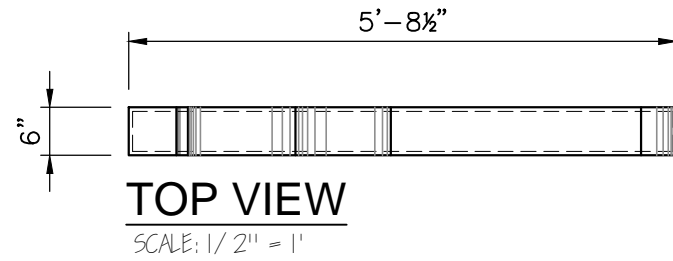
COW ANIMAL CRACKER
68.5" X 6" X 36"




TOP VIEW

SCALE: 1/2" = 1'-0"

* SUBJECT TO THE4KIDS ARTISTIC INTERPRETATION



PRODUCT VIEW
SCALE: NTS

PROJECT:	TITLE: COW ANIMAL CRACKER	ITEM ID: ANI114		MATERIAL: GFRP	
		MOLD	APX. TTL. WEIGHT	TOTAL # OF ITEM: -	
 ALL RIGHTS RESERVED. THIS DRAWING IS PROPERTY OF THE 4 KIDS INC. AND MAY BE USED ONLY WHEN UTILIZING THE 4 KIDS INC. GENERAL TERMS AND CONDITIONS APPLY. THIS DETAIL MAY NOT APPLY TO ALL CONDITIONS. 4400 ONEAL STREET, GREENVILLE, TX 75401 PHONE 903.454.9237 FAX 903.454.3642		-- LBS.	TOTAL SQ. FEET: - [- sqm.]		
		TYPE DWG: FABRICATION	DRAWN BY: ABS		DATE:
		SCALE: AS NOTED	SHEET:	DWG. SHEET: -	