

Antrim Bollard Planter



The Antrim Planter Bollard will accentuate your property with a sturdy vessel-type design that also adds an added layer of safety. Our team crafts this beautiful planter using glass fiber reinforced concrete (GFRC), a material originally engineered for architectural products. You can count on this bollard to help protect property and pedestrians, so it's ideal for shopping areas, restaurants, museums, and office or residential buildings. We offer several finish options, including a bronze finish that can be customized to the brightness level you prefer. This design also delivers a low-maintenance finish and no-hassle installation.

The 4 Kids was born out of a desire to create high quality, one-of-a-kind park shelters and play environments that effectively appeal to children's natural curiosity and imagination.

All of our products are custom designed to work perfectly with your unique playground. Let us know how we can meet your specific needs by contacting our knowledgeable design specialists, today.

Contact Us

Ordering from The 4 Kids is easy, initial consultation & quote is free.
We can also provide you with design ideas and conceptual drawings.
We want your whole experience with The 4 Kids to be smooth & rewarding.

4400 Oneal St. Greenville, TX 75401

903.454.9237

info@the4kids.com

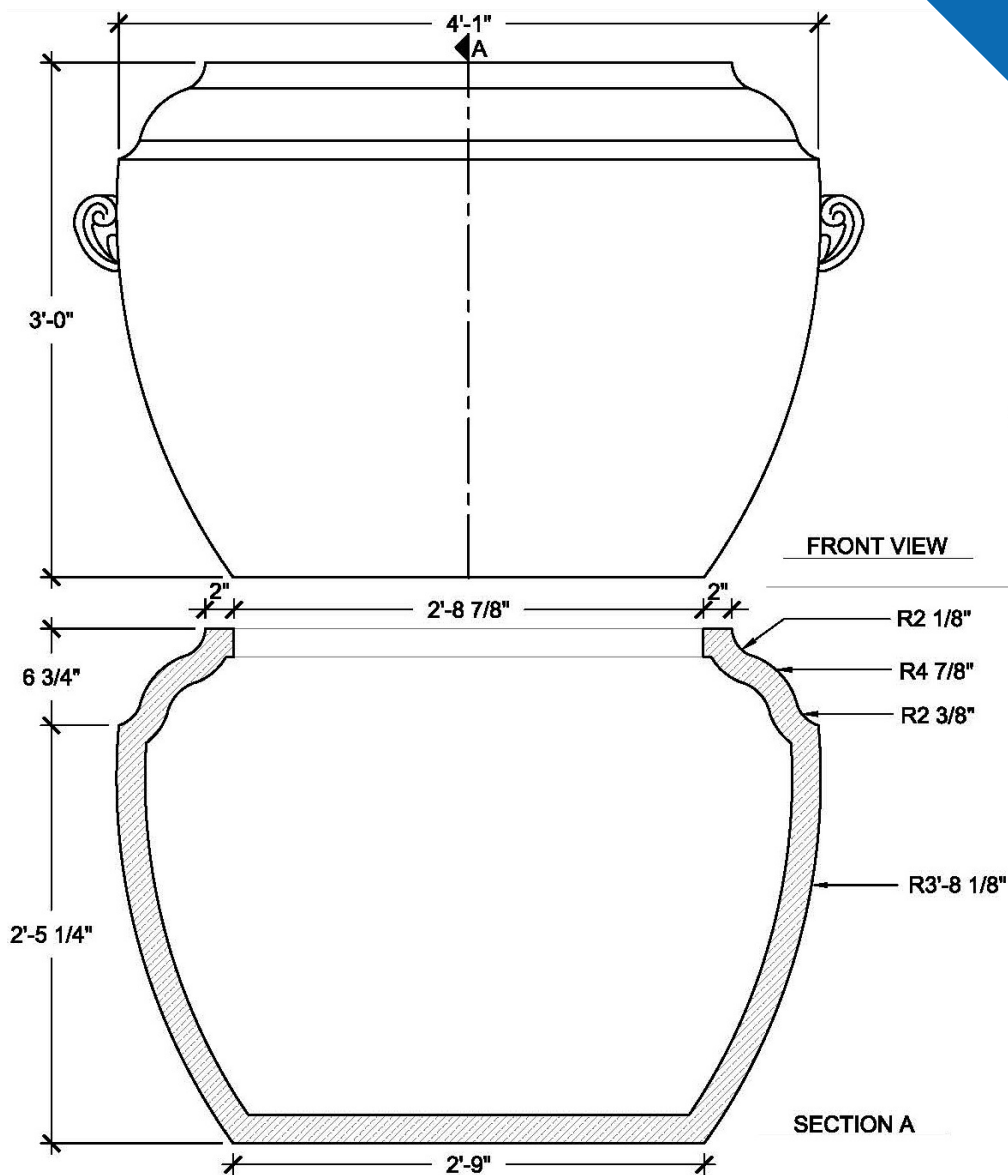
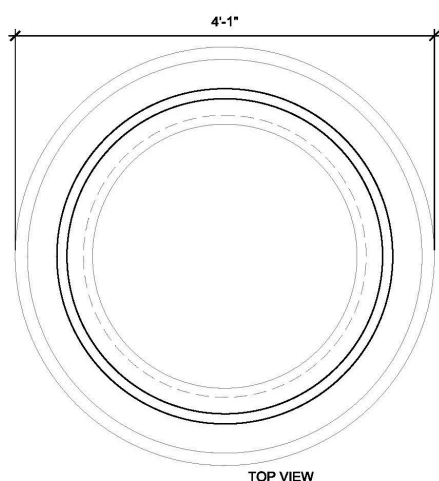
www.the4kids.com

Why Use Us?

Let our team of experienced engineers and artists make your playground the destination for fun! We can create an exciting space where children's imaginations can run wild. A playscape where parents can feel secure and create lasting memories with their whole family.

Key Features

- Variety of color options available
- Fully customizable size
- Customer service team with 30+ years of site amenity experience
- No-cost, no-obligation consultation and quote



Specifications

Age Range:
N/A

Dimensions:
49\"L x 49\"W x 36\"H

Use Zone:
N/A

Mounting Options:
See Typical
Installation Details

SIZE CHART

NAME	HEIGHT	WIDTH
SBOP 042.1	2'-0"	2'-8"
SBOP 042.2	2'-6"	3'-5"
SBOP 042.3	3'-0"	4'-1"
SBOP 042.4	3'-6"	4'-9"
SBOP 042.5	4'-0"	5'-5"

Contact Us

Ordering from The 4 Kids is easy, initial consultation & quote is free. We can also provide you with design ideas and conceptual drawings. We want your whole experience with The 4 Kids to be smooth & rewarding.

4400 Oneal St. Greenville, TX 75401

903.454.9237

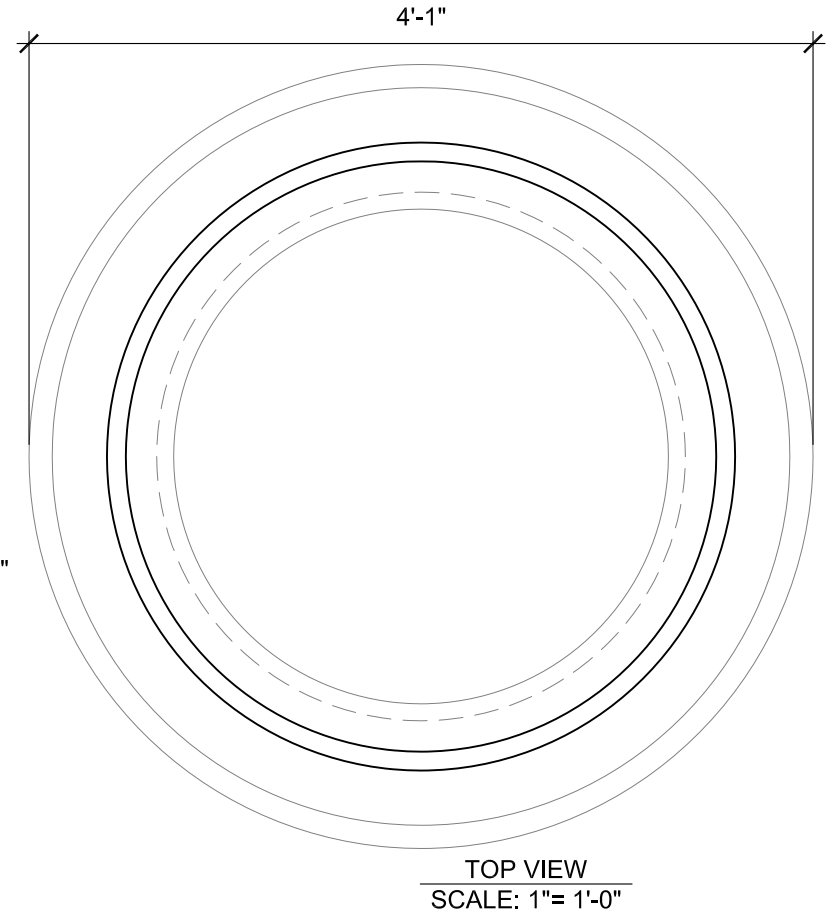
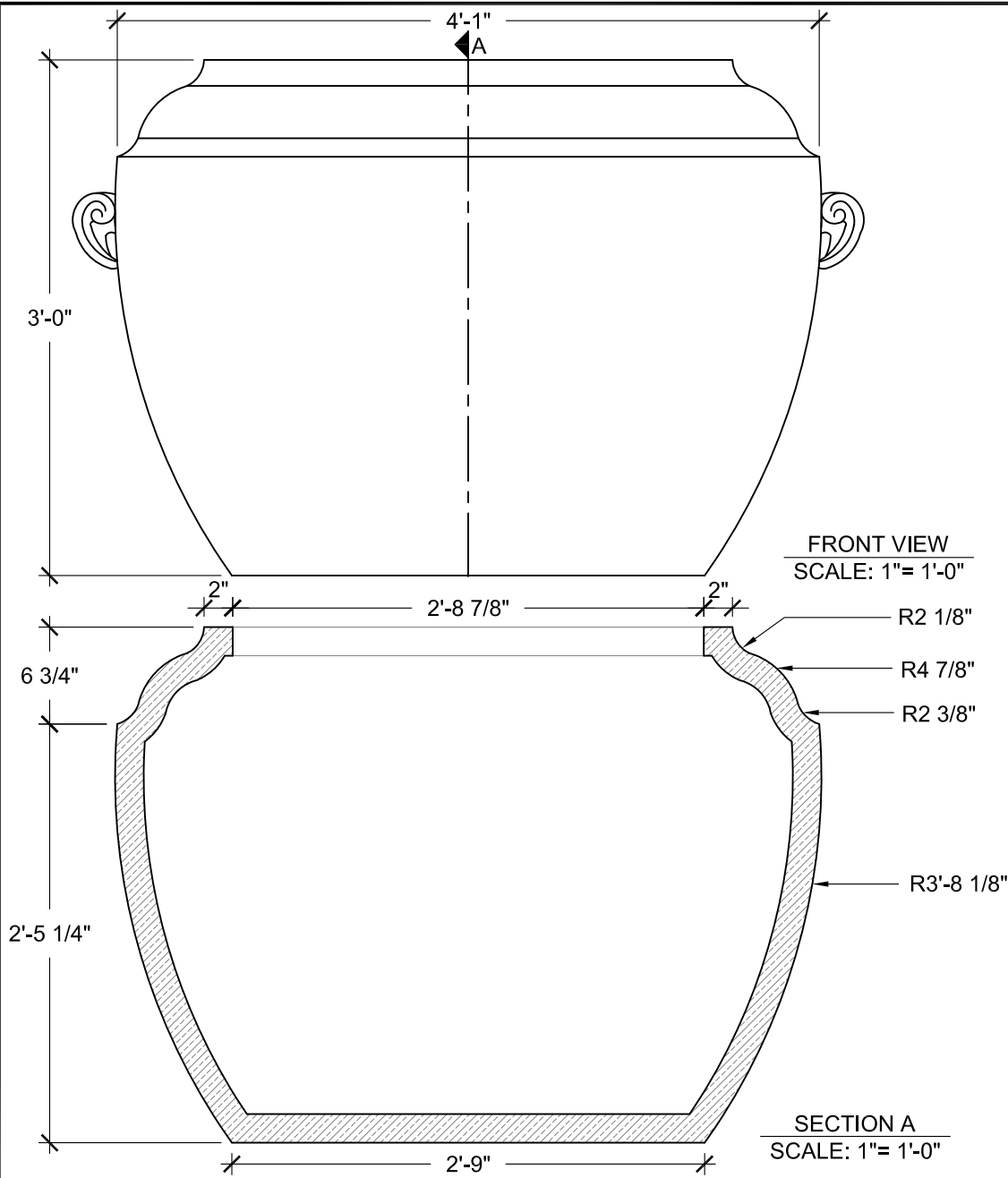
info@the4kids.com

www.the4kids.com

© 2014 The 4 Kids Inc. All rights reserved.

SIZE CHART

NAME	HEIGHT	WIDTH
SBOP 042.1	2'-0"	2'-8"
SBOP 042.2	2'-6"	3'-5"
SBOP 042.3	3'-0"	4'-1"
SBOP 042.4	3'-6"	4'-9"
SBOP 042.5	4'-0"	5'-5"



ALL RIGHTS RESERVED. THIS DRAWING IS PROPERTY OF THE 4 KIDS INC. AND MAY BE USED ONLY WHEN UTILIZING THE 4 KIDS PRODUCTS. THE 4 KIDS INC. GENERAL TERMS AND CONDITIONS APPLY AND ARE INCORPORATE HERE IN BY REFERENCE. THIS DETAIL MAY NOT APPLY TO ALL CONDITIONS AND CONSTRUCTION SITUATIONS.



CUSTOM THEMED PLAYGROUNDS

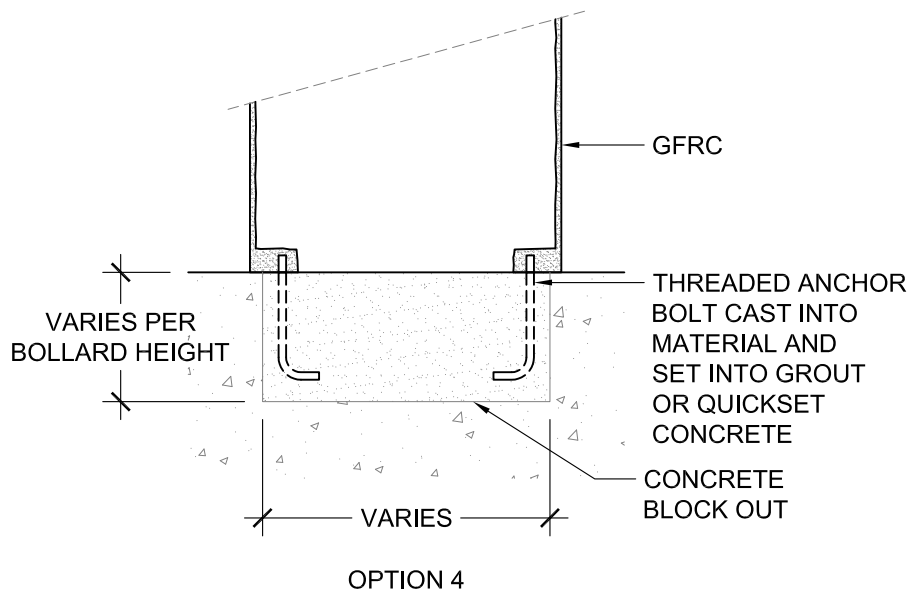
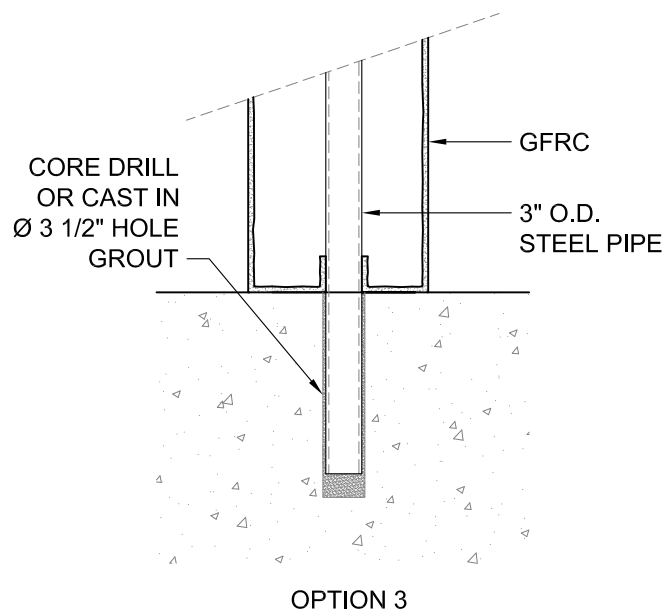
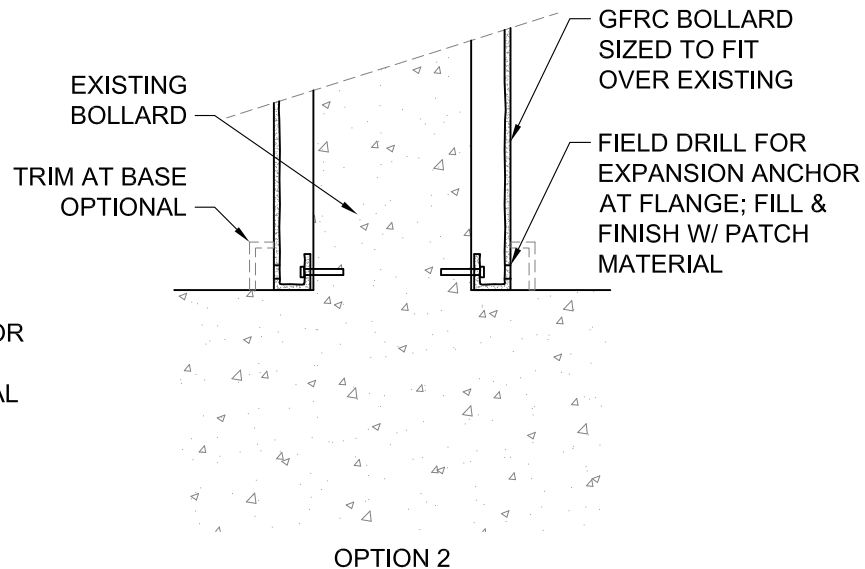
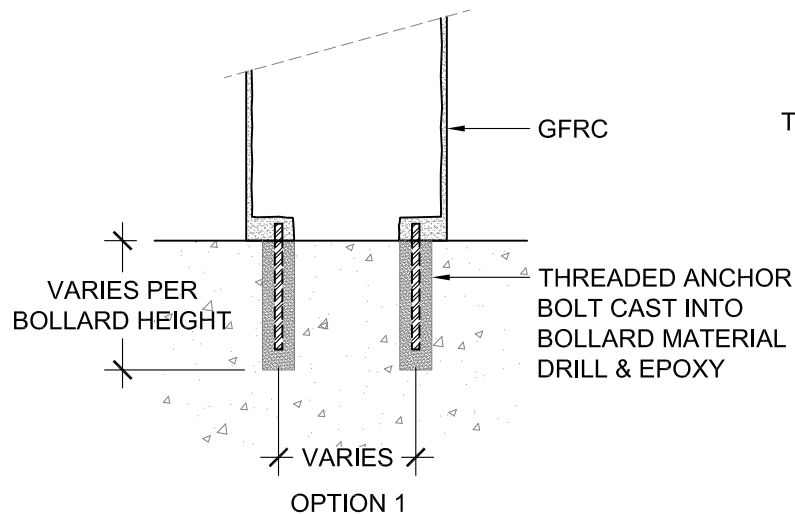
4400 ONEAL STREET, GREENVILLE, TX 75401 PHONE 903.454.9237 FAX 903.454.3642

TITLE: ANTRIM BOLLARD PLANTER

TYPE DWG: BOLLARD

SCALE: AS NOTED

DWG. SHEET: **SBOP-042**



ALL RIGHTS RESERVED. THIS DRAWING IS PROPERTY OF THE 4 KIDS INC. AND MAY BE USED ONLY WHEN UTILIZING THE 4 KIDS PRODUCTS. THE 4 KIDS INC. GENERAL TERMS AND CONDITIONS APPLY AND ARE INCORPORATE HERE IN BY REFERENCE. THIS DETAIL MAY NOT APPLY TO ALL CONDITIONS AND CONSTRUCTION SITUATIONS.



CUSTOM THEMED PLAYGROUNDS

4400 ONEAL STREET, GREENVILLE, TX 75401 PHONE 903.454.9237 FAX 903.454.3642

TITLE: BOLLARD

TYPE DWG: MOUNTING

SCALE: AS NOTED

DWG. SHEET: **SBSP-M1**