

# Aransas Pergola



This Aransas Pergola is stunning. With its A line roofing slatted for the perfect amount of shade. This nature themed pergola measures 36'3"L x 8'3"W x 11'9"H and is ideal for botanical gardens, zoos, patios and parks. Crafted using glass fiber reinforced concrete makes it a long lasting and weather resistant pergola. Top this piece with blooming wisteria and you've got a beautiful shade piece. Don't see what you are looking for? Call us today and let us help you customize a pergola to meet your needs!

The 4 Kids was born out of a desire to create high quality, one-of-a-kind park shelters and play environments that effectively appeal to children's natural curiosity and imagination.

All of our products are custom designed to work perfectly with your unique playground. Let us know how we can meet your specific needs by contacting our knowledgeable design specialists, today.

## Contact Us

Ordering from The 4 Kids is easy, initial consultation & quote is free. We can also provide you with design ideas and conceptual drawings. We want your whole experience with The 4 Kids to be smooth & rewarding.

4400 Oneal St. Greenville, TX 75401

903.454.9237

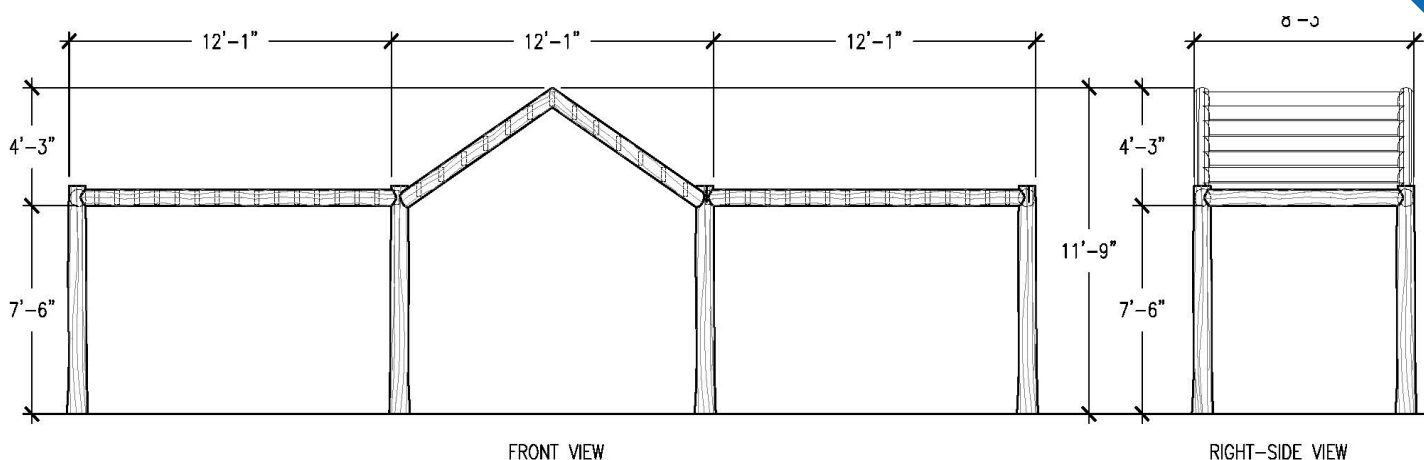
[info@the4kids.com](mailto:info@the4kids.com)

[www.the4kids.com](http://www.the4kids.com)

Let our team of experienced engineers and artists make your playground the destination for fun! We can create an exciting space where children's imaginations can run wild. A playscape where parents can feel secure and create lasting memories with their whole family.

**Key Features**

- Guide the natural vegetation into a display
- Offer protection against the elements for your guests
- Sturdy, long-lasting materials can bear the weight of heavy vines
- Many options in finishes and colors



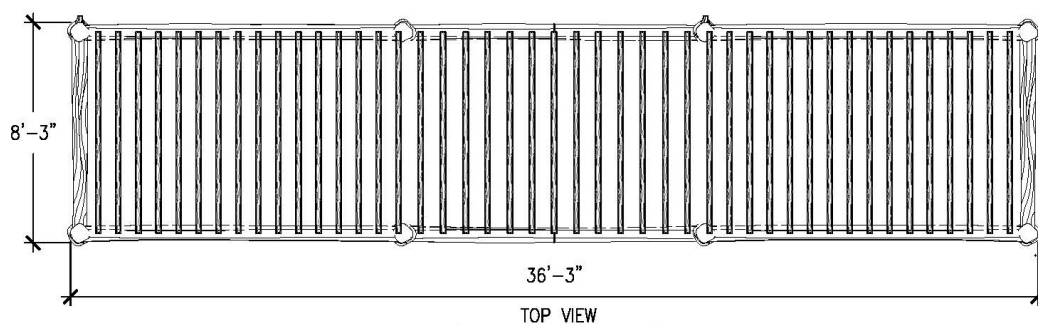
**Specifications**

**Age Range:**  
N/A

**Dimensions:**  
36'3"L x 8'3"W x 11'9"H

**Use Zone:**  
N/A

**Mounting Options:**  
Installation Option 1  
Installation Option 2



**Contact Us**

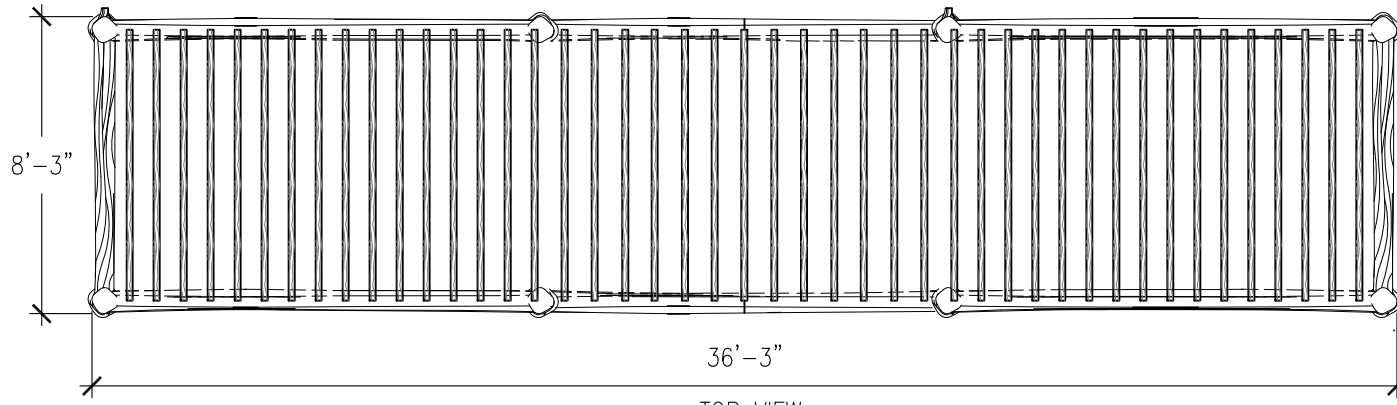
Ordering from The 4 Kids is easy, initial consultation & quote is free. We can also provide you with design ideas and conceptual drawings. We want your whole experience with The 4 Kids to be smooth & rewarding.

4400 Oneal St. Greenville, TX 75401

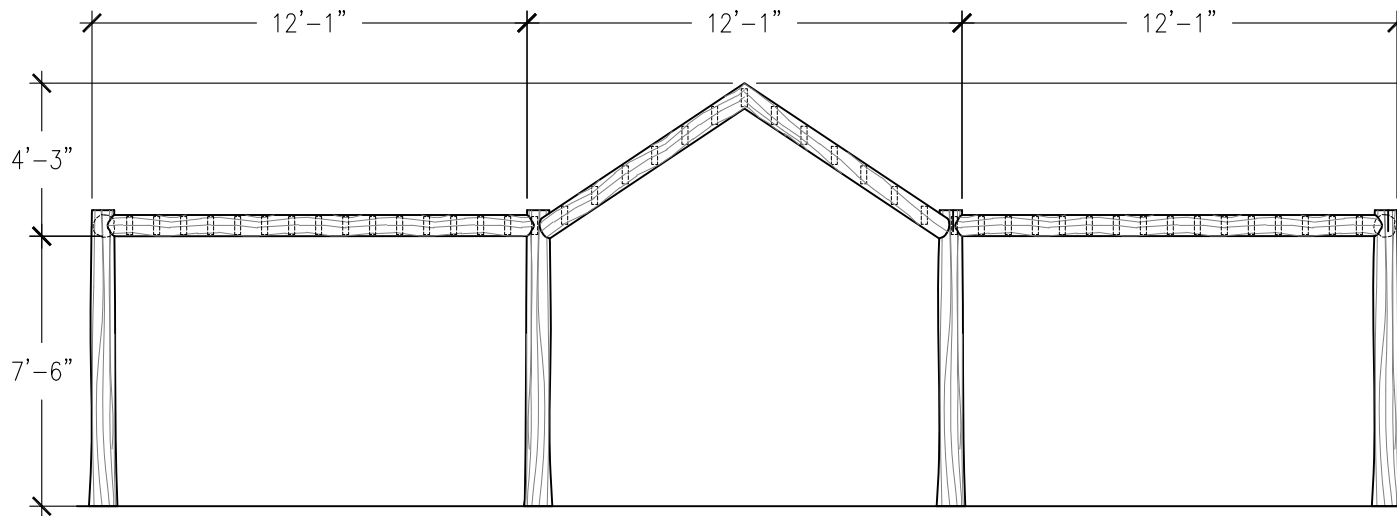
903.454.9237

info@the4kids.com

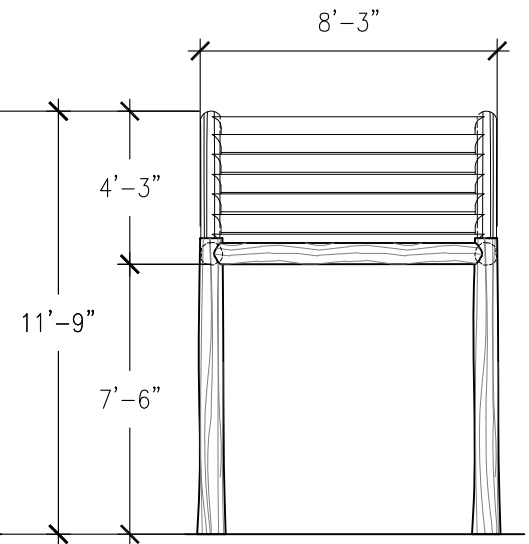
www.the4kids.com



TOP VIEW  
SCALE: 3/16" = 1'-0"



FRONT VIEW  
SCALE: 3/16" = 1'-0"



RIGHT-SIDE VIEW  
SCALE: 3/16" = 1'-0"

ALL RIGHTS RESERVED. THIS DRAWING IS PROPERTY OF THE 4 KIDS INC. AND MAY BE USED ONLY WHEN UTILIZING THE 4 KIDS PRODUCTS. THE 4 KIDS INC. GENERAL TERMS AND CONDITIONS APPLY AND ARE INCORPORATE HERE IN BY REFERENCE. THIS DETAIL MAY NOT APPLY TO ALL CONDITIONS AND CONSTRUCTION SITUATIONS.



**CUSTOM THEMED PLAYGROUNDS**

4400 ONEAL STREET, GREENVILLE, TX 75401 PHONE 903.454.9237 FAX 903.454.3642

TITLE: ARANSAS PERGOLA

TYPE DWG: DETAIL

SCALE: AS NOTED

DWG. SHEET: **PER106**