



4ft Olmec Head Climber



Want an exciting, creative way to increase the fun factor at the park or playground? How about adding a touch of adventure with an Olmec Head climber from The 4 Kids? This climber is perfect for playgrounds, family centers, casinos and theme parks. Custom designed in a selection of finishes, this climber is sure to thrill and delight the kids on the playground. Especially for all ages, the Olmec Head climber is safe and durable. Ideal for an Archaeological Adventure themed venue, this unique play structure is an ancient piece for all to enjoy. The Olmec can also be featured as a fountain for kids at splash parks.

The 4 Kids was born out of a desire to create high quality, one-of-a-kind park shelters and play environments that effectively appeal to children's natural curiosity and imagination.

All of our products are custom designed to work perfectly with your unique playground. Let us know how we can meet your specific needs by contacting our knowledgeable design specialists, today.

Contact Us

Ordering from The 4Kids is easy, initial consultation & quote is free.
We can also provide you with design ideas and conceptual drawings.
We want your whole experience with The 4 Kids to be smooth & rewarding.

4400 Oneal St. Greenville, TX 75401

903.454.9237

info@the4kids.com

www.the4kids.com

Why Use Us?

Let our team of experienced engineers and artists make your playground the destination for fun! We can create an exciting space where children's imaginations can run wild. A playscape where parents can feel secure and create lasting memories with their whole family.

Key Features

- Customized designs, including color and finish
- Unique, fun and educational playground structures
- Perfect for indoor or outdoor play areas
- Safe, secure and superior construction
- Can be made into a water park feature



Specifications

Use Zone:
14'10" X 14'4"

Mounting Options:
Installation Options



Contact Us

Ordering from The 4 Kids is easy, initial consultation & quote is free. We can also provide you with design ideas and conceptual drawings. We want your whole experience with The 4 Kids to be smooth & rewarding.

4400 Oneal St. Greenville, TX 75401

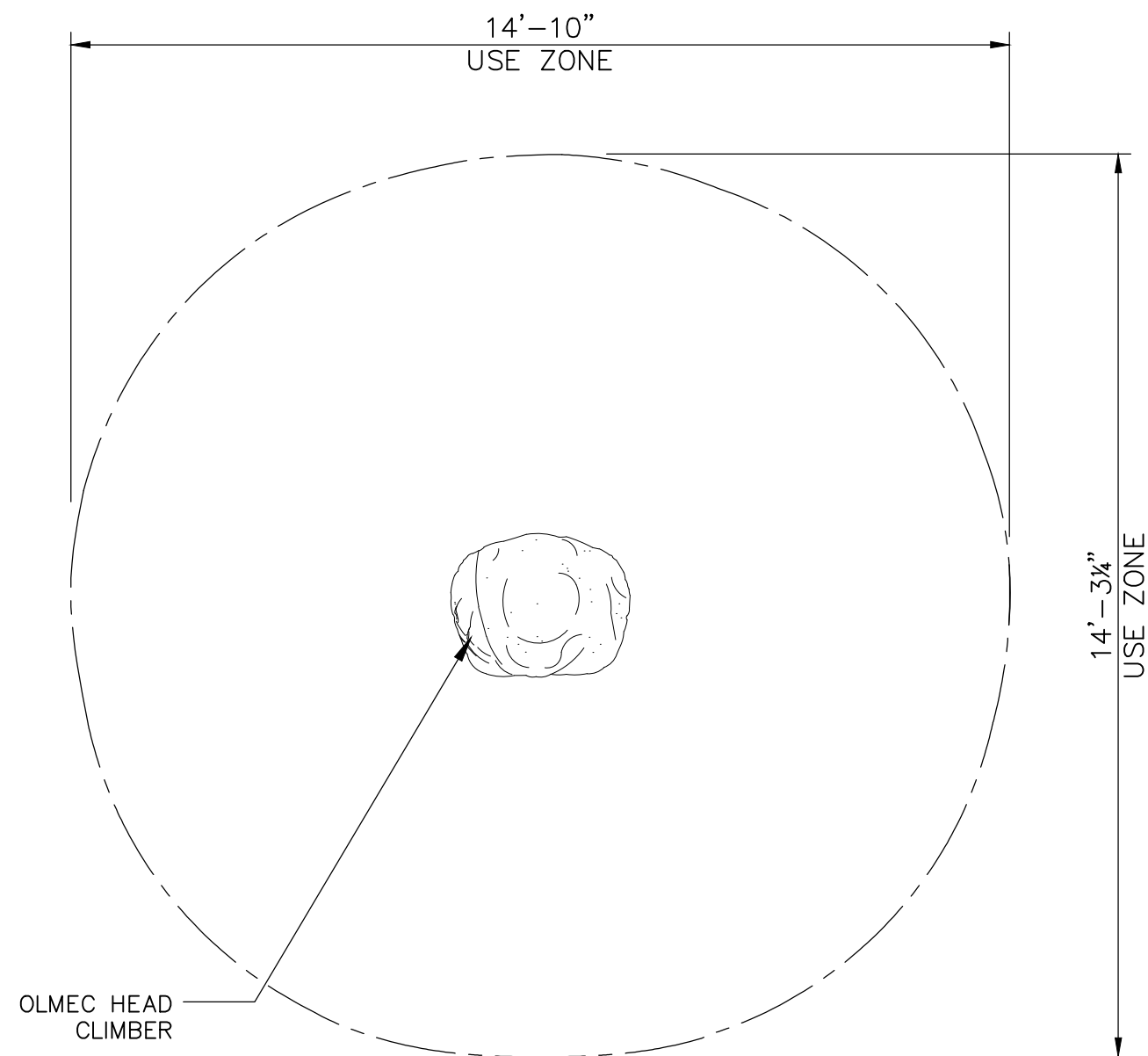
903.454.9237

info@the4kids.com

www.the4kids.com


© 2014 The 4 Kids Inc. All rights reserved.

* SUBJECT TO THE4KIDS ARTISTIC INTERPRETATION

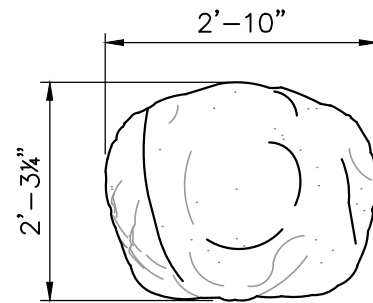


USE ZONE

SCALE: 1/2" = 1'

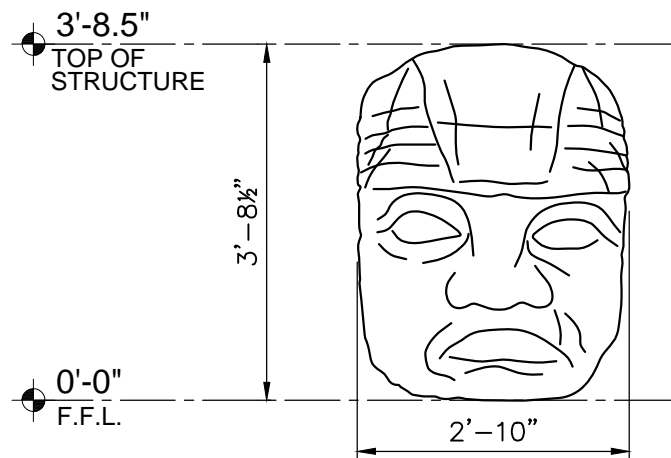
PROJECT:	TITLE: 4FT OLMEC HEAD CLIMBER USE ZONE	ITEM ID: ARC102		MATERIAL: GFRP
		MOLD	APX. TTL. WEIGHT	TOTAL # OF ITEM: -
		-- LBS.		TOTAL SQ. FEET: - [- sqm.]
 ALL RIGHTS RESERVED. THIS DRAWING IS PROPERTY OF THE 4 KIDS INC. AND MAY BE USED ONLY WHEN UTILIZING THE 4 KIDS INC. GENERAL TERMS AND CONDITIONS APPLY. THIS DETAIL MAY NOT APPLY TO ALL CONDITIONS. 4400 ONEAL STREET, GREENVILLE, TX 75401 PHONE 903.454.9237 FAX 903.454.3642		TYPE DWG: FABRICATION		DRAWN BY: ABS
		SCALE: AS NOTED		SHEET:
		DWG. SHEET: -		

* SUBJECT TO THE4KIDS ARTISTIC INTERPRETATION



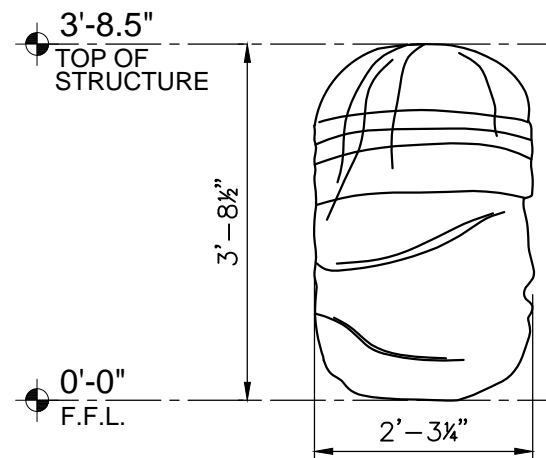
PLAN

SCALE: 1/2" = 1'



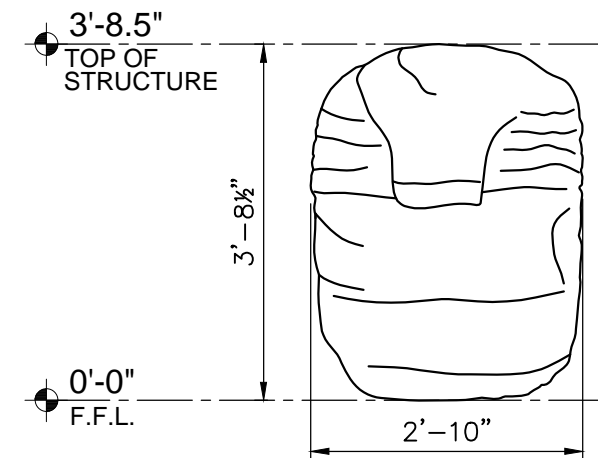
FRONT ELEVATION

SCALE: 1/2" = 1'




SIDE ELEVATION

SCALE: 1/2" = 1'



REAR ELEVATION

SCALE: 1/2" = 1'

PROJECT:	TITLE:	ITEM ID: ARC102		MATERIAL: GFRP
	4FT OLMEC HEAD CLIMBER	MOLD	APX. TTL. WEIGHT	TOTAL # OF ITEM: -
 <p>ALL RIGHTS RESERVED. THIS DRAWING IS PROPERTY OF THE 4 KIDS INC. AND MAY BE USED ONLY WHEN UTILIZING THE 4 KIDS INC. GENERAL TERMS AND CONDITIONS APPLY. THIS DETAIL MAY NOT APPLY TO ALL CONDITIONS. 4400 ONEAL STREET, GREENVILLE, TX 75401 PHONE 903.454.9237 FAX 903.454.3642</p>		-- LBS.	TOTAL SQ. FEET: - [- sqm.]	
		TYPE DWG: FABRICATION	DRAWN BY: ABS	DATE:
		SCALE: AS NOTED	SHEET:	DWG. SHEET: -