



# Arches Pavilion

---

---



Arched and simple, The 4 Kids' Arches Pavilion is an interesting design that brings together the charm of a woodland glade with an expertly crafted shelter. An arched roof supported by log inspired posts, the Arches Pavilion is custom made according to client preferences, and provides a perfect shady shelter for nature themed parks and outdoor recreational areas. For picnics, get togethers or an inviting place to rest and read, the Arches Pavilion is a superior design with high quality construction materials that is safe and virtually maintenance free. The Arches Pavilion lends itself beautifully for many applications, including waiting areas for trolleys and tour buses, even a venue for events of all types.

The 4 Kids was born out of a desire to create high quality, one-of-a-kind park shelters and play environments that effectively appeal to children's natural curiosity and imagination.

All of our products are custom designed to work perfectly with your unique playground. Let us know how we can meet your specific needs by contacting our knowledgeable design specialists, today.

## Contact Us

Ordering from The 4 Kids is easy, initial consultation & quote is free.  
We can also provide you with design ideas and conceptual drawings.  
We want your whole experience with The 4 Kids to be smooth & rewarding.

4400 Oneal St. Greenville, TX 75401

903.454.9237

[info@the4kids.com](mailto:info@the4kids.com)

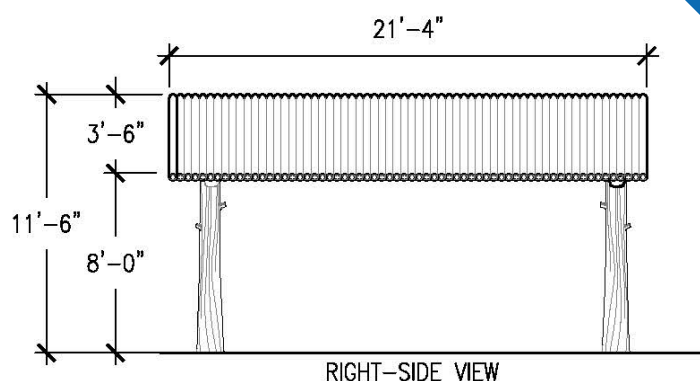
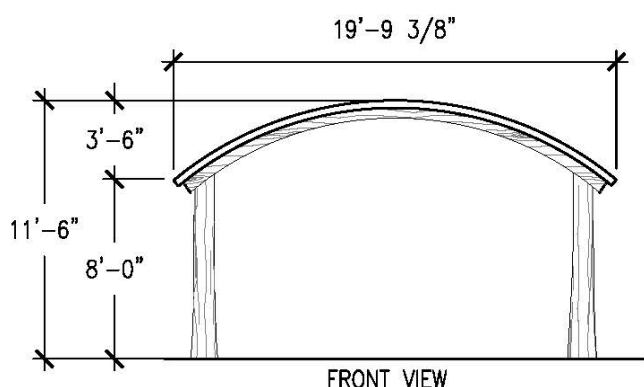
[www.the4kids.com](http://www.the4kids.com)

## Why Use Us?

Let our team of experienced engineers and artists make your playground the destination for fun! We can create an exciting space where children's imaginations can run wild. A playscape where parents can feel secure and create lasting memories with their whole family.

## Key Features

- Customized designs
- Choice of five finishes
- Safe with low maintenance
- Multi use, quality design
- Free quote



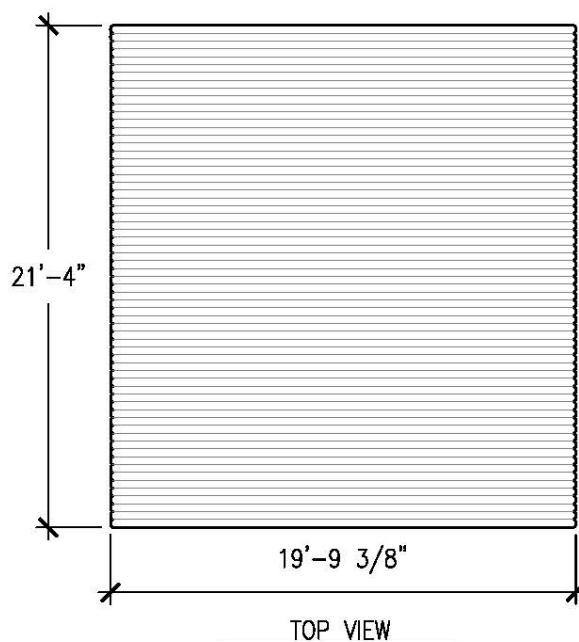
## Specifications

**Age Range:**  
N/A

**Dimensions:**  
21'4" x 19'9.5" x 11'6"

**Play Area:**  
N/A

**Mounting Options:** See  
Typical  
Installation Details



## Contact Us

Ordering from The 4 Kids is easy, initial consultation & quote is free. We can also provide you with design ideas and conceptual drawings. We want your whole experience with The 4 Kids to be smooth & rewarding.

4400 Oneal St. Greenville, TX 75401

903.454.9237

info@the4kids.com

www.the4kids.com

© 2014 The 4 Kids Inc. All rights reserved.