



Ardoran Illuminated Bollard



When your project requires a bollard that's not blah, choose the Ardoran Illuminated Bollard. The 4 Kids designers crafted this security post to add visual appeal that gets noticed. The curving lines and glowing illumination make this a cool fit for office complexes, residential developments, schools, attractions, and more. But there's more than eye appeal to the Ardoran. It's engineered to be strong and durable, resisting impact and weather. Like the rest of our extensive bollard line, it's relatively lightweight and offers no hassle maintenance.

The 4 Kids was born out of a desire to create high quality, one-of-a-kind park shelters and play environments that effectively appeal to children's natural curiosity and imagination.

All of our products are custom designed to work perfectly with your unique playground. Let us know how we can meet your specific needs by contacting our knowledgeable design specialists, today.

Contact Us

Ordering from The 4 Kids is easy, initial consultation & quote is free.
We can also provide you with design ideas and conceptual drawings.
We want your whole experience with The 4 Kids to be smooth & rewarding.

4400 Oneal St. Greenville, TX 75401

903.454.9237

info@the4kids.com

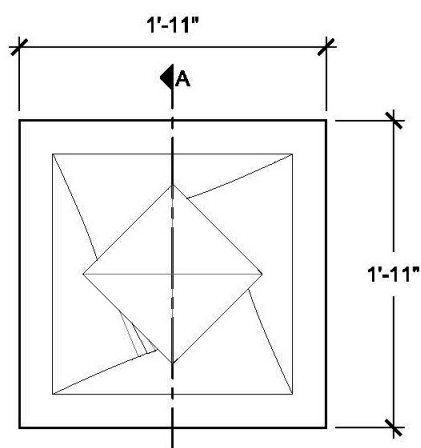
www.the4kids.com

Why Use Us?

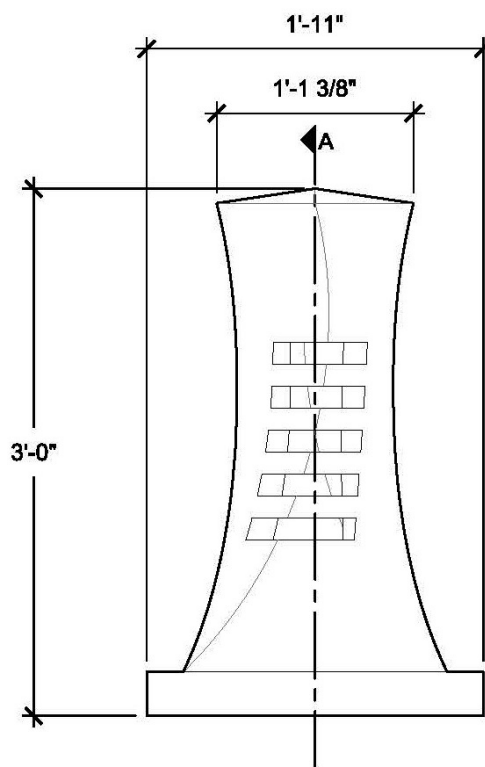
Let our team of experienced engineers and artists make your playground the destination for fun! We can create an exciting space where children's imaginations can run wild. A playscape where parents can feel secure and create lasting memories with their whole family.

Key Features

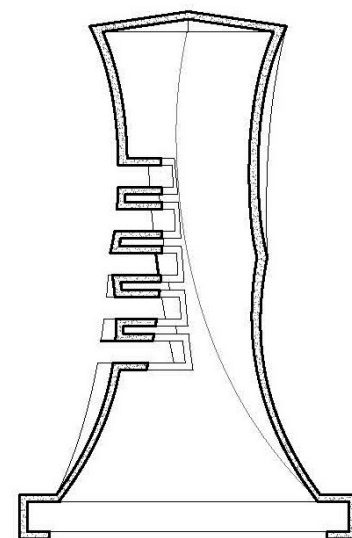
- Variety of colors and finishes, like stone, bronze, and concrete, available
- Can be illuminated with the lighting source of your choice
- Made in America
- Custom design available--let's collaborate to create your perfect site amenity



TOP VIEW



FRONT VIEW



SECTION A

Specifications

Age Range:
N/A

Dimensions:
23"L x 23"W x 36"H

Use Zone:
N/A

Mounting Options:
See Typical
Installation Details

SIZE CHART

NAME	HEIGHT	WIDTH
SBOP 006.1	2'-0"	1'-3"
SBOP 006.2	2'-6"	1'-7"
SBOP 006.3	3'-0"	1'-11"
SBOP 006.4	3'-6"	2'-3"
SBOP 006.5	4'-0"	2'-7"

Contact Us

Ordering from The 4 Kids is easy, initial consultation & quote is free. We can also provide you with design ideas and conceptual drawings. We want your whole experience with The 4 Kids to be smooth & rewarding.

4400 Oneal St. Greenville, TX 75401

903.454.9237

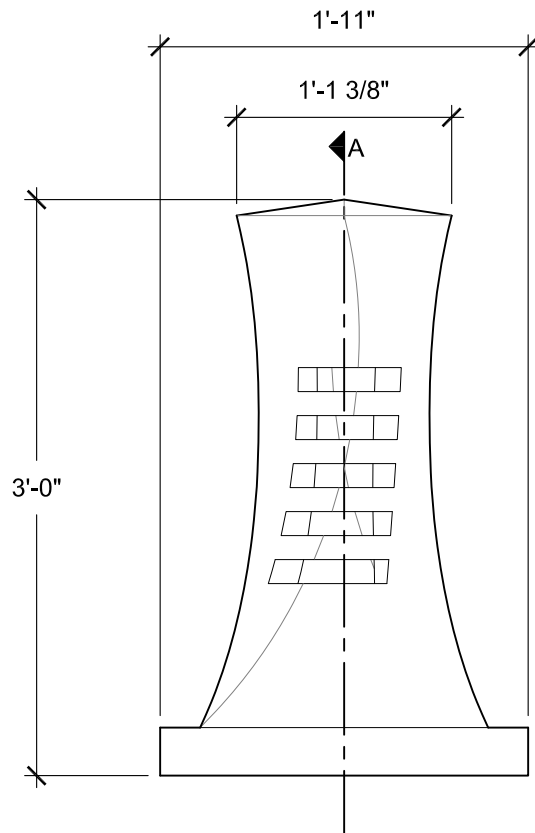
info@the4kids.com

www.the4kids.com

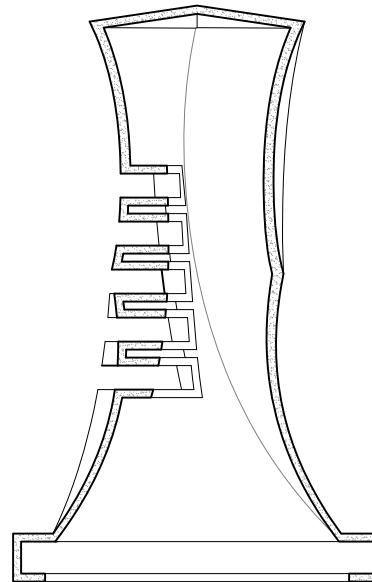
© 2014 The 4 Kids Inc. All rights reserved.

SIZE CHART

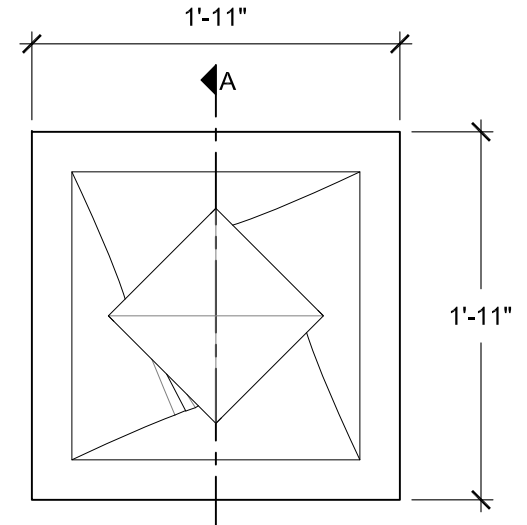
NAME	HEIGHT	WIDTH
SBOP 006.1	2'-0"	1'-3"
SBOP 006.2	2'-6"	1'-7"
SBOP 006.3	3'-0"	1'-11"
SBOP 006.4	3'-6"	2'-3"
SBOP 006.5	4'-0"	2'-7"



FRONT VIEW
SCALE: 1"= 1'-0"



SECTION A
SCALE: 1"= 1'-0"



TOP VIEW
SCALE: 1"= 1'-0"

ALL RIGHTS RESERVED. THIS DRAWING IS PROPERTY OF THE 4 KIDS INC. AND MAY BE USED ONLY WHEN UTILIZING THE 4 KIDS PRODUCTS. THE 4 KIDS INC. GENERAL TERMS AND CONDITIONS APPLY AND ARE INCORPORATE HERE IN BY REFERENCE. THIS DETAIL MAY NOT APPLY TO ALL CONDITIONS AND CONSTRUCTION SITUATIONS.



CUSTOM THEMED PLAYGROUNDS

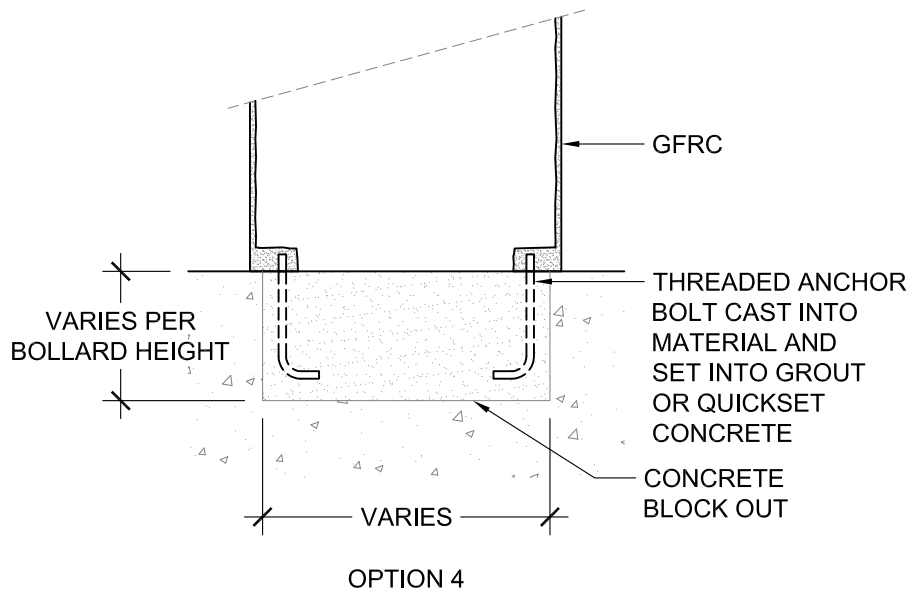
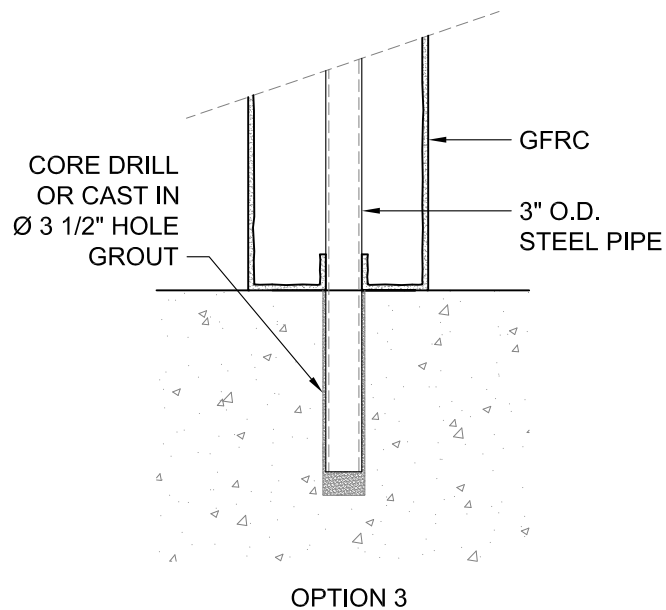
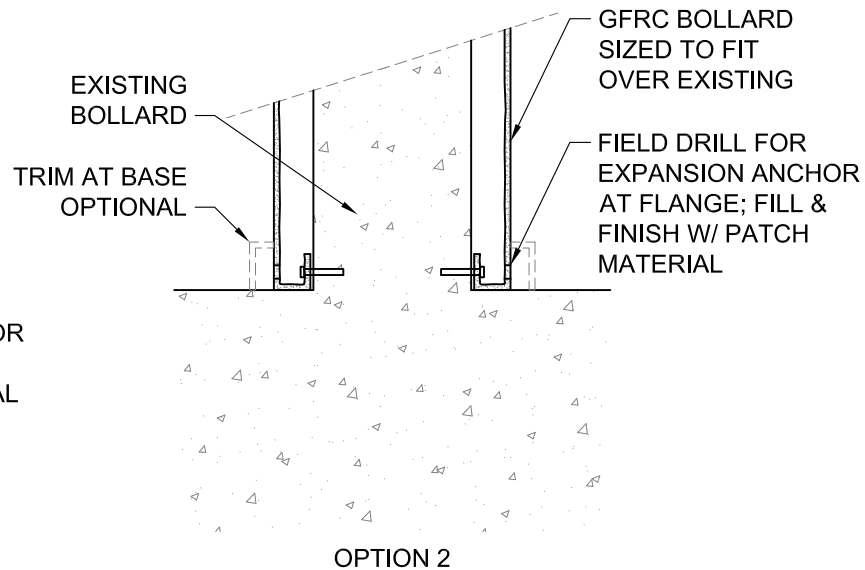
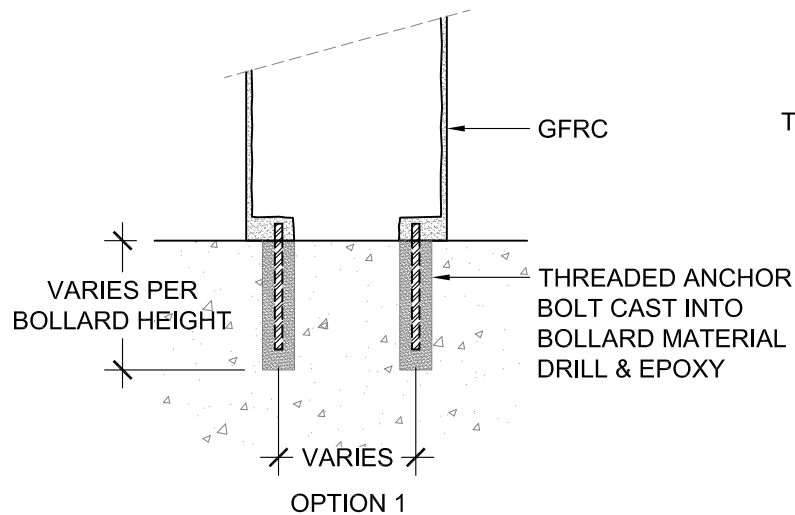
4400 ONEAL STREET, GREENVILLE, TX 75401 PHONE 903.454.9237 FAX 903.454.3642

TITLE: SBOP-006

TYPE DWG: BOLLARD

SCALE: AS NOTED

DWG. SHEET: **SBOP-006**



ALL RIGHTS RESERVED. THIS DRAWING IS PROPERTY OF THE 4 KIDS INC. AND MAY BE USED ONLY WHEN UTILIZING THE 4 KIDS PRODUCTS. THE 4 KIDS INC. GENERAL TERMS AND CONDITIONS APPLY AND ARE INCORPORATE HERE IN BY REFERENCE. THIS DETAIL MAY NOT APPLY TO ALL CONDITIONS AND CONSTRUCTION SITUATIONS.



CUSTOM THEMED PLAYGROUNDS

4400 ONEAL STREET, GREENVILLE, TX 75401 PHONE 903.454.9237 FAX 903.454.3642

TITLE: BOLLARD

TYPE DWG: MOUNTING

SCALE: AS NOTED

DWG. SHEET: **SBSP-M1**