



Atlas Boulder



Let kids feel like the king or queen of the world! This Atlas Boulder Climber is the kind of playground structure that makes memories. Wow visitors with a climber that encourages kids in elementary and middle school to balance and move while using their imaginations. With fully customizable size and colors, it's a fantastic addition to public parks, RV parks, military campgrounds, or themed playgrounds. It's constructed from weather resistant material and is low maintenance.

The 4 Kids was born out of a desire to create high quality, one-of-a-kind park shelters and play environments that effectively appeal to children's natural curiosity and imagination.

All of our products are custom designed to work perfectly with your unique playground. Let us know how we can meet your specific needs by contacting our knowledgeable design specialists, today.

Contact Us

Ordering from The 4 Kids is easy, initial consultation & quote is free. We can also provide you with design ideas and conceptual drawings. We want your whole experience with The 4 Kids to be smooth & rewarding.

4400 Oneal St. Greenville, TX 75401

903.454.9237

info@the4kids.com

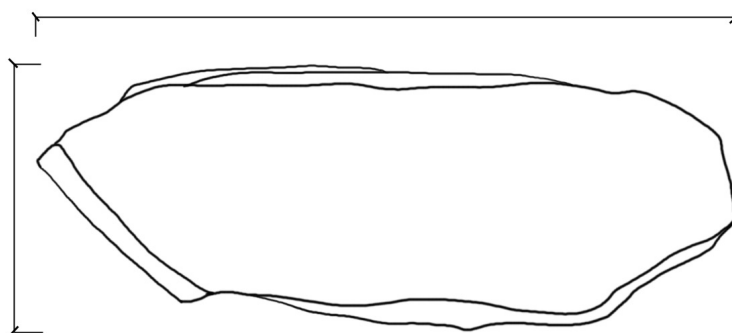
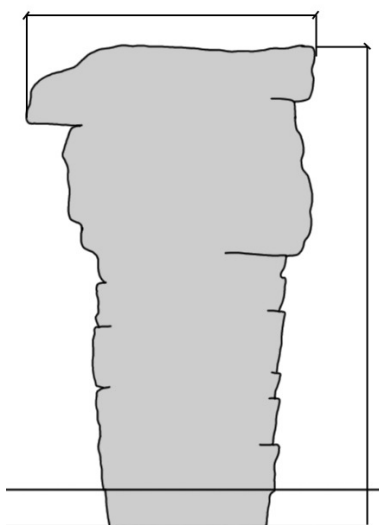
www.the4kids.com

Why Use Us?

Let our team of experienced engineers and artists make your playground the destination for fun! We can create an exciting space where children's imaginations can run wild. A playscape where parents can feel secure and create lasting memories with their whole family.

Key Features

- Fully customizable size and colors to fit your theme
- Crafted from long-lasting material that stands up to weather and kid traffic
- Encourages children and tweens to move and imagine
- No-cost consultation makes it easy to get started



Specifications

Age Range:

5 - 12 years
13+ years

Dimensions:

Fully Customizable

Use Zone:

Based Upon
Dimensions

Mounting Options:

Installation Option 1
Installation Option 2



Contact Us

Ordering from The 4 Kids is easy, initial consultation & quote is free. We can also provide you with design ideas and conceptual drawings. We want your whole experience with The 4 Kids to be smooth & rewarding.

4400 Oneal St. Greenville, TX 75401

903.454.9237

info@the4kids.com

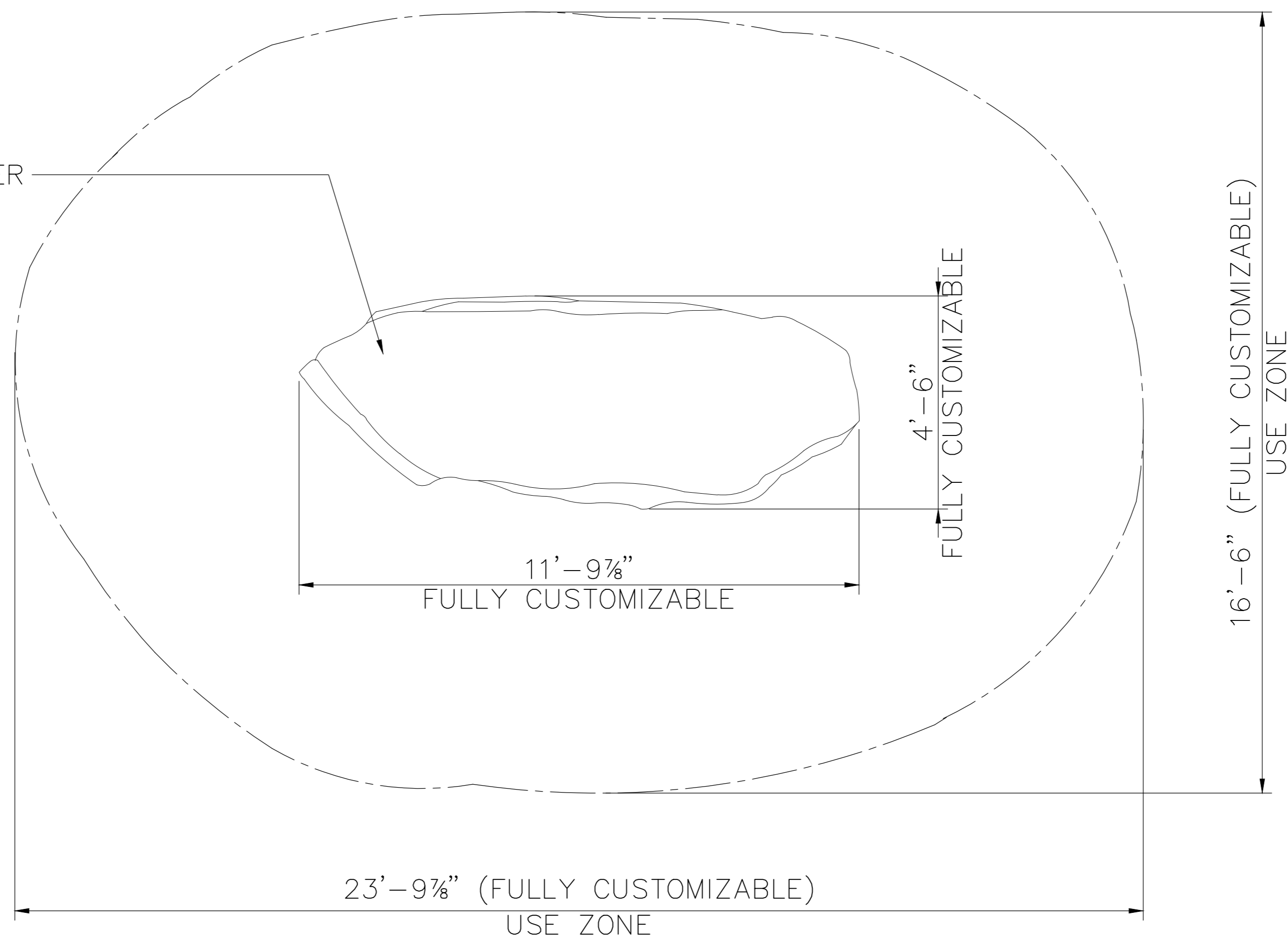
www.the4kids.com

© 2014 The 4 Kids Inc. All rights reserved.



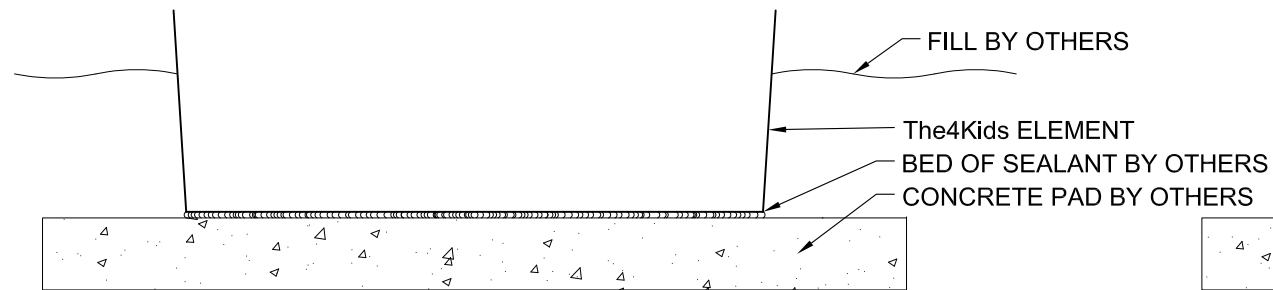
ATLAS BOULDER
FULLY CUSTOMIZABLE

ATLAS BOULDER

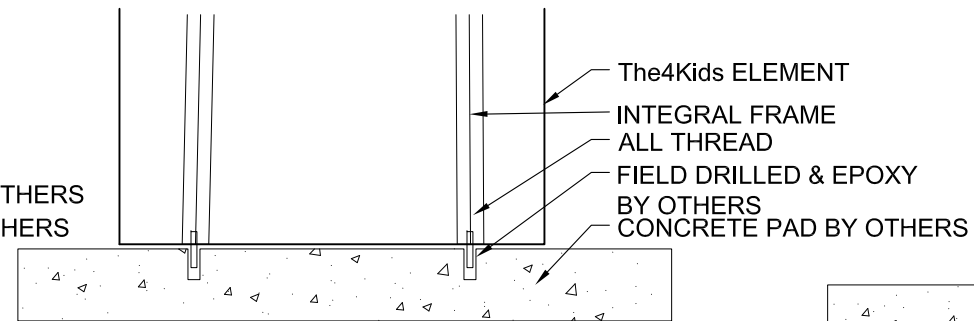


TOP VIEW

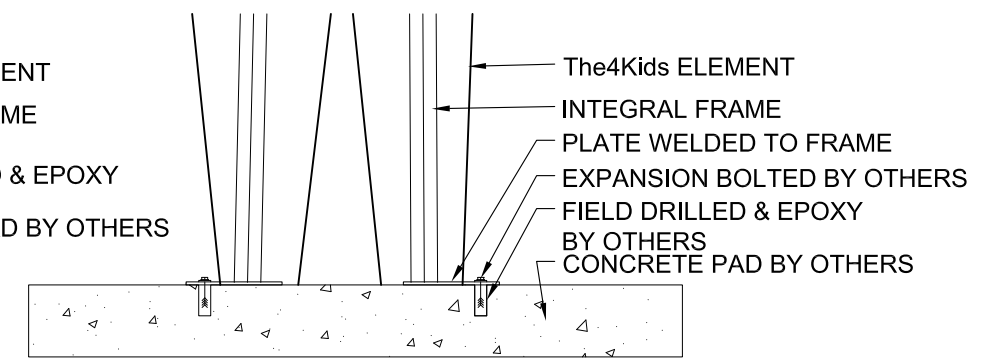
SCALE: 1/2" = 1'



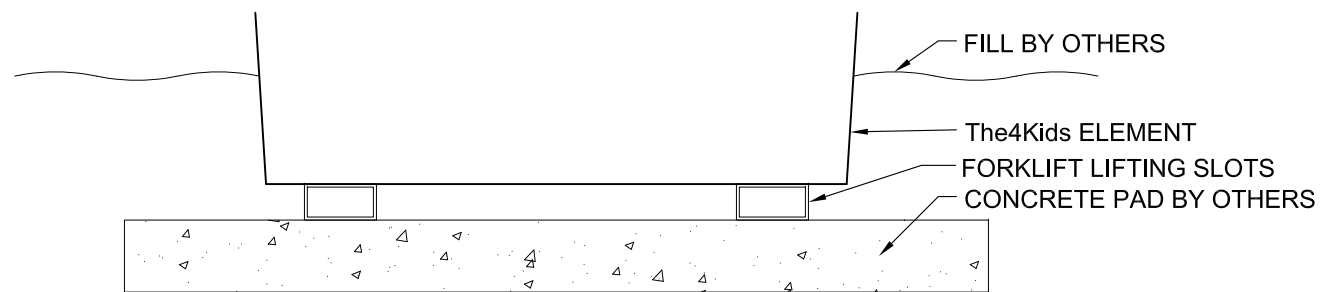
SEALANT BED



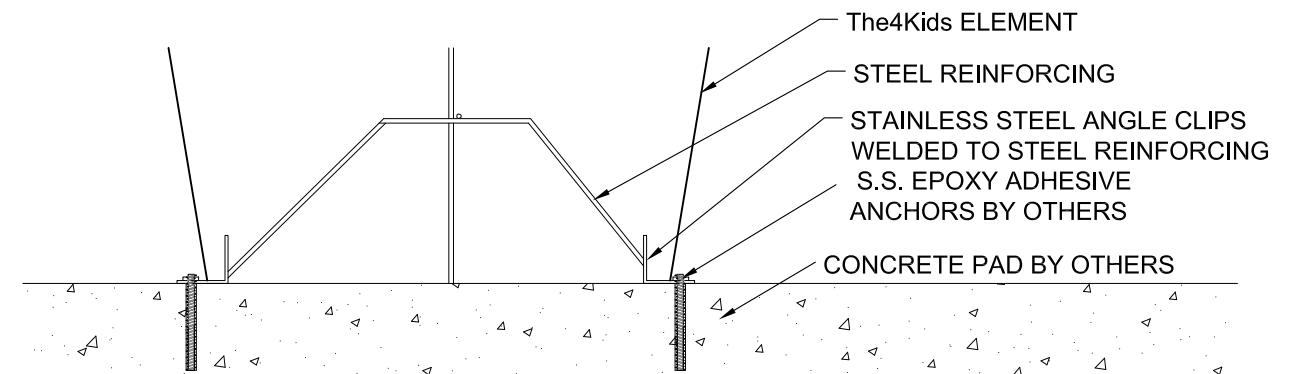
ALL THREAD IN EPOXY



METAL TAB BOLTED TO CONCRETE PAD



FORKLIFT LIFTING POINTS BELOW FILL



STAINLESS STEEL ANGLE CLIPS WITH ANCHORS

ALL RIGHTS RESERVED. THIS DRAWING IS PROPERTY OF THE4KIDS INC. AND MAY BE USED ONLY WHEN UTILIZING THE4KIDS PRODUCTS. THE4KIDS INC. GENERAL TERMS AND CONDITIONS APPLY AND ARE INCORPORATED HERE IN BY REFERENCE. THIS DETAIL MAY NOT APPLY TO ALL CONDITIONS AND CONSTRUCTION SITUATIONS.