

Blackwood Illuminated Bollard



Checkers, anyone? Okay, so it might not make a good game board, but the Blackwood Illuminated Bollard is ready to add fun distinction to schools, resorts, attractions, and more. This features a unique design that's sure to attract notice, especially when it illuminates at night. Like all our bollards, the Blackwood helps safeguard parked vehicles, buildings, or pedestrians. It's impact resistant and will withstand nearly anything Mother Nature can dish out. Light this bollard using the illumination of your choice--our consultants can provide more details and answer questions.

The 4 Kids was born out of a desire to create high quality, one-of-a-kind park shelters and play environments that effectively appeal to children's natural curiosity and imagination.

All of our products are custom designed to work perfectly with your unique playground. Let us know how we can meet your specific needs by contacting our knowledgeable design specialists, today.

Contact Us

Ordering from The 4 Kids is easy, initial consultation & quote is free.
We can also provide you with design ideas and conceptual drawings.
We want your whole experience with The 4 Kids to be smooth & rewarding.

4400 Oneal St. Greenville, TX 75401

903.454.9237

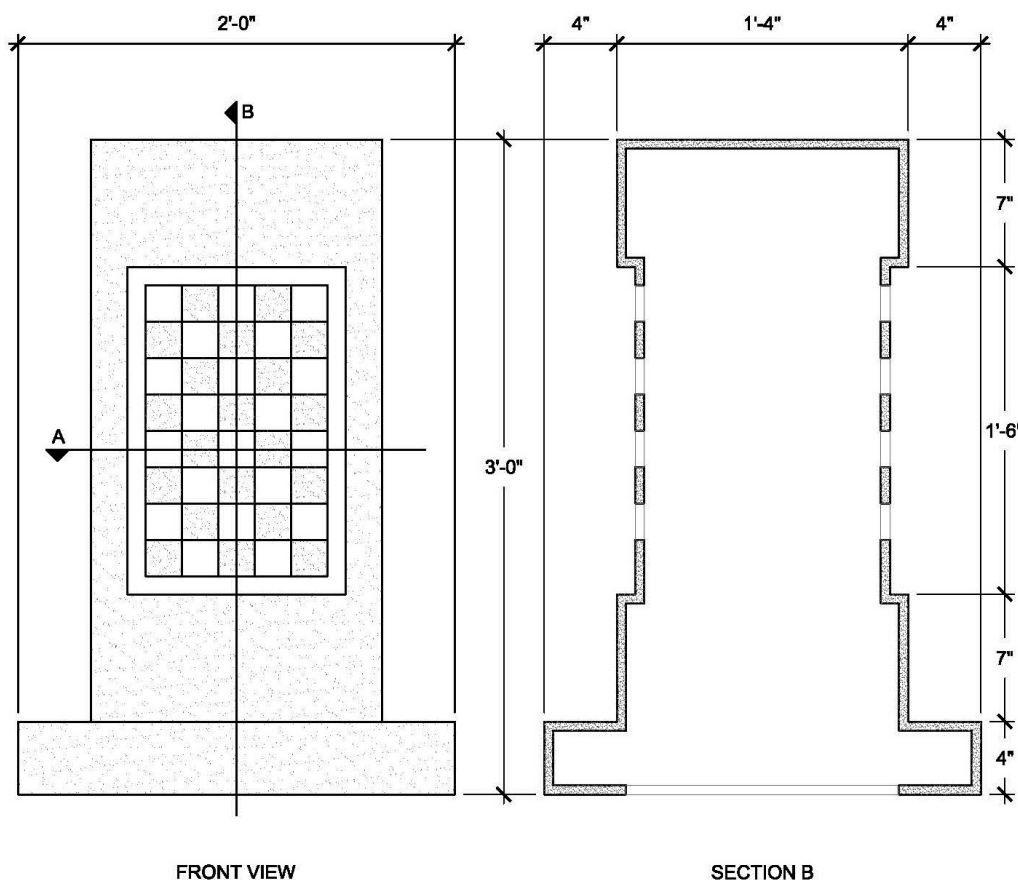
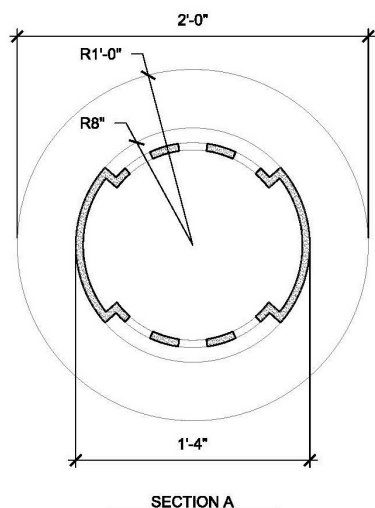
info@the4kids.com

www.the4kids.com

Let our team of experienced engineers and artists make your playground the destination for fun! We can create an exciting space where children's imaginations can run wild. A playscape where parents can feel secure and create lasting memories with their whole family.

Key Features

- Looks impressive whether you install one, a pair, or an entire pathway
- Variety of finishes (such as stone or concrete) and colors available
- Low-maintenance finish
- Fully customizable size
- Free consultation and quote



Specifications

Age Range:
N/A

Dimensions:
16"D x 36"H

Use Zone:
N/A

Mounting Options:
See Typical Installation Details

SIZE CHART

NAME	HEIGHT	WIDTH
SBOP 015.1	2'-0"	1'-4"
SBOP 015.2	2'-6"	1'-8"
SBOP 015.3	3'-0"	2'-0"
SBOP 015.4	3'-6"	2'-4"
SBOP 015.5	4'-0"	2'-8"

Contact Us

Ordering from The 4 Kids is easy, initial consultation & quote is free. We can also provide you with design ideas and conceptual drawings. We want your whole experience with The 4 Kids to be smooth & rewarding.

4400 Oneal St. Greenville, TX 75401

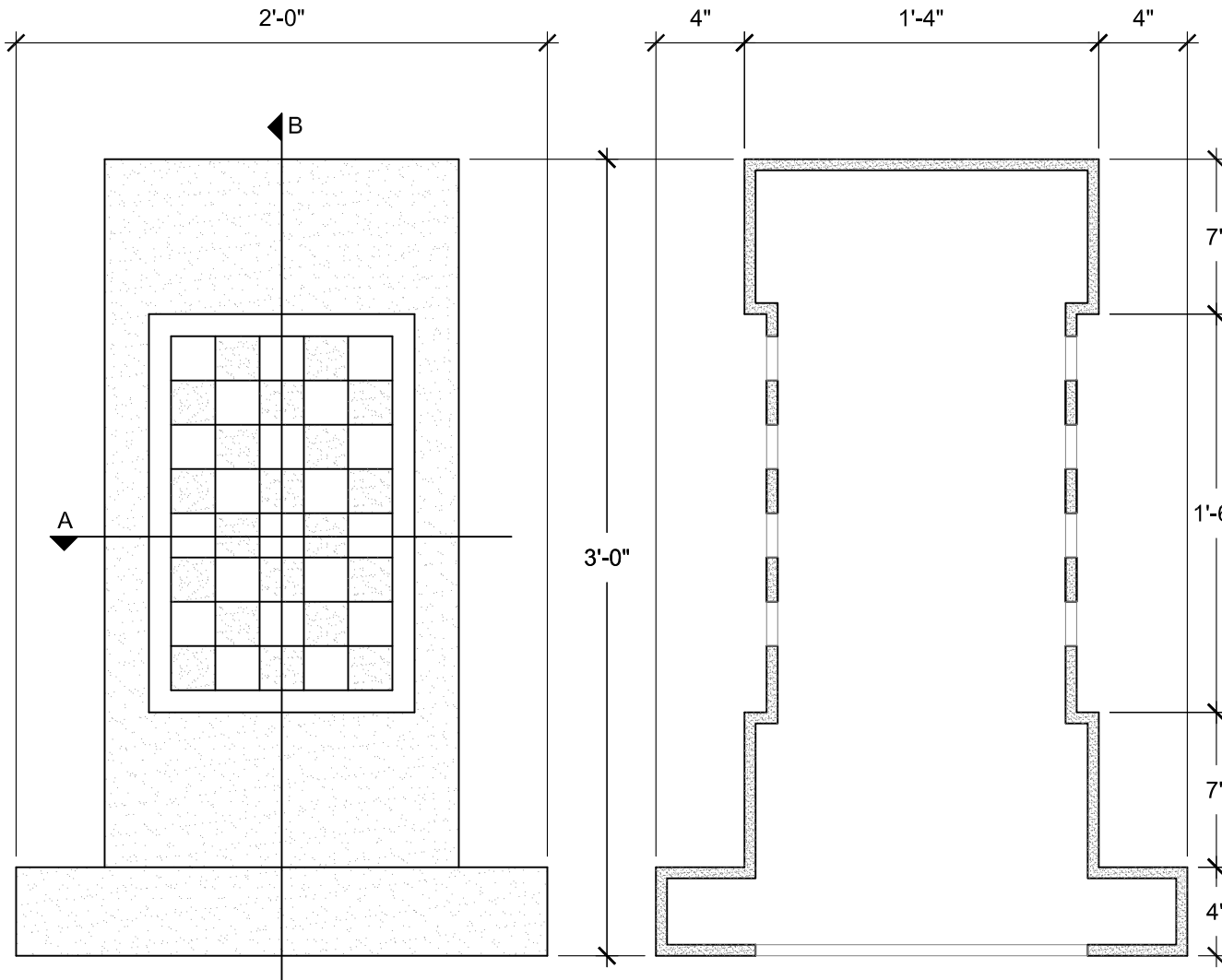
903.454.9237

info@the4kids.com

www.the4kids.com

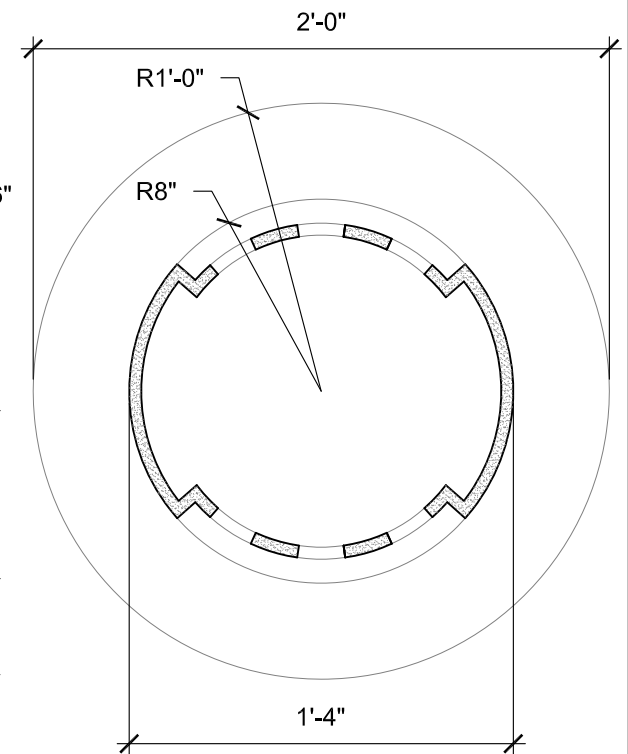
SIZE CHART

NAME	HEIGHT	WIDTH
SBOP 015.1	2'-0"	1'-4"
SBOP 015.2	2'-6"	1'-8"
SBOP 015.3	3'-0"	2'-0"
SBOP 015.4	3'-6"	2'-4"
SBOP 015.5	4'-0"	2'-8"



FRONT VIEW
SCALE: 1 1/2" = 1'-0"

SECTION B
SCALE: 1 1/2" = 1'-0"



SECTION A
SCALE: 1 1/2" = 1'-0"

ALL RIGHTS RESERVED. THIS DRAWING IS PROPERTY OF THE 4 KIDS INC. AND MAY BE USED ONLY WHEN UTILIZING THE 4 KIDS PRODUCTS. THE 4 KIDS INC. GENERAL TERMS AND CONDITIONS APPLY AND ARE INCORPORATE HERE IN BY REFERENCE. THIS DETAIL MAY NOT APPLY TO ALL CONDITIONS AND CONSTRUCTION SITUATIONS.



CUSTOM THEMED PLAYGROUNDS

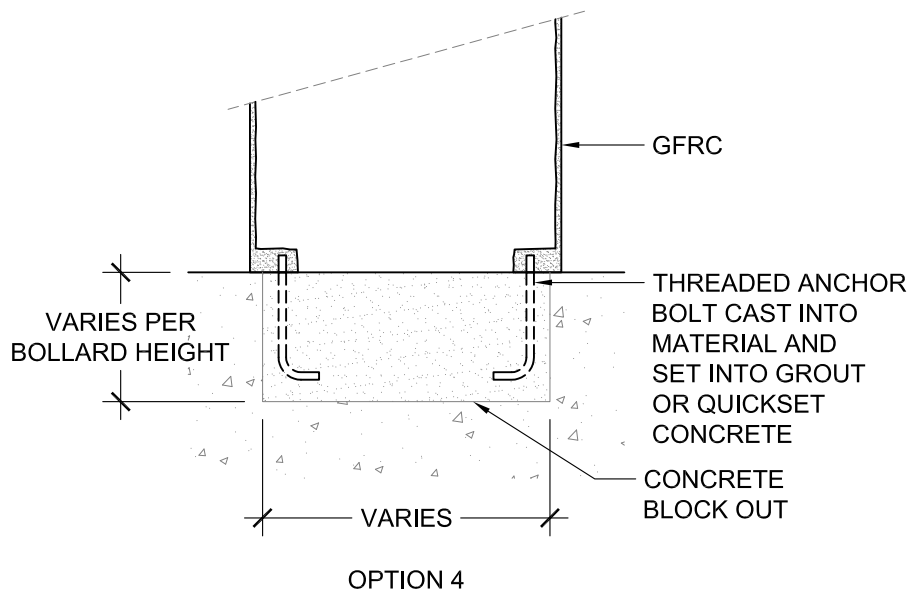
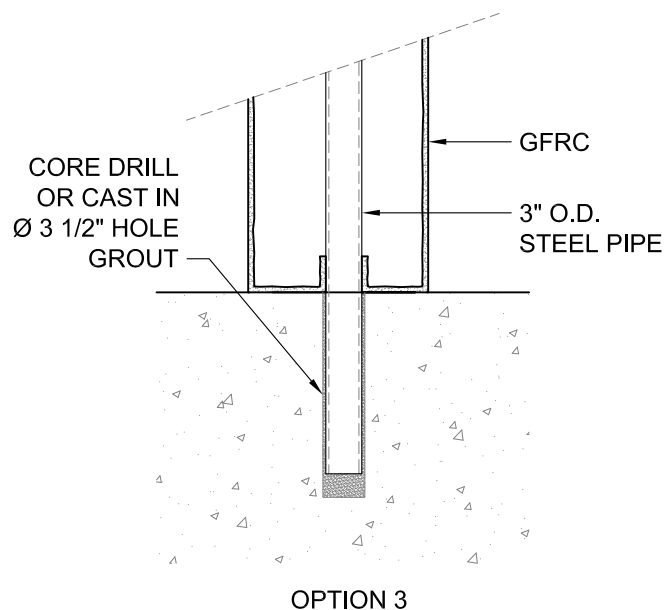
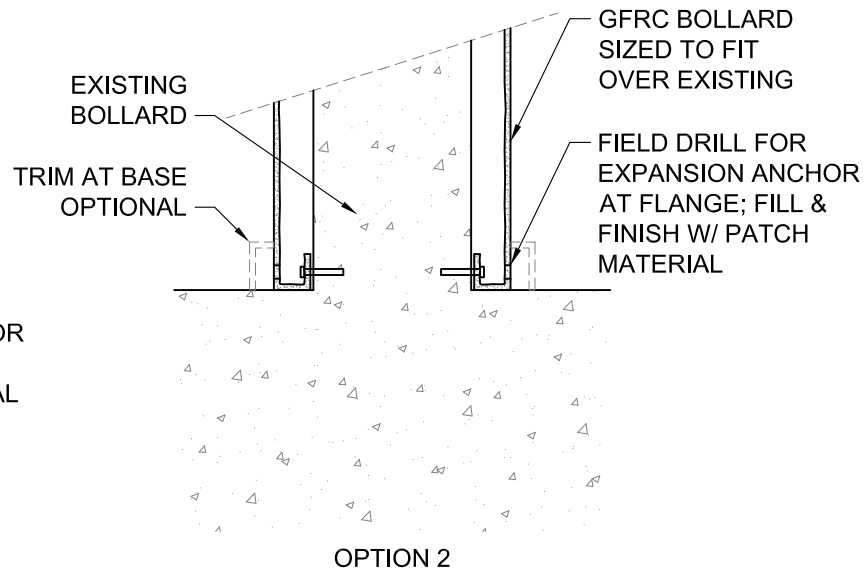
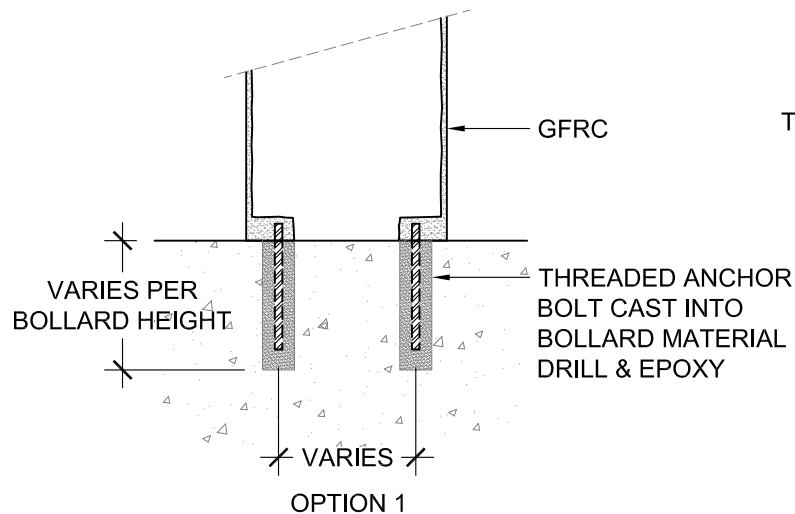
4400 ONEAL STREET, GREENVILLE, TX 75401 PHONE 903.454.9237 FAX 903.454.3642

TITLE: BLACKWOOD BOLLARD

TYPE DWG: BOLLARD

SCALE: AS NOTED

DWG. SHEET: **SBOP-015**



ALL RIGHTS RESERVED. THIS DRAWING IS PROPERTY OF THE 4 KIDS INC. AND MAY BE USED ONLY WHEN UTILIZING THE 4 KIDS PRODUCTS. THE 4 KIDS INC. GENERAL TERMS AND CONDITIONS APPLY AND ARE INCORPORATE HERE IN BY REFERENCE. THIS DETAIL MAY NOT APPLY TO ALL CONDITIONS AND CONSTRUCTION SITUATIONS.



CUSTOM THEMED PLAYGROUNDS

4400 ONEAL STREET, GREENVILLE, TX 75401 PHONE 903.454.9237 FAX 903.454.3642

TITLE: BOLLARD

TYPE DWG: MOUNTING

SCALE: AS NOTED

DWG. SHEET: **SBSP-M1**