



Blue Gold Macaw Post Topper



The 4 Kids Blue Gold Macaw Post Topper is sitting pretty at theme parks, entertainment centers, children's museums, retail outlets and countless other fun venues. The Post Topper is an exciting décor tool to set off utility posts such as those used to define spaces in parks, line walkways and support signage, to name just a few applications. The Blue Gold Macaw is so realistic in detail and design that it captivates observers. Vividly colored and lifelike, the post topper is a true work of playground art from the talented design team in the Greenville, Texas studios of The 4 Kids. Not only a flawless replica of the real thing, the Blue Gold Macaw is also crafted with superior technique and materials that render it virtually maintenance free in all weather. Even salt spray can't damage the surface of this exceptional sculpture, ensuring a durable, easy care feature that puts the fun in functional. For setting the stage for entertainment, this Blue Gold Macaw Post Topper is beyond compare.

The 4 Kids was born out of a desire to create high quality, one-of-a-kind park shelters and play environments that effectively appeal to children's natural curiosity and imagination.

All of our products are custom designed to work perfectly with your unique playground. Let us know how we can meet your specific needs by contacting our knowledgeable design specialists, today.

Contact Us

Ordering from The 4 Kids is easy, initial consultation & quote is free.
We can also provide you with design ideas and conceptual drawings.
We want your whole experience with The 4 Kids to be smooth & rewarding.

4400 Oneal St. Greenville, TX 75401

903.454.9237

info@the4kids.com

www.the4kids.com

Why Use Us?

Let our team of experienced engineers and artists make your playground the destination for fun! We can create an exciting space where children's imaginations can run wild. A playscape where parents can feel secure and create lasting memories with their whole family.

Key Features

- Grand designs customized according to client need
- Virtually maintenance free construction in all weather
- Team of experts includes artists and sculptors
- Realistic and lifelike
- The perfect addition to add flair and panache to décor

Specifications

Age Range:

N/A

Dimensions:

18.25"L x 17"W x
Post Height

Play Area:

N/A

Mounting Options:

See Typical
Installation Details



Contact Us

Ordering from The 4 Kids is easy, initial consultation & quote is free. We can also provide you with design ideas and conceptual drawings. We want your whole experience with The 4 Kids to be smooth & rewarding.

4400 Oneal St. Greenville, TX 75401

903.454.9237

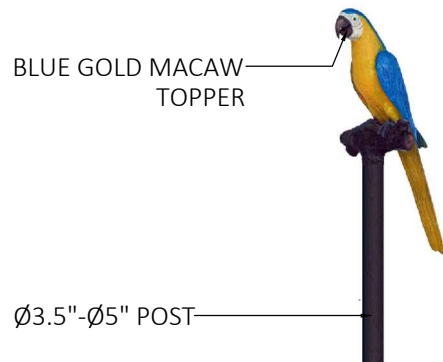
info@the4kids.com

www.the4kids.com

© 2014 The 4 Kids Inc. All rights reserved.

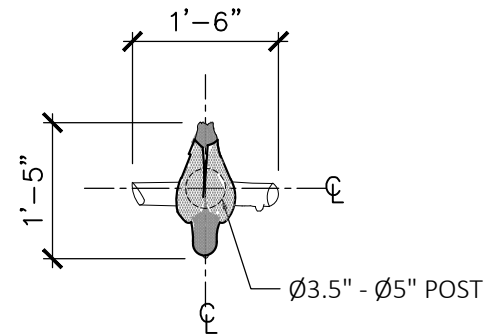
BLUE GOLD MACAW POST TOPPER

18.25" X 17" X POST HEIGHT



PRODUCT VIEW

SCALE: NTS



TOP VIEW

SCALE: 1/2" = 1'

ALL RIGHTS RESERVED. THIS DRAWING IS PROPERTY OF THE 4 KIDS INC. AND MAY BE USED ONLY WHEN UTILIZING THE 4 KIDS INC. GENERAL TERMS AND CONDITIONS APPLY AND ARE INCORPORATED HERE IN BY REFERENCE. THIS DETAIL MAY NOT APPLY TO ALL CONDITIONS AND CONSTRUCTION SITUATIONS.

ITEM ID: POS113

MATERIAL:

MOLD

APX. TTL. WEIGHT

TOTAL # OF ITEM:

- LBS. [- KG]

TOTAL SQ. FEET: - [- sqm.]

PROJECT:

TITLE: BLUE GOLD MACAW POST TOPPER

REFERENCES:

COLOR & PER APPROVED SAMPLE
TEXTURE: PER APPROVED SAMPLE



CUSTOM THEMED PLAYGROUNDS

4400 ONEAL STREET, GREENVILLE, TX 75402 PHONE 903.454.9237 FAX 903.454.3642

TYPE DWG:

DRAWN BY: ABS

DATE:

SCALE: AS NOTED

SHEET:

DWG. SHEET: