



Hartford Bollard



Safeguard your site with the graceful, modern lines of the Hartford Bollard. Built to stand up to hard impacts and virtually any weather condition, this security post is crafted so it will maintain its look, finish, and strength for many years. The size is fully customizable, and it's available in a range of colors, including light buff, gray, brick brown, and more. Whether you need to direct bicycle traffic or divert car traffic, this custom security bollard is an attractive addition to offices, hospitals, schools, casinos, or residential buildings.

The 4 Kids was born out of a desire to create high quality, one-of-a-kind park shelters and play environments that effectively appeal to children's natural curiosity and imagination.

All of our products are custom designed to work perfectly with your unique playground. Let us know how we can meet your specific needs by contacting our knowledgeable design specialists, today.

Contact Us

Ordering from The 4 Kids is easy, initial consultation & quote is free. We can also provide you with design ideas and conceptual drawings. We want your whole experience with The 4 Kids to be smooth & rewarding.

4400 Oneal St. Greenville, TX 75401

903.454.9237

info@the4kids.com

www.the4kids.com

Why Use Us?

Let our team of experienced engineers and artists make your playground the destination for fun! We can create an exciting space where children's imaginations can run wild. A playscape where parents can feel secure and create lasting memories with their whole family.

Key Features

- Ability to match existing finishes on your site
- Custom design assistance available
- These decorative bollards are made to fit over an existing steel post.
- Variety of concrete finish color options available

Specifications

Use Zone:
N/A

Mounting Options:
Installation Options



SIZE CHART

NAME	HEIGHT	WIDTH
SBOP 075.1	2'-0"	2'-0"
SBOP 075.2	2'-6"	2'-6"
SBOP 075.3	3'-0"	3'-0"
SBOP 075.4	3'-6"	3'-6"
SBOP 075.5	4'-0"	4'-0"

Contact Us

Ordering from The 4 Kids is easy, initial consultation & quote is free. We can also provide you with design ideas and conceptual drawings. We want your whole experience with The 4 Kids to be smooth & rewarding.

4400 Oneal St. Greenville, TX 75401

903.454.9237

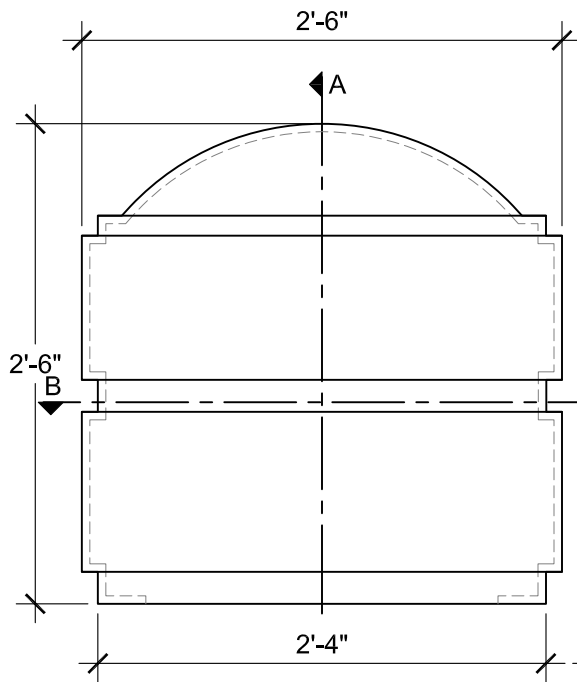
info@the4kids.com

www.the4kids.com

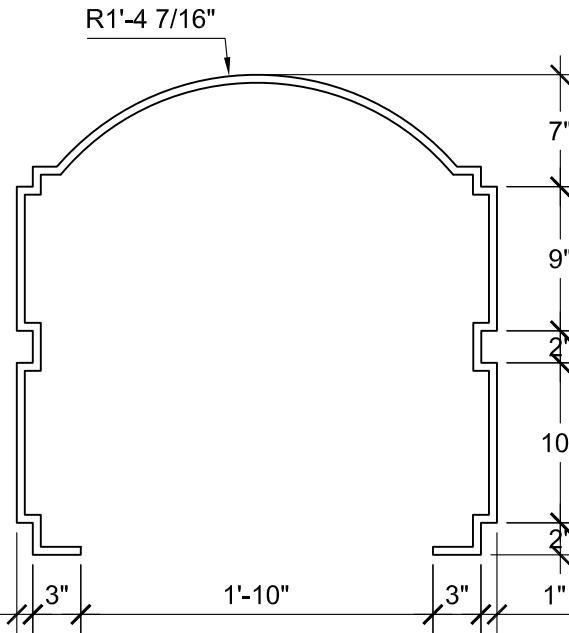
© 2014 The 4 Kids Inc. All rights reserved.

SIZE CHART

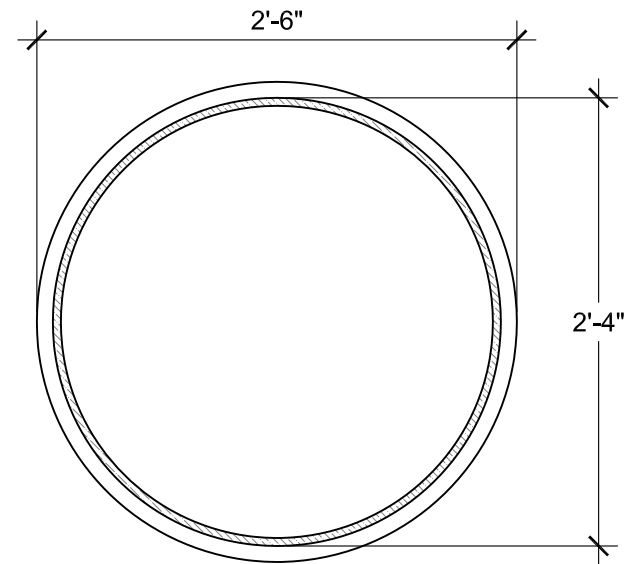
NAME	HEIGHT	WIDTH
SBOP 075.1	2'-0"	2'-0"
SBOP 075.2	2'-6"	2'-6"
SBOP 075.3	3'-0"	3'-0"
SBOP 075.4	3'-6"	3'-6"
SBOP 075.5	4'-0"	4'-0"



FRONT VIEW
SCALE: 1"= 1'-0"



SECTION A
SCALE: 1"= 1'-0"



SECTION B
SCALE: 1"= 1'-0"

ALL RIGHTS RESERVED. THIS DRAWING IS PROPERTY OF THE 4 KIDS INC. AND MAY BE USED ONLY WHEN UTILIZING THE 4 KIDS PRODUCTS. THE 4 KIDS INC. GENERAL TERMS AND CONDITIONS APPLY AND ARE INCORPORATE HERE IN BY REFERENCE. THIS DETAIL MAY NOT APPLY TO ALL CONDITIONS AND CONSTRUCTION SITUATIONS.



CUSTOM THEMED PLAYGROUNDS

4400 ONEAL STREET, GREENVILLE, TX 75401 PHONE 903.454.9237 FAX 903.454.3642

TITLE: HARTFORD BOLLARD

TYPE DWG: BOLLARD

SCALE: AS NOTED

DWG. SHEET: **SBOP-075**