



# Windham Bollard

---

---



Whether you're creating a traffic-free plaza or protecting a vulnerable building, the gentle curves of the Windham Bollard will add security and beauty to any project. Built to withstand virtually any weather condition, this bollard is crafted so it will maintain its look, finish, and strength for many years. The size is fully customizable, plus our team is able to match existing finishes on your site. The Windham design is an attractive post for gardens, casinos, museums, schools, offices, or government facilities.

The 4 Kids was born out of a desire to create high quality, one-of-a-kind park shelters and play environments that effectively appeal to children's natural curiosity and imagination.

All of our products are custom designed to work perfectly with your unique playground. Let us know how we can meet your specific needs by contacting our knowledgeable design specialists, today.

## Contact Us

Ordering from The 4 Kids is easy, initial consultation & quote is free.  
We can also provide you with design ideas and conceptual drawings.  
We want your whole experience with The 4 Kids to be smooth & rewarding.

4400 Oneal St. Greenville, TX 75401

903.454.9237

[info@the4kids.com](mailto:info@the4kids.com)

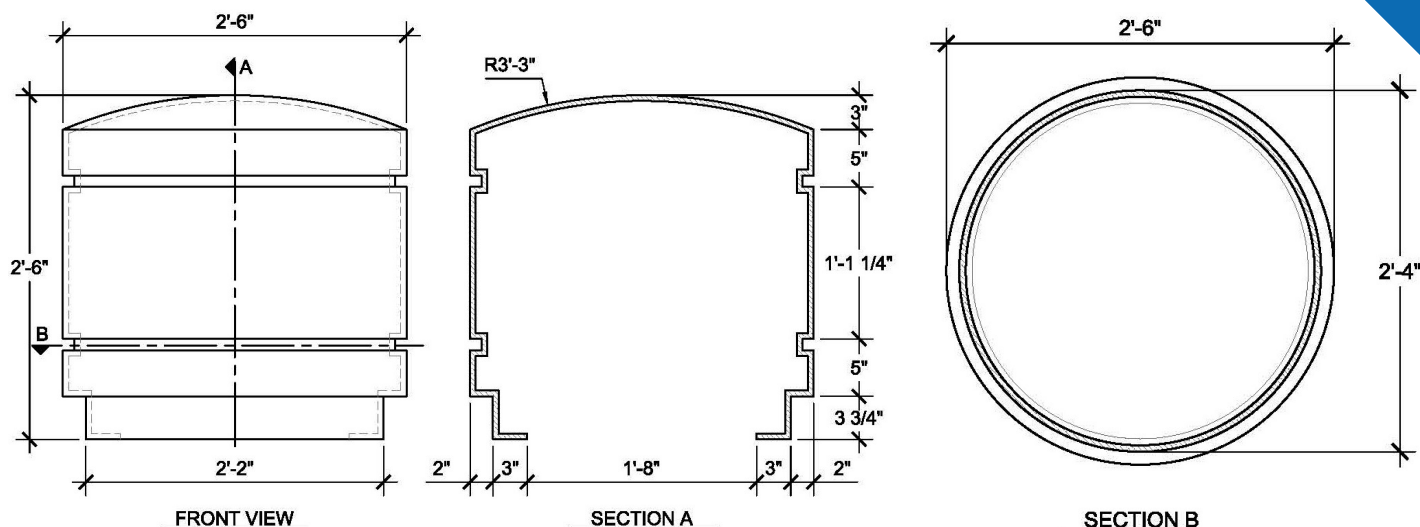
[www.the4kids.com](http://www.the4kids.com)

## Why Use Us?

Let our team of experienced engineers and artists make your playground the destination for fun! We can create an exciting space where children's imaginations can run wild. A playscape where parents can feel secure and create lasting memories with their whole family.

## Key Features

- Range of colors offered, such as white, brick brown, light buff, and more
- Wide variety of custom bollards available, including planter bollards
- Custom design team ready to answer your questions
- Free initial consultation and quote



## Specifications

**Age Range:**  
N/A

**Dimensions:**  
2'6" D x 2'6"H

**Use Zone:**  
N/A

**Mounting Options:**  
See Typical  
Installation Details



## SIZE CHART

NAME	HEIGHT	WIDTH
SBOP 030.1	2'-0"	2'-0"
SBOP 030.2	2'-6"	2'-6"
SBOP 030.3	3'-0"	3'-0"
SBOP 030.4	3'-6"	3'-6"
SBOP 030.5	4'-0"	4'-0"

## Contact Us

Ordering from The 4 Kids is easy, initial consultation & quote is free. We can also provide you with design ideas and conceptual drawings. We want your whole experience with The 4 Kids to be smooth & rewarding.

4400 Oneal St. Greenville, TX 75401

903.454.9237

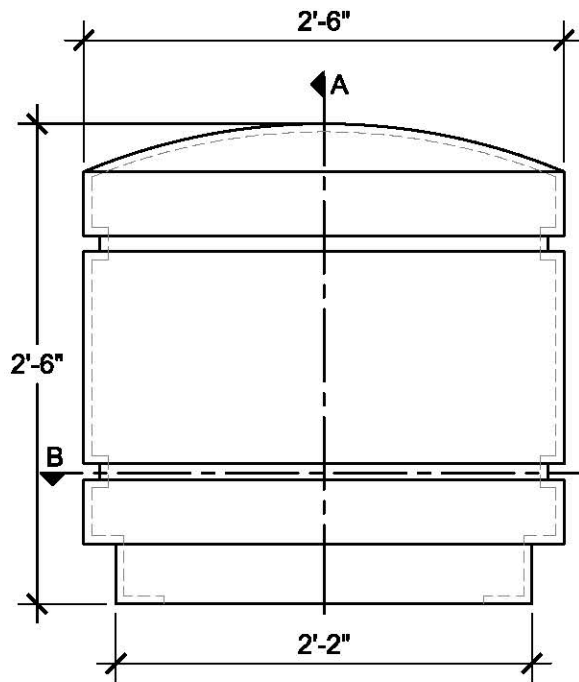
info@the4kids.com

www.the4kids.com

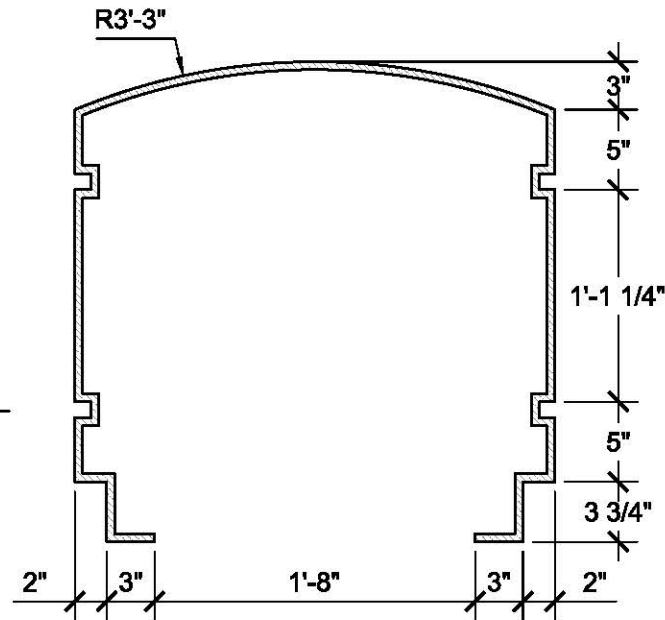
© 2014 The 4 Kids Inc. All rights reserved.

## SIZE CHART

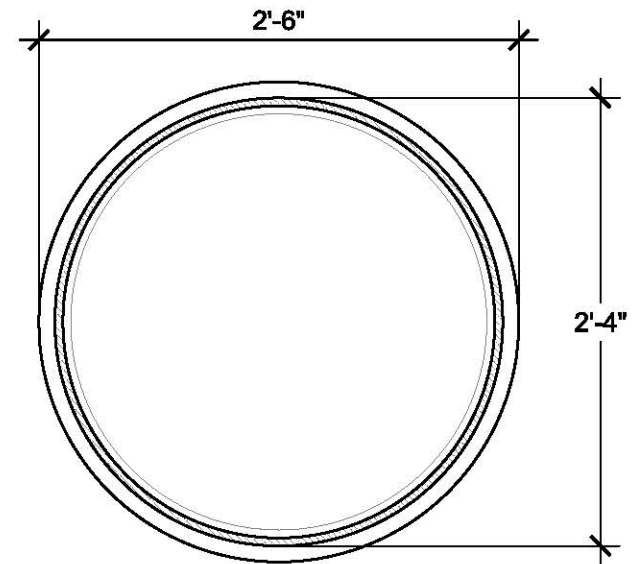
NAME	HEIGHT	WIDTH
SBOP 030.1	2'-0"	2'-0"
SBOP 030.2	2'-6"	2'-6"
SBOP 030.3	3'-0"	3'-0"
SBOP 030.4	3'-6"	3'-6"
SBOP 030.5	4'-0"	4'-0"



**FRONT VIEW**  
SCALE: 1"= 1'-0"



**SECTION A**  
SCALE: 1"= 1'-0"



**SECTION B**  
SCALE: 1"= 1'-0"

ALL RIGHTS RESERVED. THIS DRAWING IS PROPERTY OF THE 4 KIDS INC. AND MAY BE USED ONLY WHEN UTILIZING THE 4 KIDS PRODUCTS. THE 4 KIDS INC. GENERAL TERMS AND CONDITIONS APPLY AND ARE INCORPORATE HERE IN BY REFERENCE. THIS DETAIL MAY NOT APPLY TO ALL CONDITIONS AND CONSTRUCTION SITUATIONS.



**CUSTOM THEMED PLAYGROUNDS**

1100 ONEAL STREET, GREENVILLE, TX 75101 PHONE 903.454.9237 FAX 903.454.3642

TITLE: WINDHAM BOLLARD

TYPE DWG: BOLLARD

SCALE: AS NOTED

DWG. SHEET: **SBOP-030**