

# Park View Illuminated Bollard

---

---



Light the way around your site with the Park View Illuminated Bollard. This modern design offers dual-function value. It clearly marks pathways, perimeters, or boundaries with a super-durable material engineered to withstand impact, yet it provides street lighting as well. Like the other bollards in our extensive line, it's also weather-resistant, maintaining its look and finish no matter the climate. Our team can design and build this model in many colors and textures. This custom post adds security and safe lighting to schools, attractions, buildings, car-free plazas, and more.

The 4 Kids was born out of a desire to create high quality, one-of-a-kind park shelters and play environments that effectively appeal to children's natural curiosity and imagination.

All of our products are custom designed to work perfectly with your unique playground. Let us know how we can meet your specific needs by contacting our knowledgeable design specialists, today.

## Contact Us

Ordering from The 4 Kids is easy, initial consultation & quote is free.  
We can also provide you with design ideas and conceptual drawings.  
We want your whole experience with The 4 Kids to be smooth & rewarding.

4400 Oneal St. Greenville, TX 75401

903.454.9237

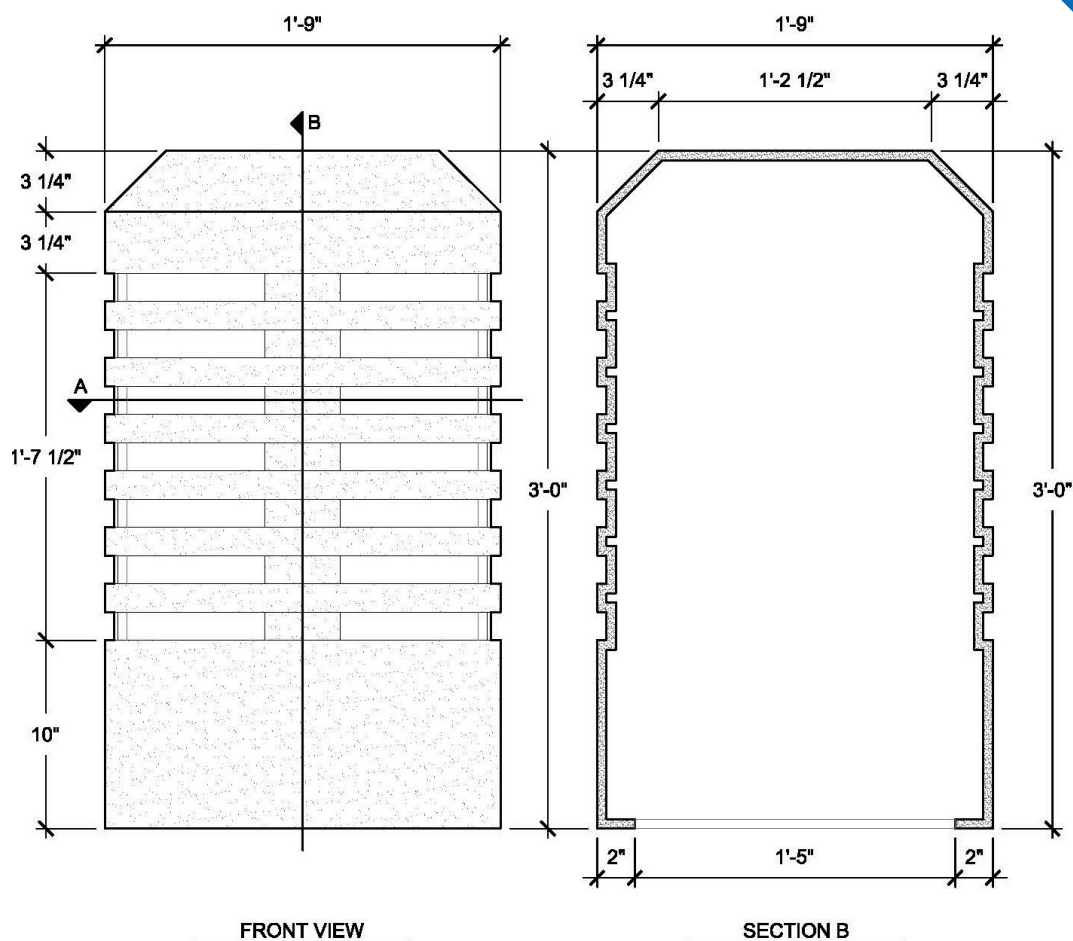
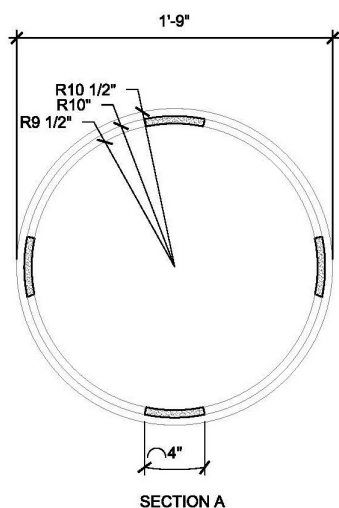
[info@the4kids.com](mailto:info@the4kids.com)

[www.the4kids.com](http://www.the4kids.com)

Let our team of experienced engineers and artists make your playground the destination for fun! We can create an exciting space where children's imaginations can run wild. A playscape where parents can feel secure and create lasting memories with their whole family.

**Key Features**

- Custom colors and design available
- Fully customizable size
- Also offered in stone finish
- Easy to install and installation guidance is available if needed
- Free initial consultation and quote



**Specifications**

**Age Range:**  
N/A

**Dimensions:**  
1'-9"D x 3'H

**Use Zone:**  
N/A

**Mounting Options:**  
See Typical Installation Details

**SIZE CHART**

NAME	HEIGHT	WIDTH
SBOP 003.1	2'-0"	1'-0"
SBOP 003.2	2'-6"	1'-4"
SBOP 003.3	3'-0"	1'-9"
SBOP 003.4	3'-6"	2'-0"
SBOP 003.5	4'-0"	2'-4"

**Contact Us**

Ordering from The 4 Kids is easy, initial consultation & quote is free. We can also provide you with design ideas and conceptual drawings. We want your whole experience with The 4 Kids to be smooth & rewarding.

4400 Oneal St. Greenville, TX 75401

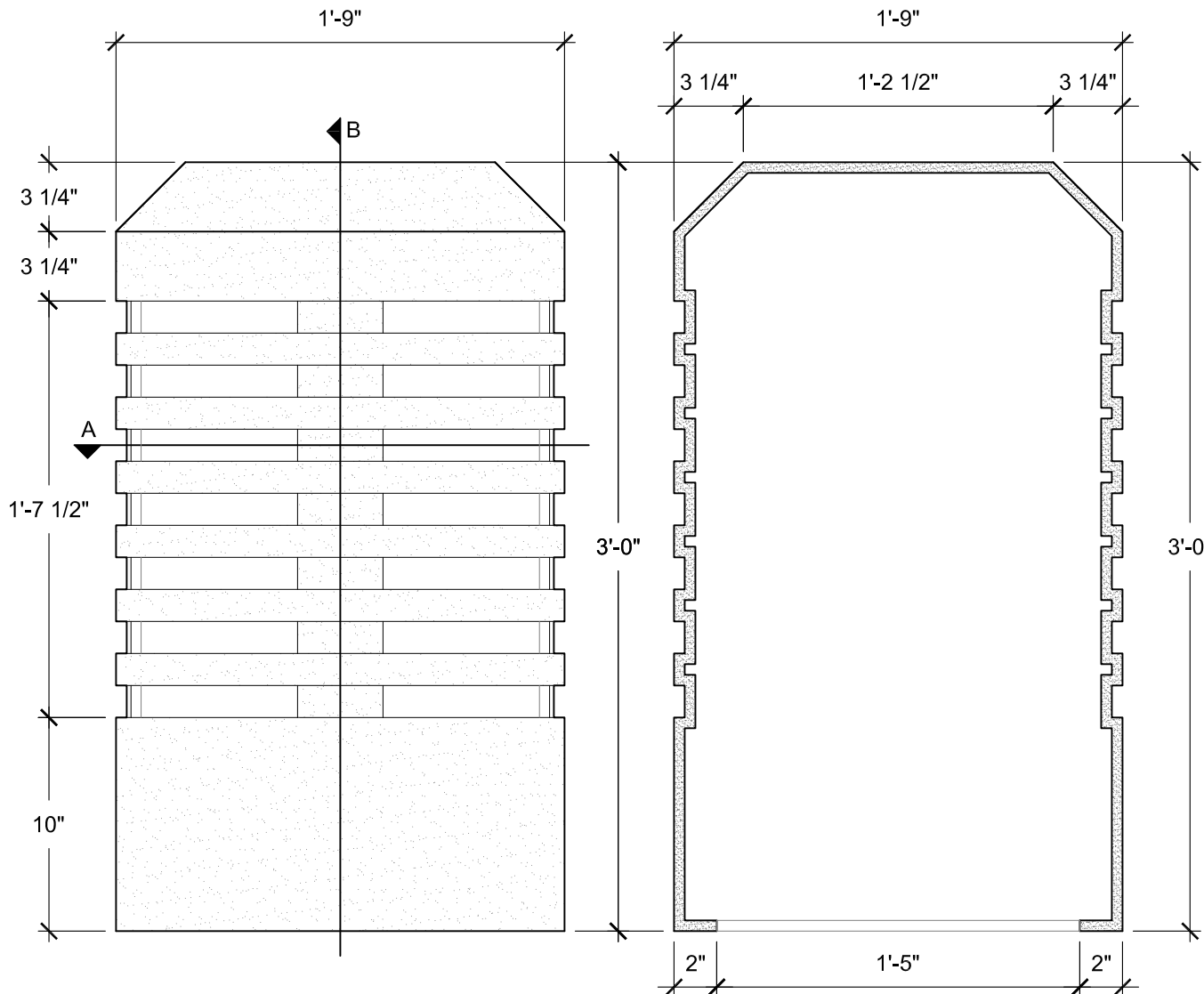
903.454.9237

info@the4kids.com

www.the4kids.com

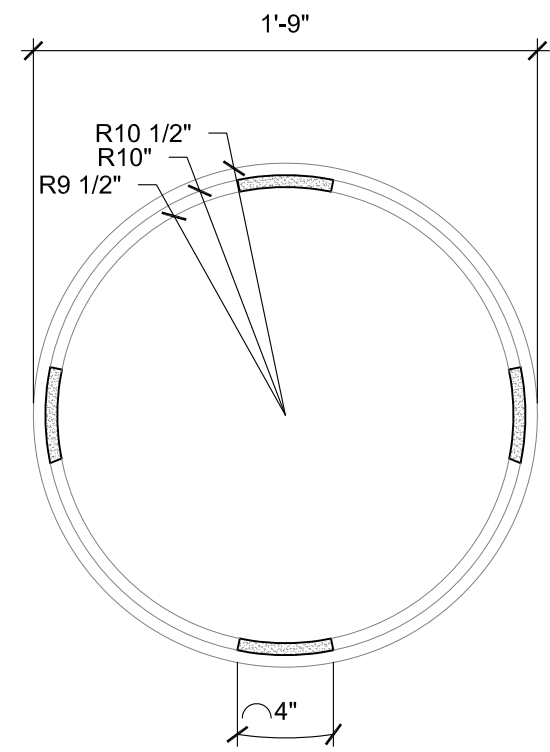
# SIZE CHART

NAME	HEIGHT	WIDTH
SBOP 003.1	2'-0"	1'-0"
SBOP 003.2	2'-6"	1'-4"
SBOP 003.3	3'-0"	1'-9"
SBOP 003.4	3'-6"	2'-0"
SBOP 003.5	4'-0"	2'-4"



FRONT VIEW  
SCALE: 1 1/2" = 1'-0"

SECTION B  
SCALE: 1 1/2" = 1'-0"

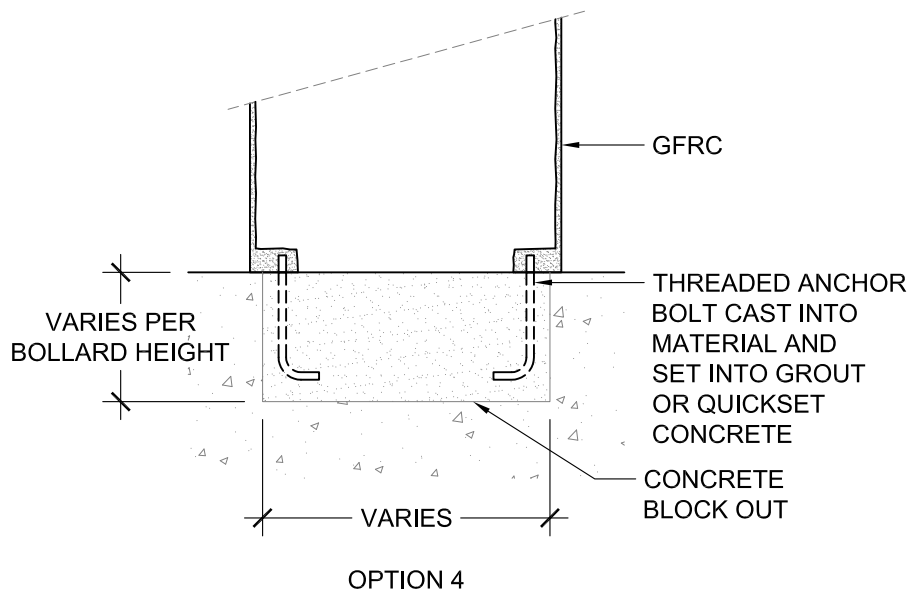
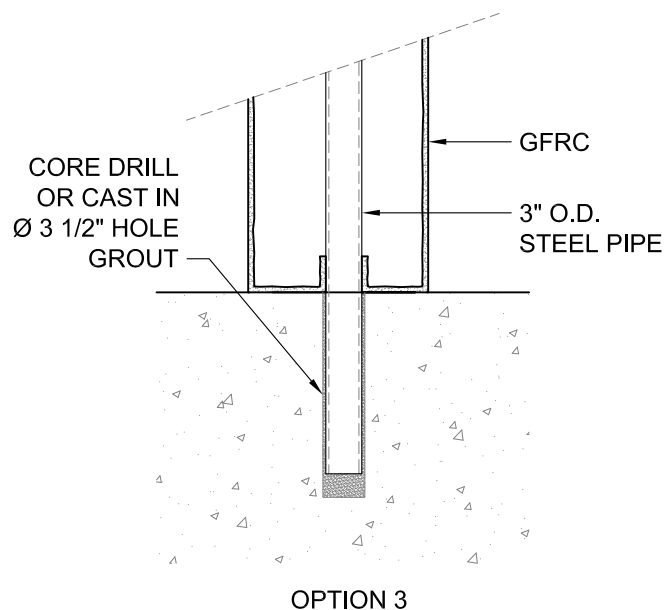
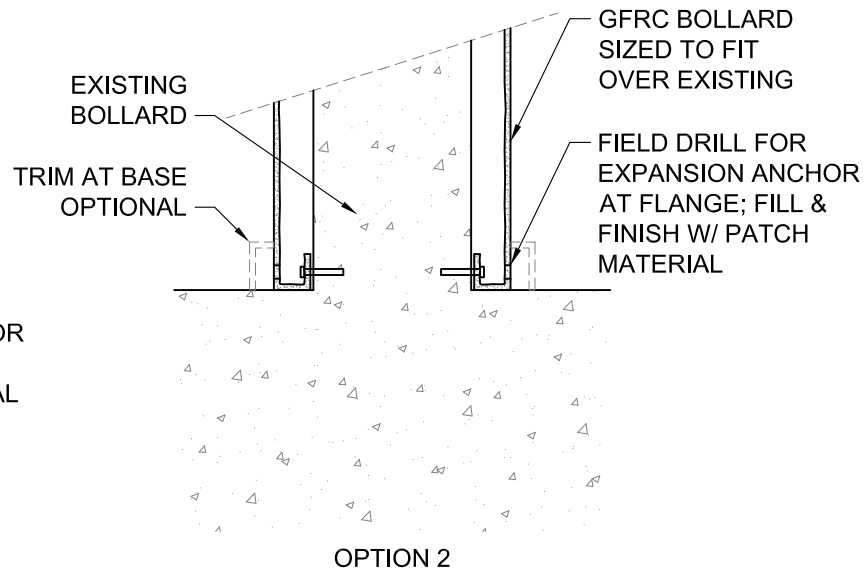
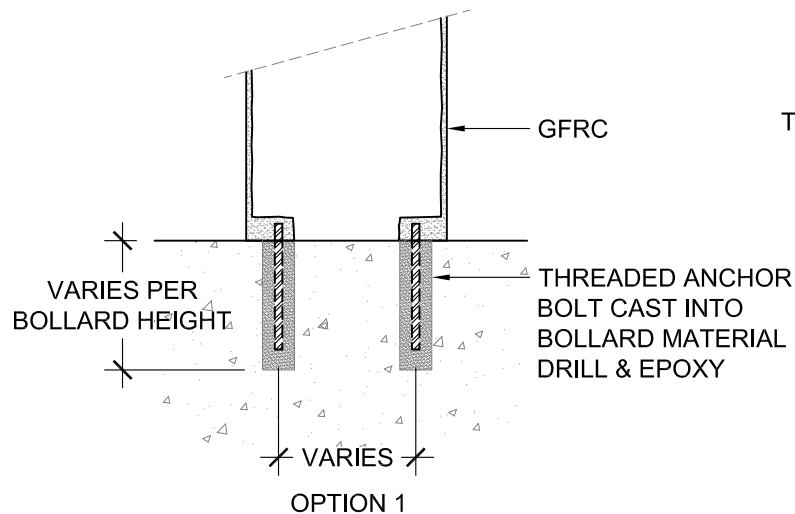


SECTION A  
SCALE: 1 1/2" = 1'-0"

ALL RIGHTS RESERVED. THIS DRAWING IS PROPERTY OF THE 4 KIDS INC. AND MAY BE USED ONLY WHEN UTILIZING THE 4 KIDS PRODUCTS. THE 4 KIDS INC. GENERAL TERMS AND CONDITIONS APPLY AND ARE INCORPORATE HERE IN BY REFERENCE. THIS DETAIL MAY NOT APPLY TO ALL CONDITIONS AND CONSTRUCTION SITUATIONS.

**THE 4 KIDS** CUSTOM THEMED PLAYGROUNDS  
 4400 ONEAL STREET, GREENVILLE, TX 75401 PHONE 903.454.9237 FAX 903.454.3642

TITLE: SBOP-003 TYPE DWG: BOLLARD  
 SCALE: AS NOTED DWG. SHEET: **SBOP-003**



ALL RIGHTS RESERVED. THIS DRAWING IS PROPERTY OF THE 4 KIDS INC. AND MAY BE USED ONLY WHEN UTILIZING THE 4 KIDS PRODUCTS. THE 4 KIDS INC. GENERAL TERMS AND CONDITIONS APPLY AND ARE INCORPORATE HERE IN BY REFERENCE. THIS DETAIL MAY NOT APPLY TO ALL CONDITIONS AND CONSTRUCTION SITUATIONS.



**CUSTOM THEMED PLAYGROUNDS**

4400 ONEAL STREET, GREENVILLE, TX 75401 PHONE 903.454.9237 FAX 903.454.3642

TITLE: BOLLARD

TYPE DWG: MOUNTING

SCALE: AS NOTED

DWG. SHEET: **SBSP-M1**