

# New Haven Illuminated Bollard

---

---



Lighted security posts like the New Haven Illuminated Bollard will add a measure of safety to your office building, school, hospital, or residential building. This model is engineered to provide street level lighting that bolsters security and marks boundaries or walkways. Like all our bollards, the New Haven is crafted from strong material that's weather resistant and holds up under heavy impact. Our team will customize this security post to any size, plus we offer a range of colors we can even match existing finishes on your site. Make your property more secure by investing in illuminated bollards.

The 4 Kids was born out of a desire to create high quality, one-of-a-kind park shelters and play environments that effectively appeal to children's natural curiosity and imagination.

All of our products are custom designed to work perfectly with your unique playground. Let us know how we can meet your specific needs by contacting our knowledgeable design specialists, today.

## Contact Us

Ordering from The 4 Kids is easy, initial consultation & quote is free.  
We can also provide you with design ideas and conceptual drawings.  
We want your whole experience with The 4 Kids to be smooth & rewarding.

4400 Oneal St. Greenville, TX 75401

903.454.9237

info@the4kids.com

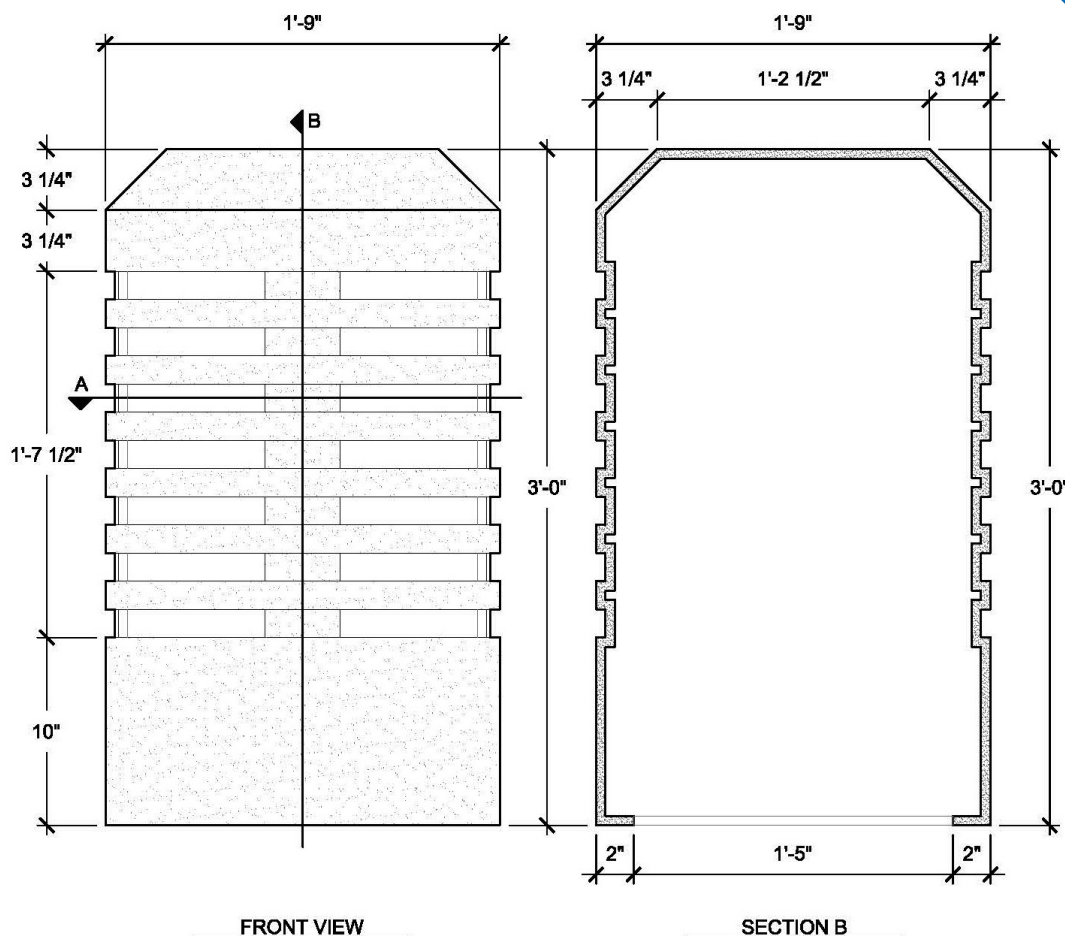
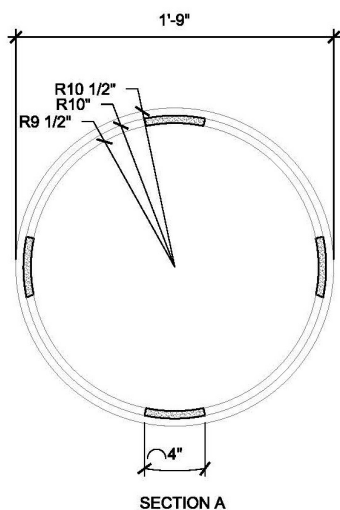
www.the4kids.com

## Why Use Us?

Let our team of experienced engineers and artists make your playground the destination for fun! We can create an exciting space where children's imaginations can run wild. A playscape where parents can feel secure and create lasting memories with their whole family.

## Key Features

- Easy to install
- Also offered in stone finish
- Part of our extensive collection of bollards
- Friendly customer service team
- No-cost, no-obligation consultation and quote



## Specifications

**Age Range:**  
N/A

**Dimensions:**  
1'-9"D x 3'H

**Use Zone:**  
N/A

**Mounting Options:**  
See Typical  
Installation Details

## SIZE CHART

NAME	HEIGHT	WIDTH
SBOP 003.1	2'-0"	1'-0"
SBOP 003.2	2'-6"	1'-4"
SBOP 003.3	3'-0"	1'-9"
SBOP 003.4	3'-6"	2'-0"
SBOP 003.5	4'-0"	2'-4"

## Contact Us

Ordering from The 4 Kids is easy, initial consultation & quote is free. We can also provide you with design ideas and conceptual drawings. We want your whole experience with The 4 Kids to be smooth & rewarding.

4400 Oneal St. Greenville, TX 75401

903.454.9237

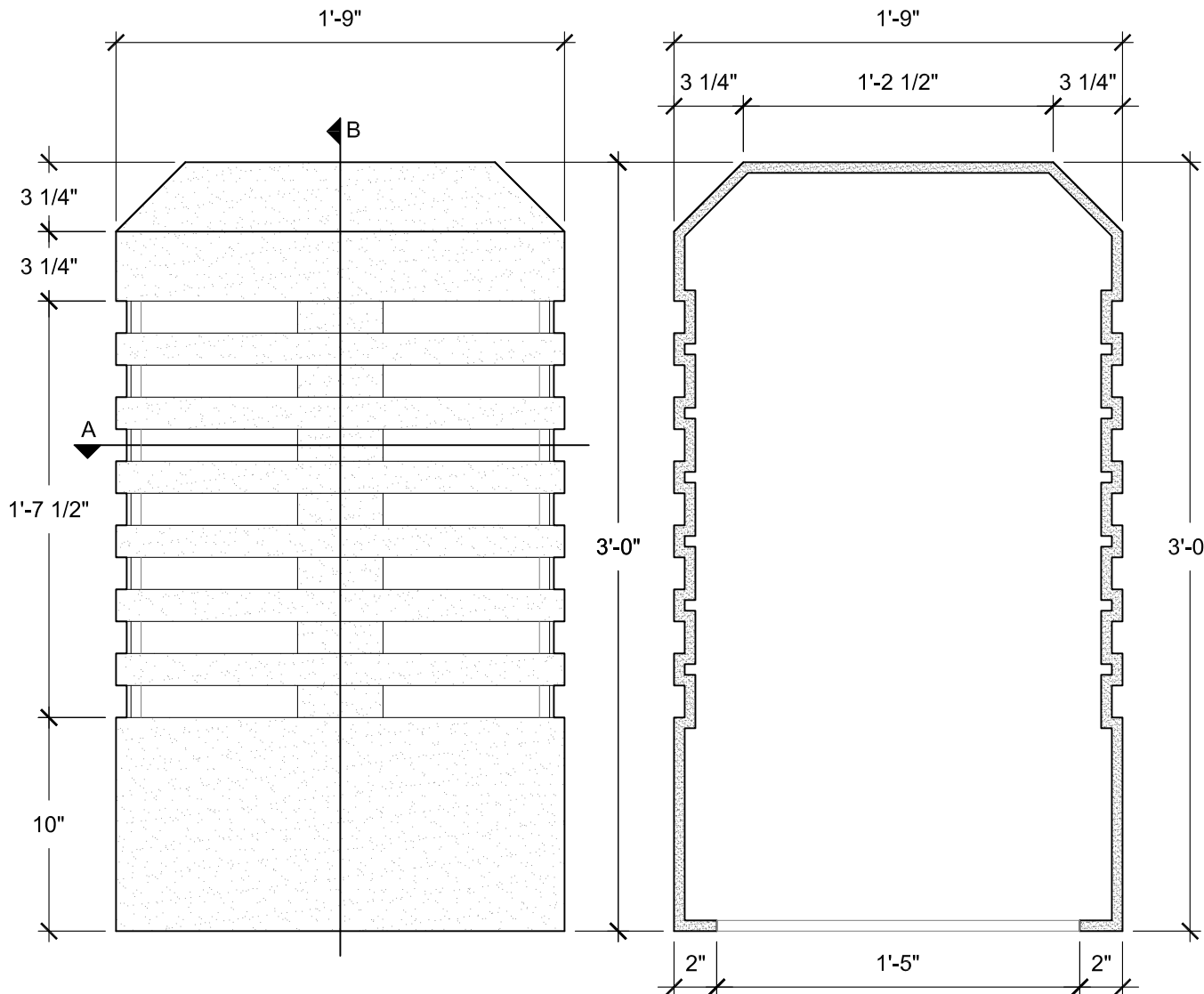
info@the4kids.com

www.the4kids.com

© 2014 The 4 Kids Inc. All rights reserved.

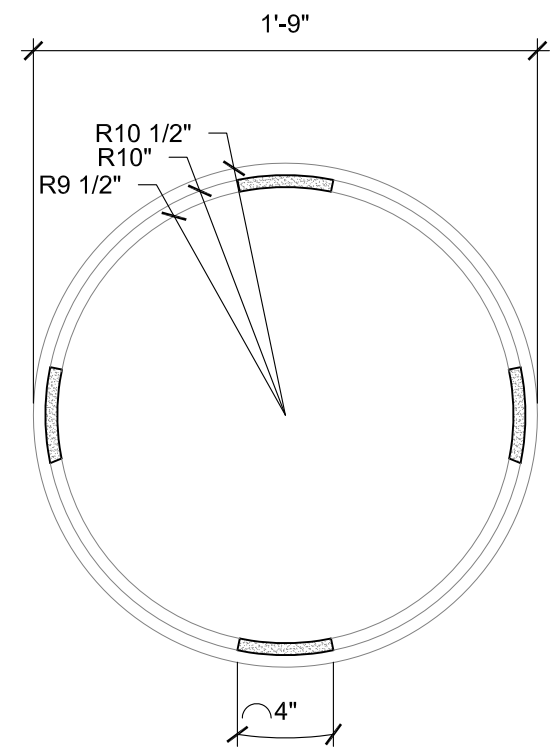
# SIZE CHART

NAME	HEIGHT	WIDTH
SBOP 003.1	2'-0"	1'-0"
SBOP 003.2	2'-6"	1'-4"
SBOP 003.3	3'-0"	1'-9"
SBOP 003.4	3'-6"	2'-0"
SBOP 003.5	4'-0"	2'-4"



**FRONT VIEW**  
SCALE: 1 1/2" = 1'-0"

**SECTION B**  
SCALE: 1 1/2" = 1'-0"

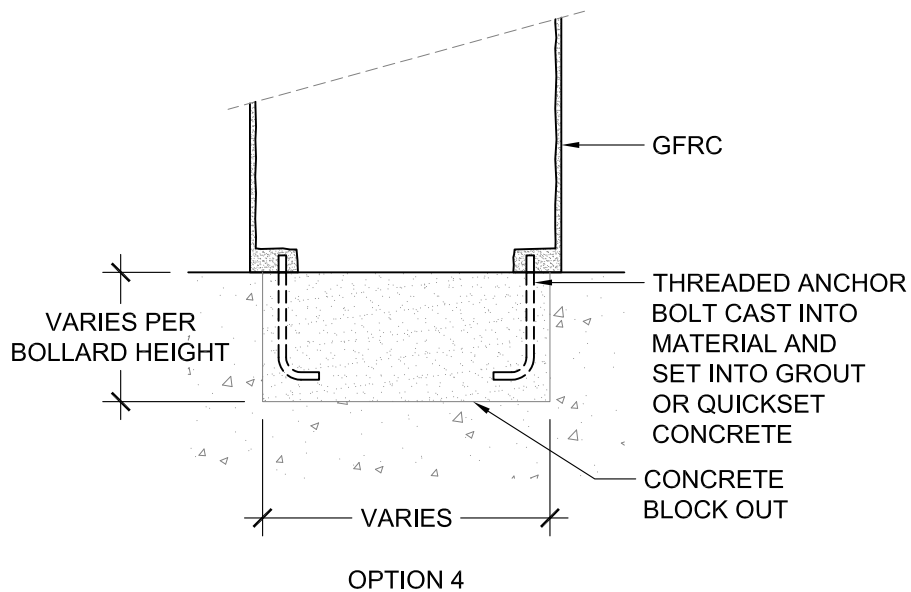
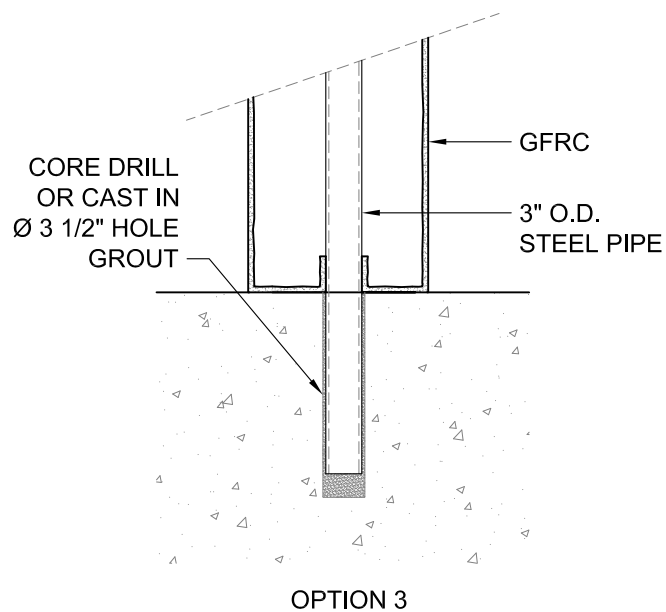
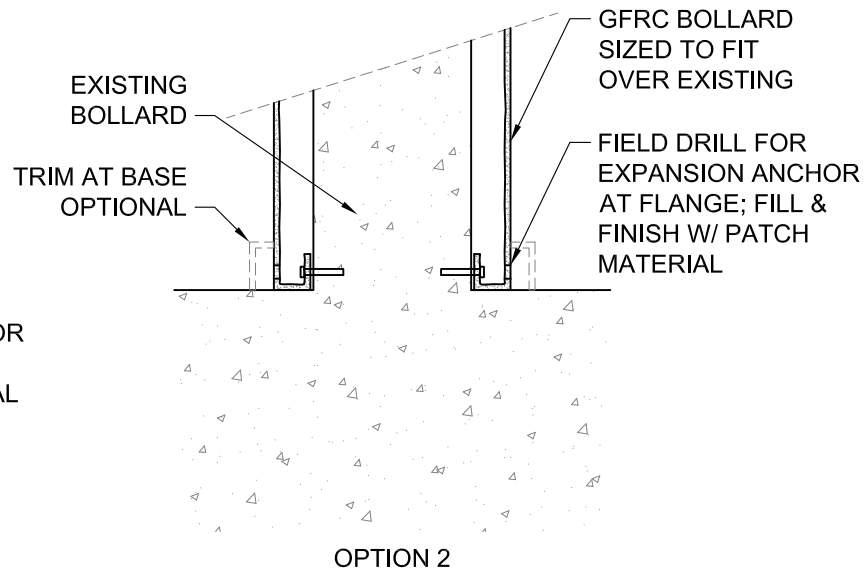
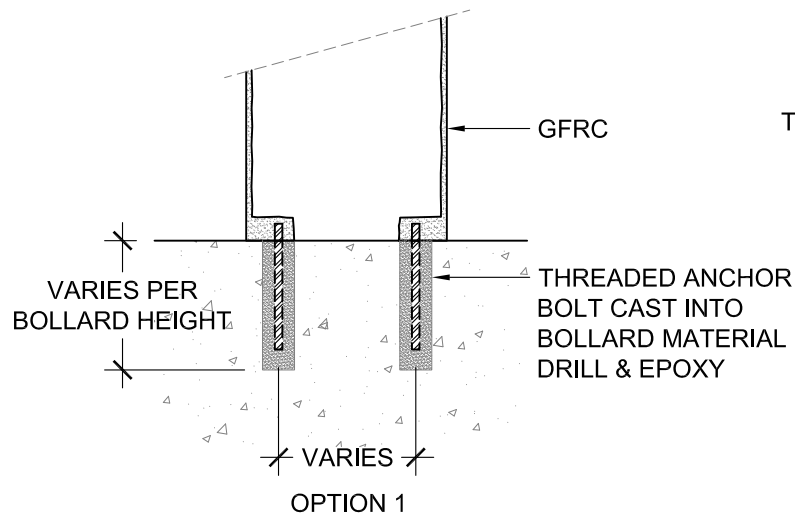


**SECTION A**  
SCALE: 1 1/2" = 1'-0"

ALL RIGHTS RESERVED. THIS DRAWING IS PROPERTY OF THE 4 KIDS INC. AND MAY BE USED ONLY WHEN UTILIZING THE 4 KIDS PRODUCTS. THE 4 KIDS INC. GENERAL TERMS AND CONDITIONS APPLY AND ARE INCORPORATE HERE IN BY REFERENCE. THIS DETAIL MAY NOT APPLY TO ALL CONDITIONS AND CONSTRUCTION SITUATIONS.

**THE 4 KIDS** CUSTOM THEMED PLAYGROUNDS  
 4400 ONEAL STREET, GREENVILLE, TX 75401 PHONE 903.454.9237 FAX 903.454.3642

TITLE: SBOP-003	TYPE DWG: BOLLARD
SCALE: AS NOTED	DWG. SHEET: <b>SBOP-003</b>



ALL RIGHTS RESERVED. THIS DRAWING IS PROPERTY OF THE 4 KIDS INC. AND MAY BE USED ONLY WHEN UTILIZING THE 4 KIDS PRODUCTS. THE 4 KIDS INC. GENERAL TERMS AND CONDITIONS APPLY AND ARE INCORPORATE HERE IN BY REFERENCE. THIS DETAIL MAY NOT APPLY TO ALL CONDITIONS AND CONSTRUCTION SITUATIONS.



**CUSTOM THEMED PLAYGROUNDS**

4400 ONEAL STREET, GREENVILLE, TX 75401 PHONE 903.454.9237 FAX 903.454.3642

TITLE: BOLLARD

TYPE DWG: MOUNTING

SCALE: AS NOTED

DWG. SHEET: **SBSP-M1**