



# Lealands Illuminated Bollard



When you need to add security to a property without making it look like a fortress, invest in security posts like our Lealands Illuminated Bollard. Shown here in the stone finish, it's crafted with glass fiber reinforced concrete, a high-quality, super-durable material that holds up under heavy impact even from vehicles. The material is resistant to weather too, making the Lealands Illuminated Bollard suitable for any climate. Our lighted security posts can be illuminated using whatever lighting method you prefer, and our team has the experience to help you make the right choice for your site.

The 4 Kids was born out of a desire to create high quality, one-of-a-kind park shelters and play environments that effectively appeal to children's natural curiosity and imagination.

All of our products are custom designed to work perfectly with your unique playground. Let us know how we can meet your specific needs by contacting our knowledgeable design specialists, today.

#### Contact Us

Ordering from The 4 Kids is easy, initial consultation & quote is free.  
We can also provide you with design ideas and conceptual drawings.  
We want your whole experience with The 4 Kids to be smooth & rewarding.

4400 Oneal St. Greenville, TX 75401

903.454.9237

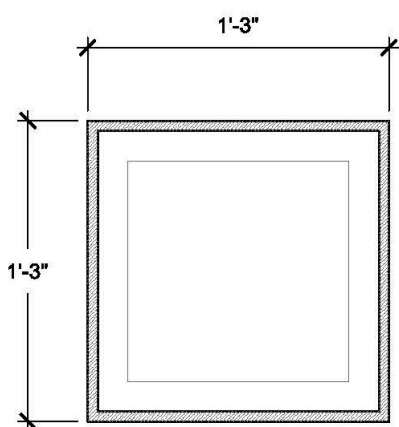
[info@the4kids.com](mailto:info@the4kids.com)

[www.the4kids.com](http://www.the4kids.com)

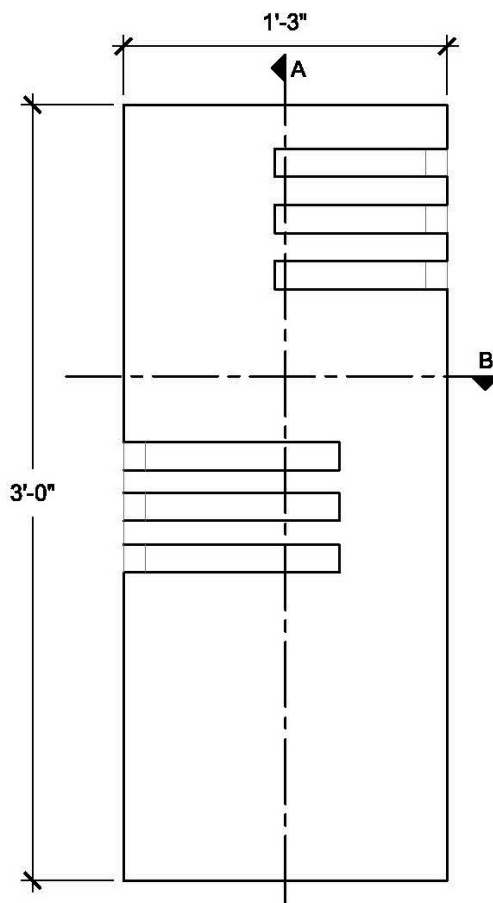
Let our team of experienced engineers and artists make your playground the destination for fun! We can create an exciting space where children's imaginations can run wild. A playscape where parents can feel secure and create lasting memories with their whole family.

**Key Features**

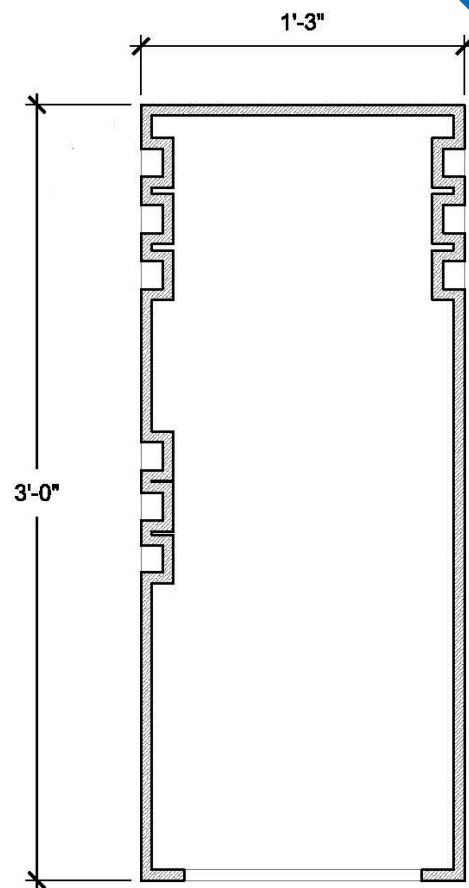
- Ability to match existing finishes on your site
- Custom design assistance available
- These decorative bollards are made to fit over an existing steel post.
- Variety of concrete finish color options available



SECTION B



FRONT VIEW



SECTION A

**Specifications**

**Use Zone:**  
N/A

**Mounting Options:**  
Installation Options

SIZE CHART		
NAME	HEIGHT	WIDTH
SBOP 002.1	2'-0"	10"
SBOP 002.2	2'-6"	1'-0"
SBOP 002.3	3'-0"	1'-3"
SBOP 002.4	3'-6"	1'-5"
SBOP 002.5	4'-0"	1'-8"

**Contact Us**

Ordering from The 4 Kids is easy, initial consultation & quote is free. We can also provide you with design ideas and conceptual drawings. We want your whole experience with The 4 Kids to be smooth & rewarding.

4400 Oneal St. Greenville, TX 75401

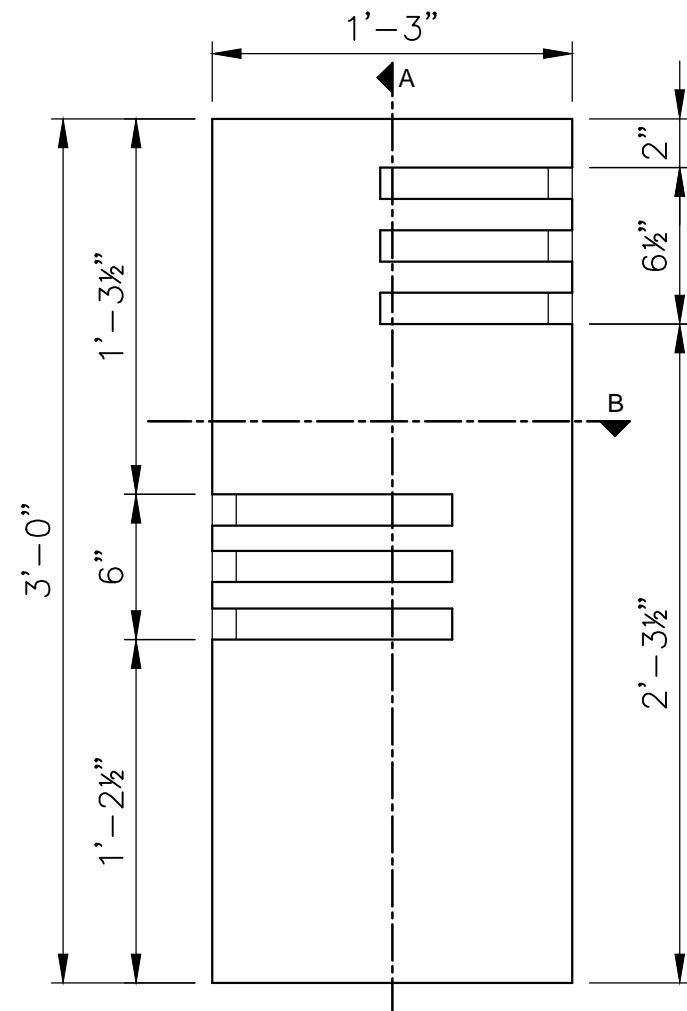
903.454.9237

info@the4kids.com

www.the4kids.com

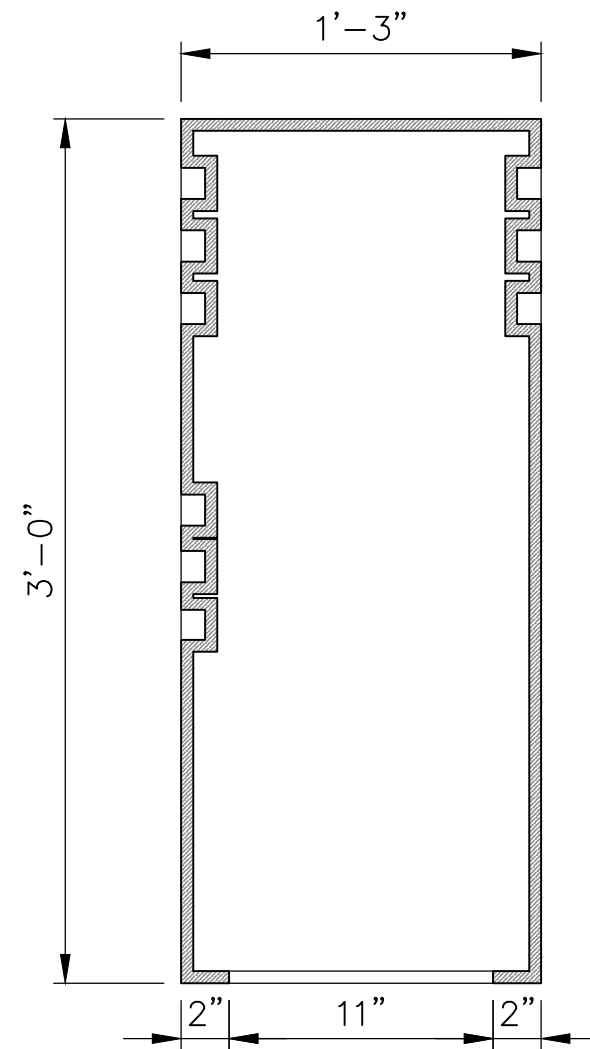
\* SUBJECT TO THE4KIDS ARTISTIC INTERPRETATION

SIZE CHART		
NAME	HEIGHT	WIDTH
SBOP 002.1	2'-0"	10"
SBOP 002.2	2'-6"	1'-0"
SBOP 002.3	3'-0"	1'-3"
SBOP 002.4	3'-6"	1'-5"
SBOP 002.5	4'-0"	1'-8"



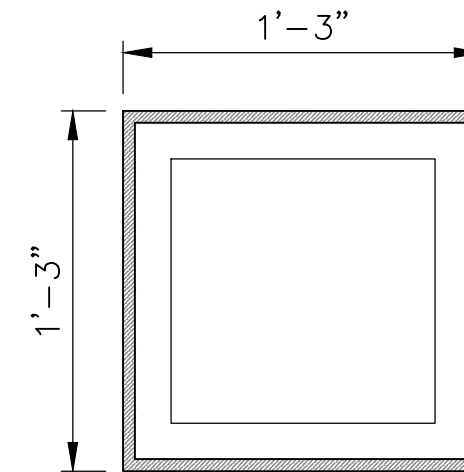
**FRONT ELEVATION**

SCALE: 1-1/2" = 1'




**SECTION A**

SCALE: 1-1/2" = 1'



**SECTION B**

SCALE: 1-1/2" = 1'

PROJECT:	TITLE:	ITEM ID: BOL107		MATERIAL: GFRC	
	LEALANDS ILLUMINATED BOLLARD	MOLD	APX. TTL. WEIGHT	TOTAL # OF ITEM: -	
 <p>ALL RIGHTS RESERVED. THIS DRAWING IS PROPERTY OF THE 4 KIDS INC. AND MAY BE USED ONLY WHEN UTILIZING THE 4 KIDS INC. GENERAL TERMS AND CONDITIONS APPLY. THIS DETAIL MAY NOT APPLY TO ALL CONDITIONS. 4400 ONEAL STREET, GREENVILLE, TX 75401 PHONE 903.454.9237 FAX 903.454.3642</p>	TYPE DWG: FABRICATION		TOTAL SQ. FEET: - [- sqm.]		
	SCALE: AS NOTED		SHEET:	DRAWN BY:	DATE:
				DWG. SHEET:	