



Lealands Illuminated Bollard



When you need to add security to a property without making it look like a fortress, invest in security posts like our Lealands Illuminated Bollard. Shown here in the stone finish, it's crafted with glass fiber reinforced concrete, a high-quality, super-durable material that holds up under heavy impact even from vehicles. The material is resistant to weather too, making the Lealands Illuminated Bollard suitable for any climate. Our lighted security posts can be illuminated using whatever lighting method you prefer, and our team has the experience to help you make the right choice for your site.

The 4 Kids was born out of a desire to create high quality, one-of-a-kind park shelters and play environments that effectively appeal to children's natural curiosity and imagination.

All of our products are custom designed to work perfectly with your unique playground. Let us know how we can meet your specific needs by contacting our knowledgeable design specialists, today.

Contact Us

Ordering from The 4 Kids is easy, initial consultation & quote is free.
We can also provide you with design ideas and conceptual drawings.
We want your whole experience with The 4 Kids to be smooth & rewarding.

4400 Oneal St. Greenville, TX 75401

903.454.9237

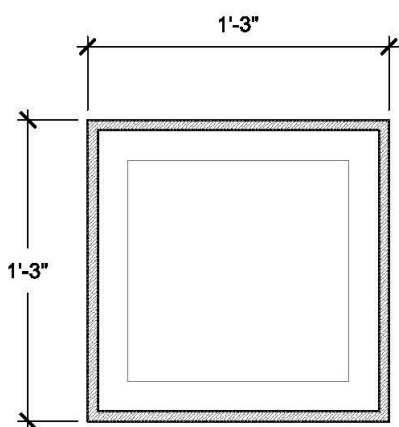
info@the4kids.com

www.the4kids.com

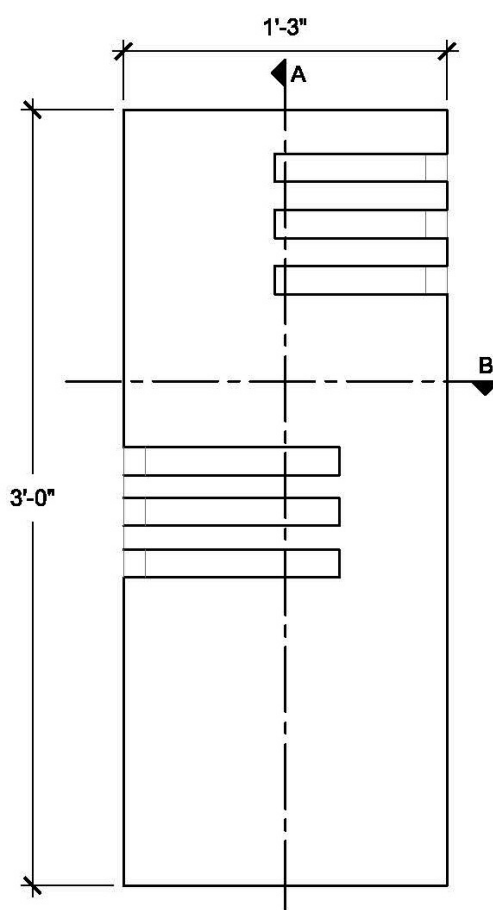
Let our team of experienced engineers and artists make your playground the destination for fun! We can create an exciting space where children's imaginations can run wild. A playscape where parents can feel secure and create lasting memories with their whole family.

Key Features

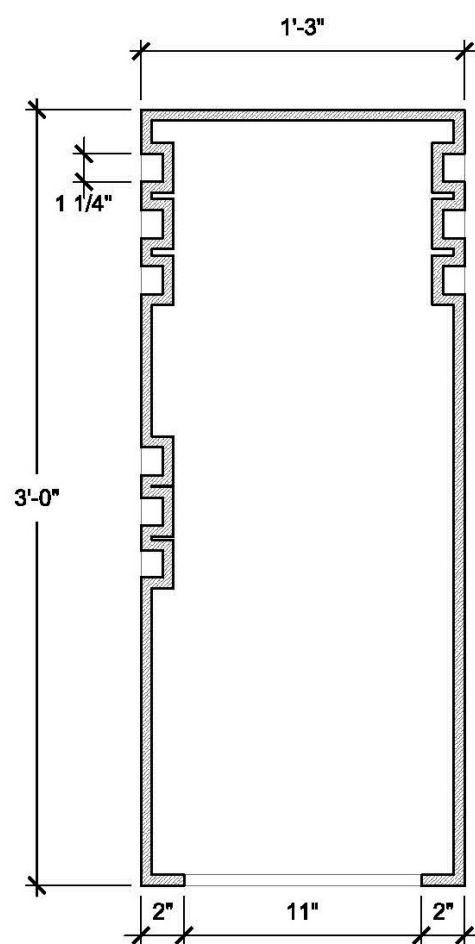
- Offered in a range of colors
- Concrete finish also available
- Manufacturer-direct prices
- Friendly customer service team on hand to answer questions
- No-cost quote



SECTION B



FRONT VIEW



SECTION A

Specifications

Age Range:
N/A

Dimensions:
1'3"D x 3'H

Use Zone:
N/A

Mounting Options:
See Typical
Installation Details

SIZE CHART

NAME	HEIGHT	WIDTH
SBOP 002.1	2'-0"	10"
SBOP 002.2	2'-6"	1'-0"
SBOP 002.3	3'-0"	1'-3"
SBOP 002.4	3'-6"	1'-5"
SBOP 002.5	4'-0"	1'-8"

Contact Us

Ordering from The 4 Kids is easy, initial consultation & quote is free. We can also provide you with design ideas and conceptual drawings. We want your whole experience with The 4 Kids to be smooth & rewarding.

4400 Oneal St. Greenville, TX 75401

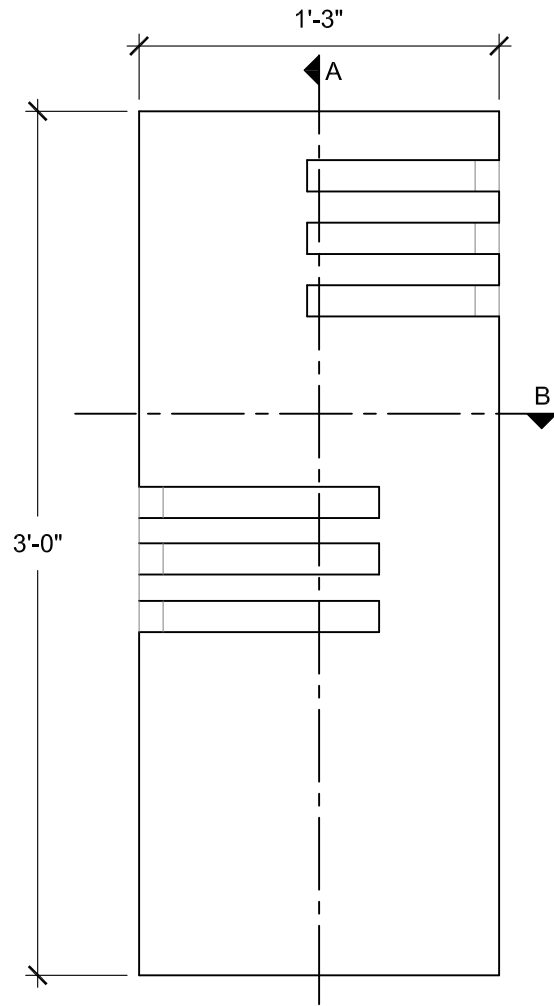
903.454.9237

info@the4kids.com

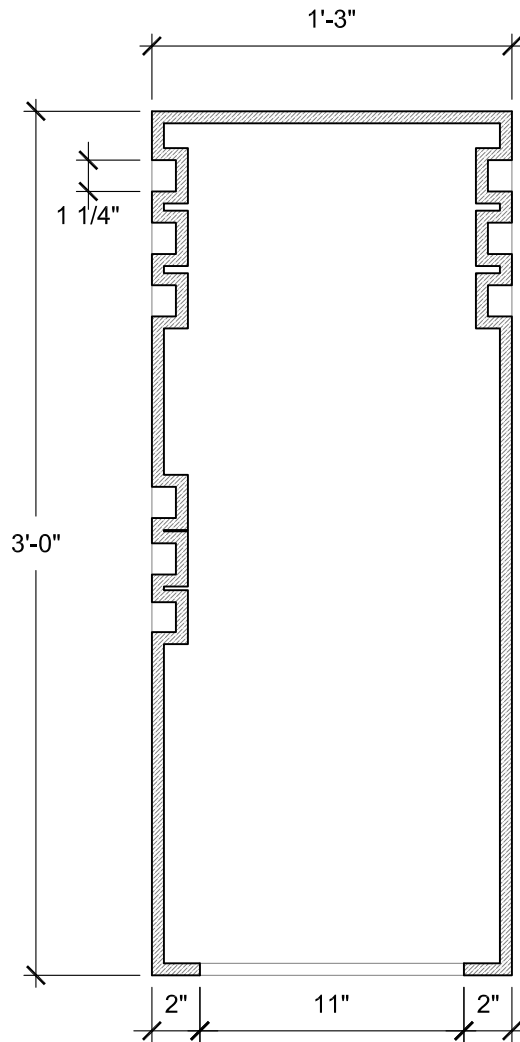
www.the4kids.com

SIZE CHART

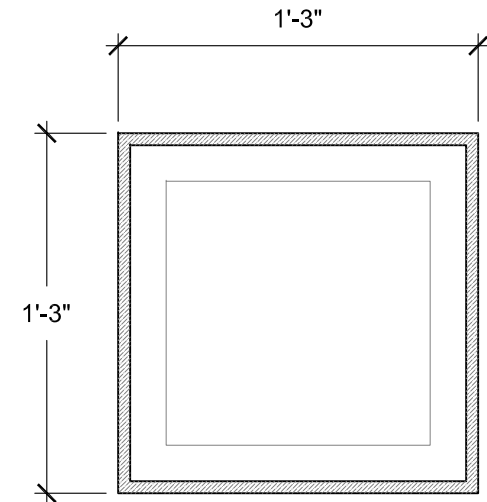
NAME	HEIGHT	WIDTH
SBOP 002.1	2'-0"	10"
SBOP 002.2	2'-6"	1'-0"
SBOP 002.3	3'-0"	1'-3"
SBOP 002.4	3'-6"	1'-5"
SBOP 002.5	4'-0"	1'-8"



FRONT VIEW
SCALE: 1 1/2" = 1'-0"



SECTION A
SCALE: 1 1/2" = 1'-0"



SECTION B
SCALE: 1 1/2" = 1'-0"

ALL RIGHTS RESERVED. THIS DRAWING IS PROPERTY OF THE 4 KIDS INC. AND MAY BE USED ONLY WHEN UTILIZING THE 4 KIDS PRODUCTS. THE 4 KIDS INC. GENERAL TERMS AND CONDITIONS APPLY AND ARE INCORPORATE HERE IN BY REFERENCE. THIS DETAIL MAY NOT APPLY TO ALL CONDITIONS AND CONSTRUCTION SITUATIONS.



CUSTOM THEMED PLAYGROUNDS

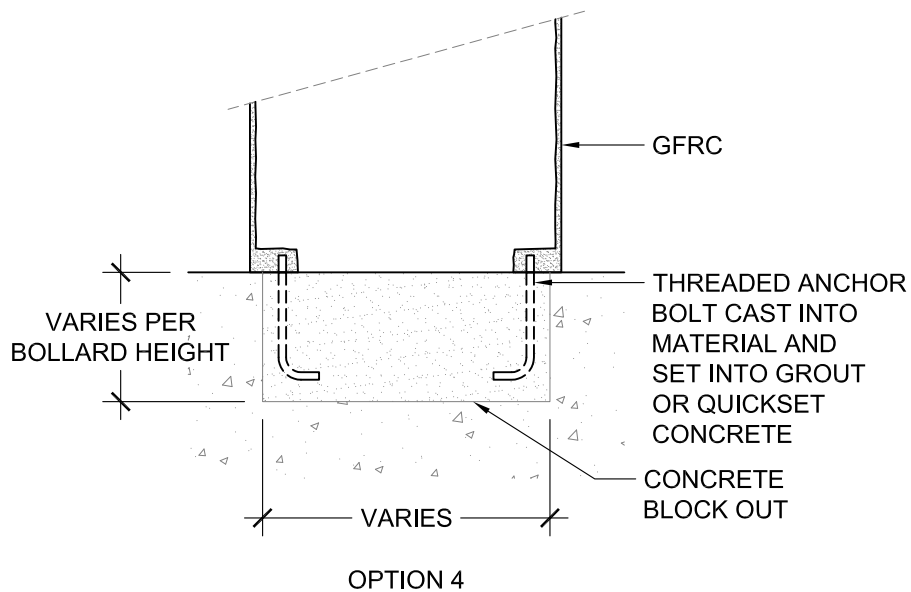
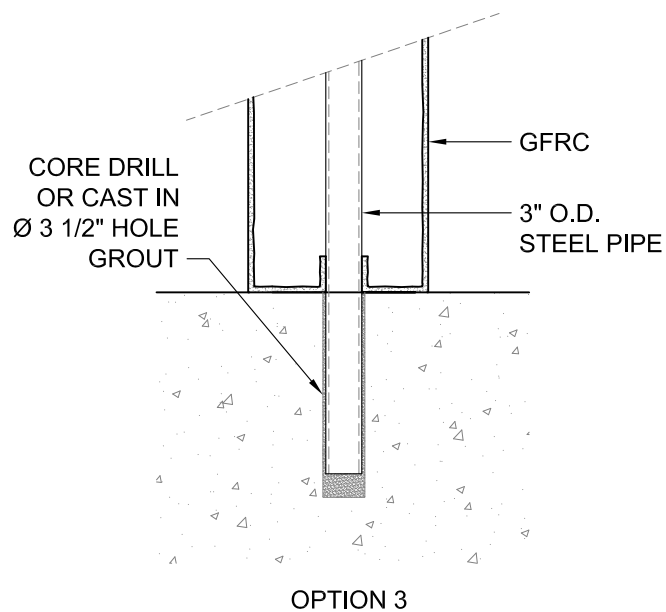
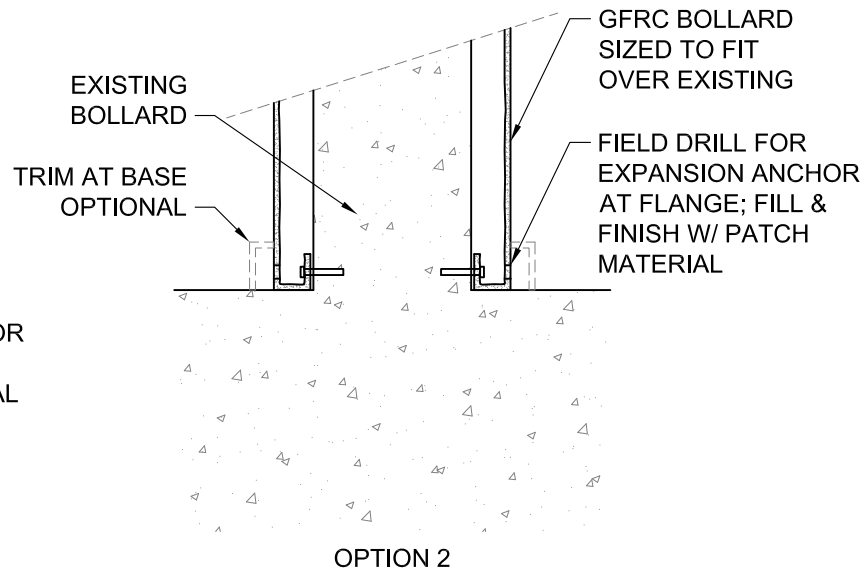
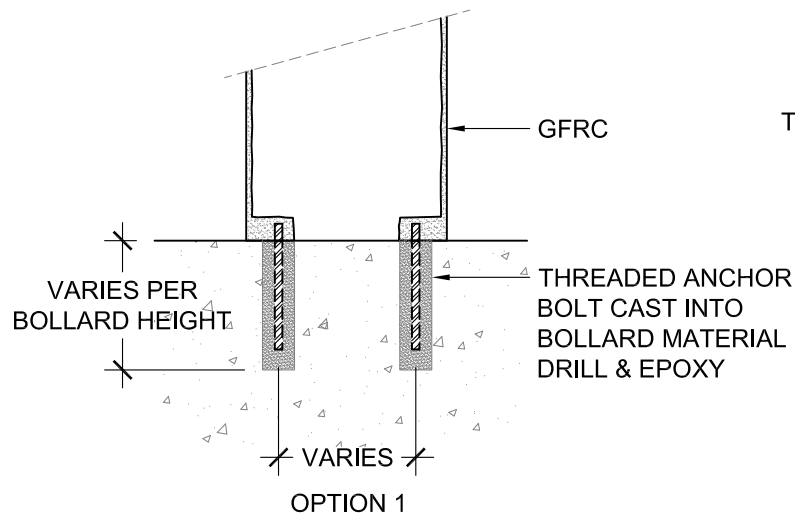
4400 ONEAL STREET, GREENVILLE, TX 75401 PHONE 903.454.9237 FAX 903.454.3642

TITLE: SBOP-002

TYPE DWG: BOLLARD

SCALE: AS NOTED

DWG. SHEET: **SBOP-002**



ALL RIGHTS RESERVED. THIS DRAWING IS PROPERTY OF THE 4 KIDS INC. AND MAY BE USED ONLY WHEN UTILIZING THE 4 KIDS PRODUCTS. THE 4 KIDS INC. GENERAL TERMS AND CONDITIONS APPLY AND ARE INCORPORATE HERE IN BY REFERENCE. THIS DETAIL MAY NOT APPLY TO ALL CONDITIONS AND CONSTRUCTION SITUATIONS.



CUSTOM THEMED PLAYGROUNDS

4400 ONEAL STREET, GREENVILLE, TX 75401 PHONE 903.454.9237 FAX 903.454.3642

TITLE: BOLLARD

TYPE DWG: MOUNTING

SCALE: AS NOTED

DWG. SHEET: **SBSP-M1**