



# New London Illuminated Bollard

---

---



Our designers crafted the modern lines of the New London Illuminated Bollard using glass fiber reinforced concrete (GFRC), a material known for its strength and durability. It will hold up under heavy impact and nearly any weather condition. It's pictured here in stone finish, but we also offer concrete finish. No matter which look you choose, we provide a range of color options to complement any building or landscape. Our New London Illuminated Bollard can be lit using the lighting method of your choice - ask our experienced consultants for more info on lighting options.

The 4 Kids was born out of a desire to create high quality, one-of-a-kind park shelters and play environments that effectively appeal to children's natural curiosity and imagination.

All of our products are custom designed to work perfectly with your unique playground. Let us know how we can meet your specific needs by contacting our knowledgeable design specialists, today.

## Contact Us

Ordering from The 4 Kids is easy, initial consultation & quote is free.  
We can also provide you with design ideas and conceptual drawings.  
We want your whole experience with The 4 Kids to be smooth & rewarding.

4400 Oneal St. Greenville, TX 75401

903.454.9237

[info@the4kids.com](mailto:info@the4kids.com)

[www.the4kids.com](http://www.the4kids.com)

## Why Use Us?

Let our team of experienced engineers and artists make your playground the destination for fun! We can create an exciting space where children's imaginations can run wild. A playscape where parents can feel secure and create lasting memories with their whole family.

## Key Features

- Part of our extensive line of security posts, which also includes planter bollards
- Manufactured in America
- Friendly and knowledgeable customer service team
- Free, no-hassle consultation and quote

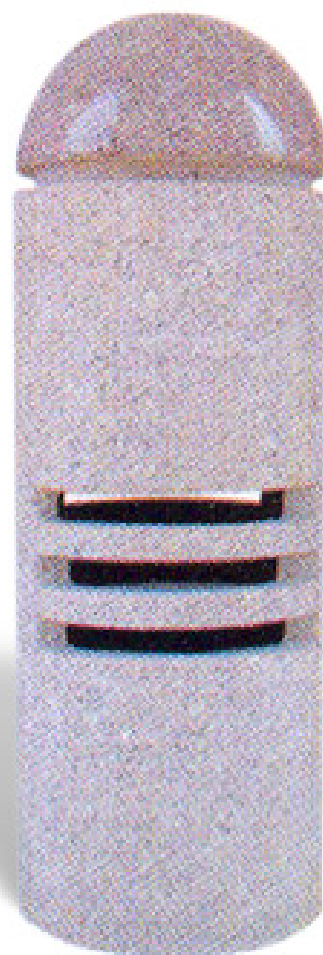
## Specifications

**Age Range:**  
N/A

**Dimensions:**  
1'D x 3'H

**Use Zone:**  
N/A

**Mounting Options:**  
See Typical  
Installation Details



## Contact Us

Ordering from The 4 Kids is easy, initial consultation & quote is free. We can also provide you with design ideas and conceptual drawings. We want your whole experience with The 4 Kids to be smooth & rewarding.

4400 Oneal St. Greenville, TX 75401

903.454.9237

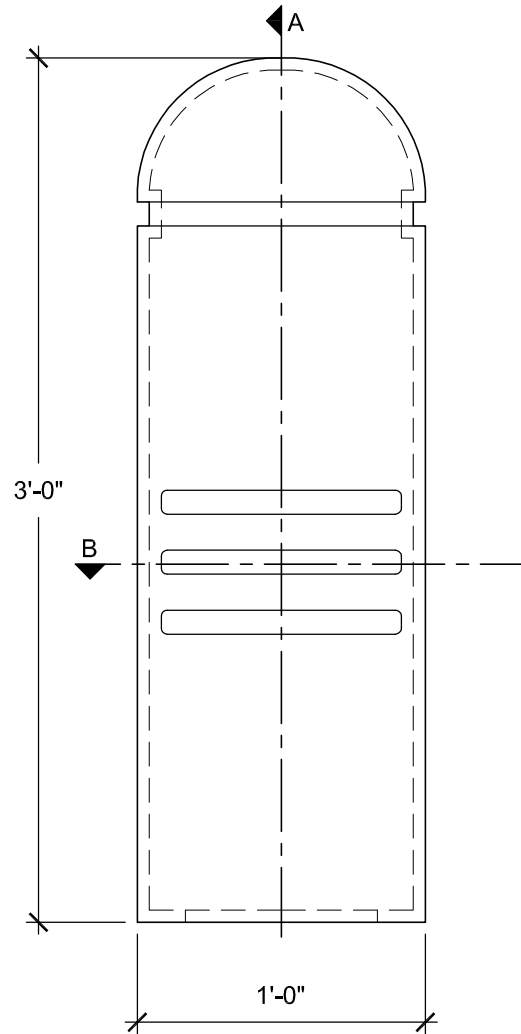
[info@the4kids.com](mailto:info@the4kids.com)

[www.the4kids.com](http://www.the4kids.com)

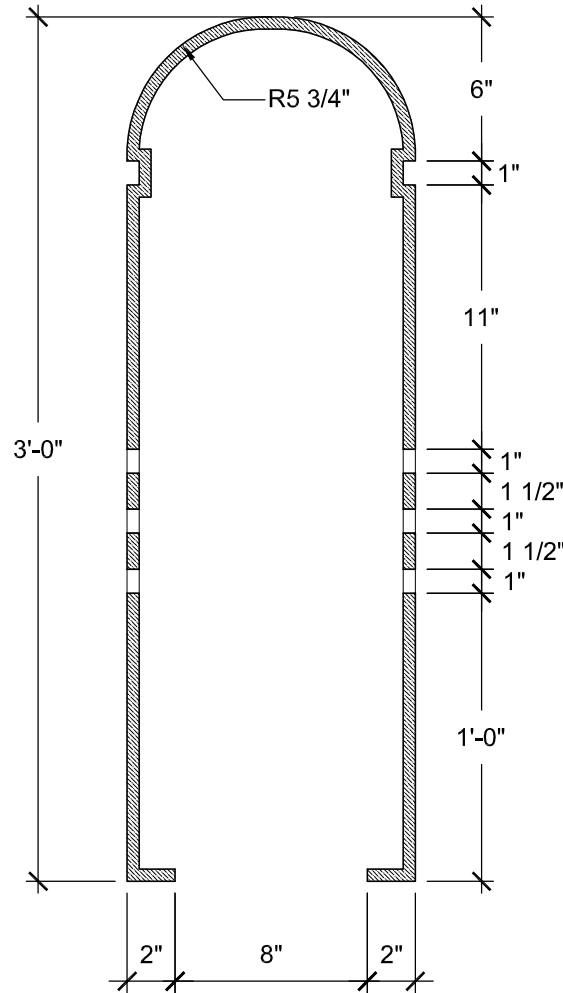
© 2014 The 4 Kids Inc. All rights reserved.

## SIZE CHART

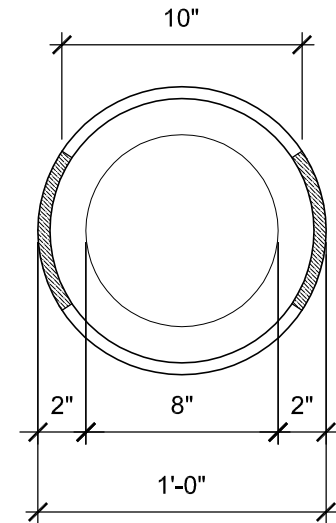
NAME	HEIGHT	WIDTH
SBSP 027.1	2'-0"	0'-8"
SBSP 027.2	2'-6"	0'-10"
SBSP 027.3	3'-0"	1'-0"
SBSP 027.4	3'-6"	1'-2"
SBSP 027.5	4'-0"	1'-4"



FRONT VIEW  
SCALE: 1 1/2" = 1'-0"

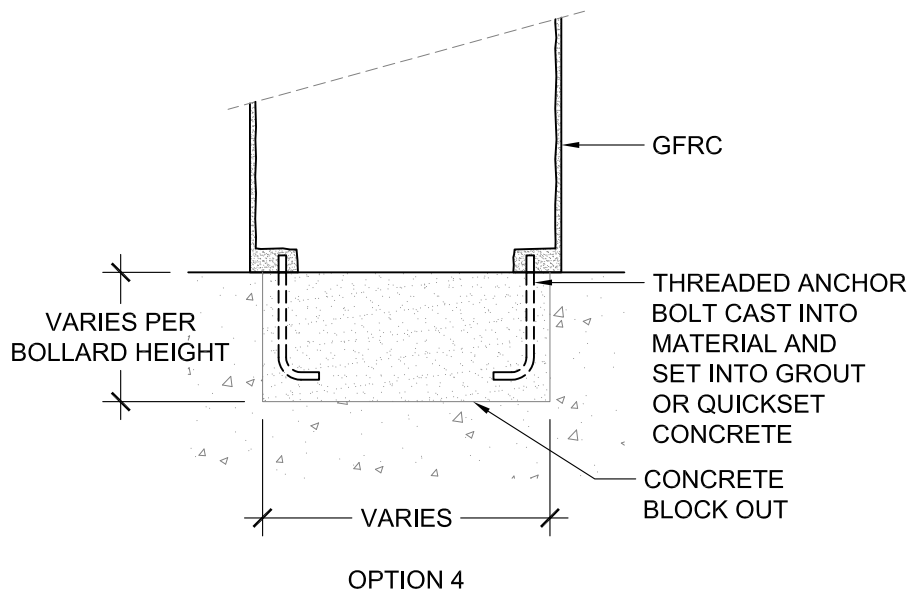
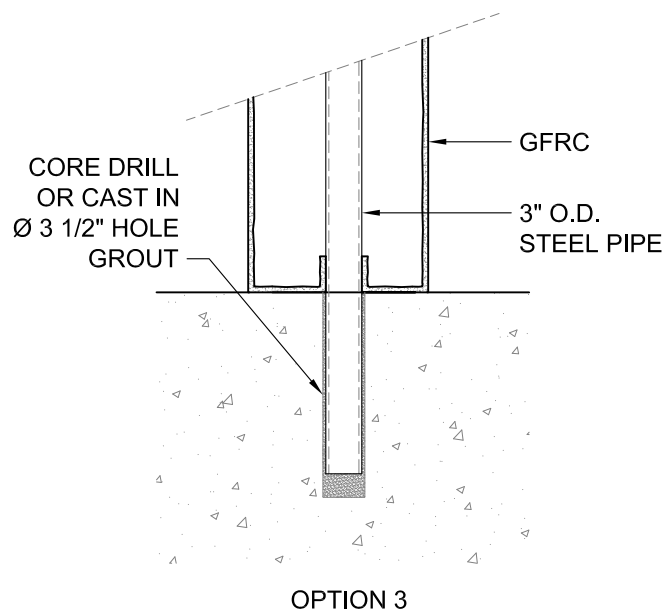
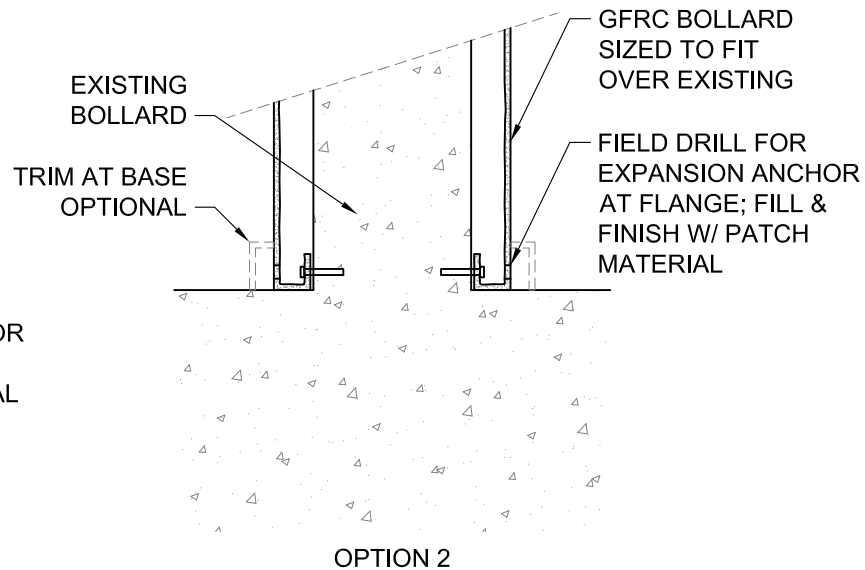
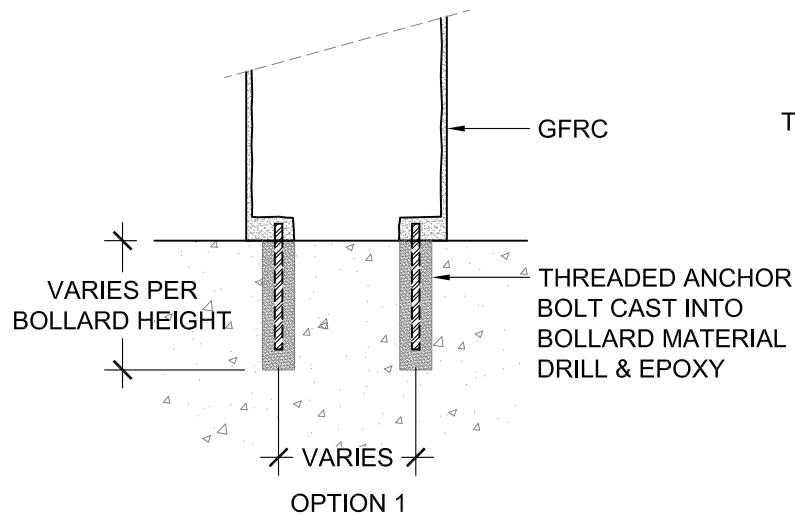


SECTION A  
SCALE: 1 1/2" = 1'-0"



SECTION B  
SCALE: 1 1/2" = 1'-0"

ALL RIGHTS RESERVED. THIS DRAWING IS PROPERTY OF STROMBERG ARCHITECTURAL PRODUCTS INC. AND MAY BE USED ONLY WHEN UTILIZING STROMBERG ARCH. PRODUCTS.  
STROMBERG GENERAL TERMS AND CONDITIONS APPLY AND ARE INCORPORATED HERE IN BY REFERENCE.  
THIS DETAIL MAY NOT APPLY TO ALL CONDITIONS AND CONSTRUCTION SITUATIONS.



ALL RIGHTS RESERVED. THIS DRAWING IS PROPERTY OF THE 4 KIDS INC. AND MAY BE USED ONLY WHEN UTILIZING THE 4 KIDS PRODUCTS. THE 4 KIDS INC. GENERAL TERMS AND CONDITIONS APPLY AND ARE INCORPORATE HERE IN BY REFERENCE. THIS DETAIL MAY NOT APPLY TO ALL CONDITIONS AND CONSTRUCTION SITUATIONS.



**CUSTOM THEMED PLAYGROUNDS**

4400 ONEAL STREET, GREENVILLE, TX 75401 PHONE 903.454.9237 FAX 903.454.3642

TITLE: BOLLARD

TYPE DWG: MOUNTING

SCALE: AS NOTED

DWG. SHEET: **SBSP-M1**