

# Redding Bollard



When safety and security are important on your site, invest in the Redding Bollard. This security post is manufactured with GFRC (glass fiber reinforced concrete), a material known for its durability and strength. GFRC is ideal for bollards because it makes the structures strong enough to withstand hard impacts. This material is also resistant to virtually any weather condition, and it's low maintenance. The Redding Bollard is more than functional -- it also provides visual interest with a unique silhouette, making it an attractive option for casinos, museums, schools, or office buildings.

The 4 Kids was born out of a desire to create high quality, one-of-a-kind park shelters and play environments that effectively appeal to children's natural curiosity and imagination.

All of our products are custom designed to work perfectly with your unique playground. Let us know how we can meet your specific needs by contacting our knowledgeable design specialists, today.

## Contact Us

Ordering from The 4 Kids is easy, initial consultation & quote is free.  
We can also provide you with design ideas and conceptual drawings.  
We want your whole experience with The 4 Kids to be smooth & rewarding.

4400 Oneal St. Greenville, TX 75401

903.454.9237

[info@the4kids.com](mailto:info@the4kids.com)

[www.the4kids.com](http://www.the4kids.com)

## Why Use Us?

Let our team of experienced engineers and artists make your playground the destination for fun! We can create an exciting space where children's imaginations can run wild. A playscape where parents can feel secure and create lasting memories with their whole family.

## Key Features

- Fully customizable size
- Available in a range of colors
- Part of our full line of high-quality bollards
- Expert customer service team on hand to help you
- Free, no-hassle quote

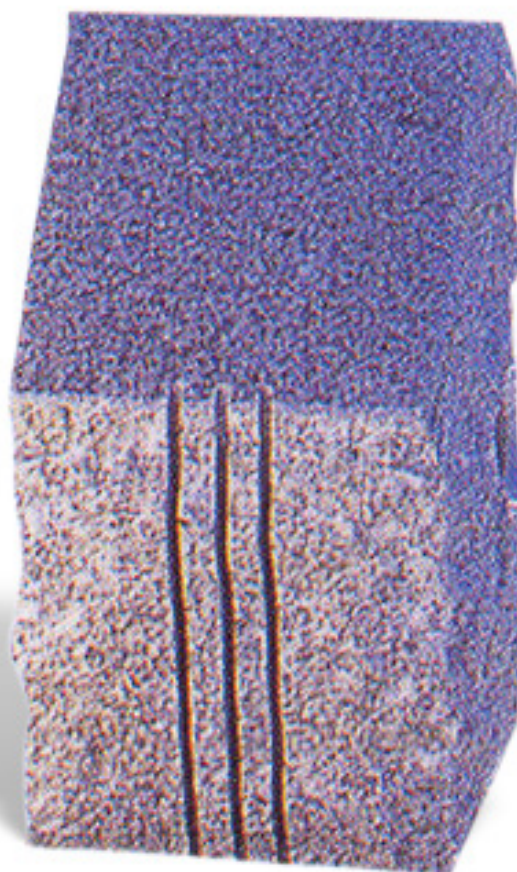
## Specifications

**Age Range:**  
N/A

**Dimensions:**  
32"L x 32"W x 36"H

**Use Zone:**  
N/A

**Mounting Options:**  
See Typical  
Installation Details



## Contact Us

Ordering from The 4 Kids is easy, initial consultation & quote is free. We can also provide you with design ideas and conceptual drawings. We want your whole experience with The 4 Kids to be smooth & rewarding.

4400 Oneal St. Greenville, TX 75401

903.454.9237

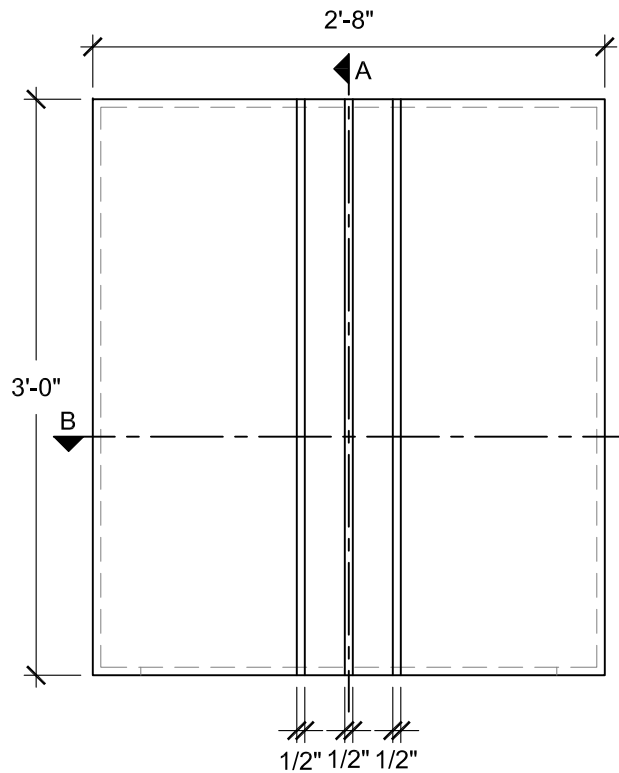
[info@the4kids.com](mailto:info@the4kids.com)

[www.the4kids.com](http://www.the4kids.com)

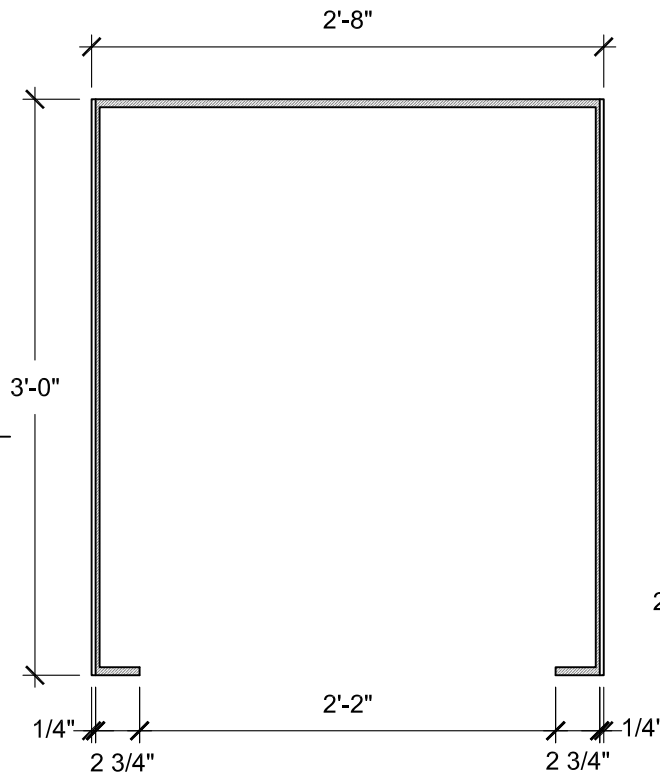
© 2014 The 4 Kids Inc. All rights reserved.

# SIZE CHART

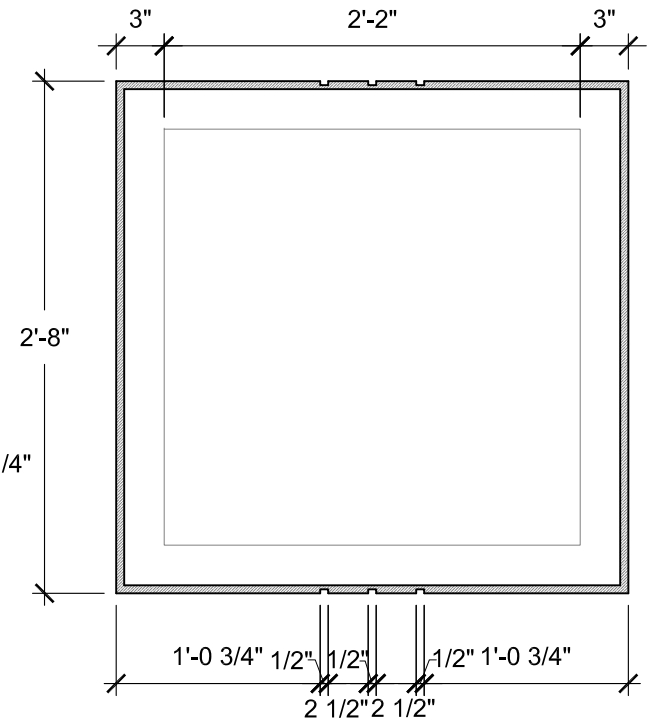
NAME	HEIGHT	WIDTH
SBSP 029.1	2'-0"	1'-10"
SBSP 029.2	2'-6"	2'-3"
SBSP 029.3	3'-0"	2'-8"
SBSP 029.4	3'-6"	3'-1"
SBSP 029.5	4'-0"	3'-6"



FRONT VIEW  
SCALE: 1"= 1'-0"

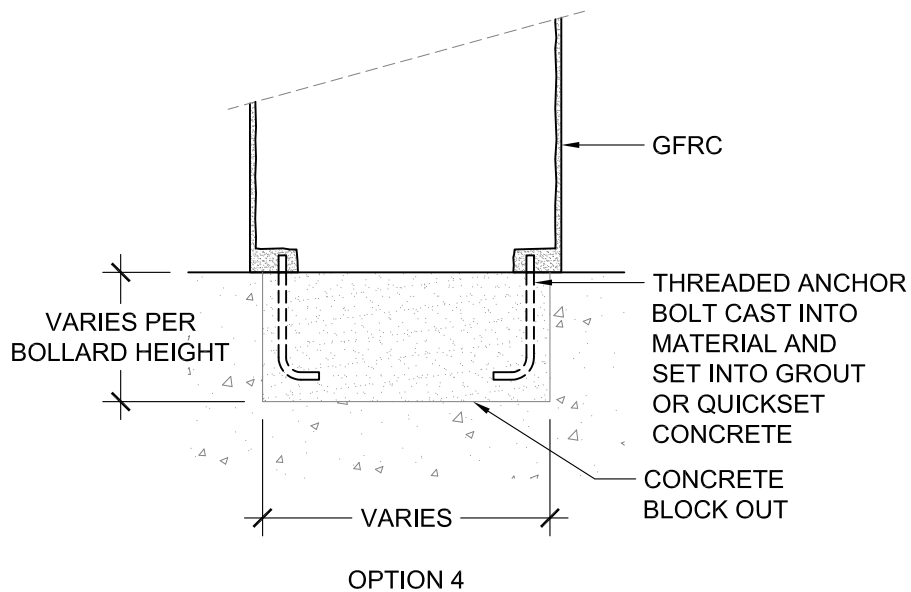
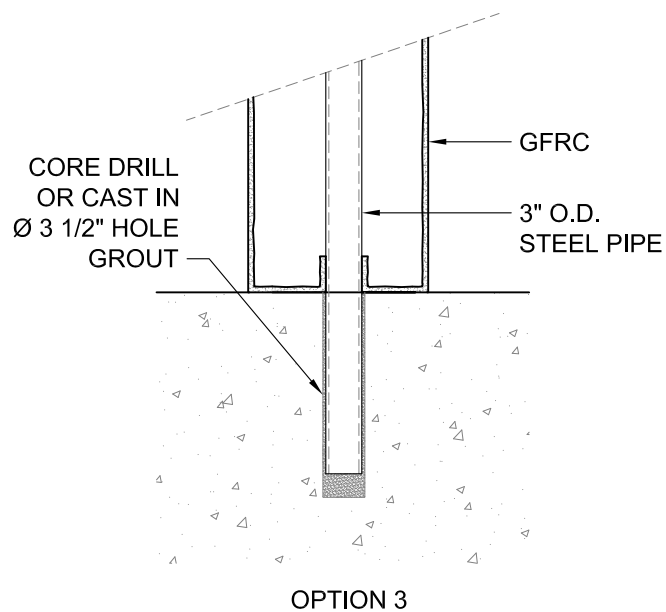
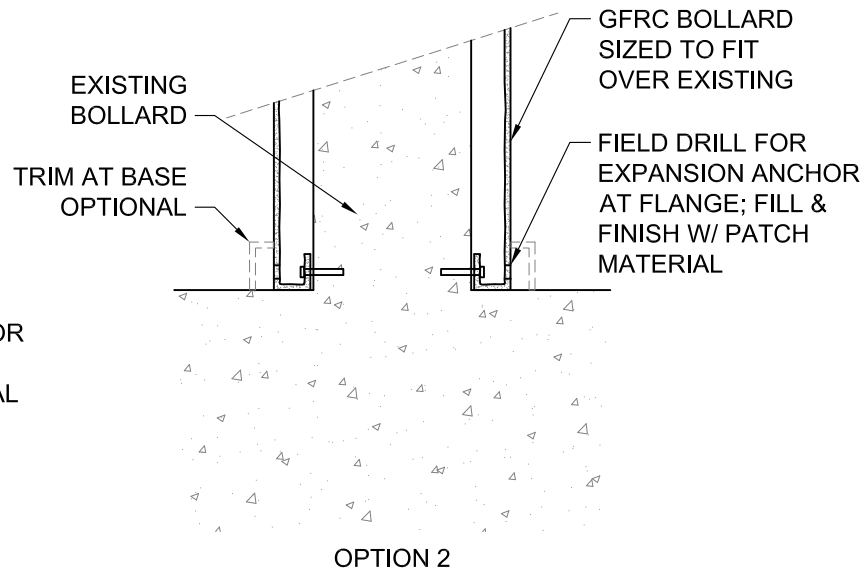
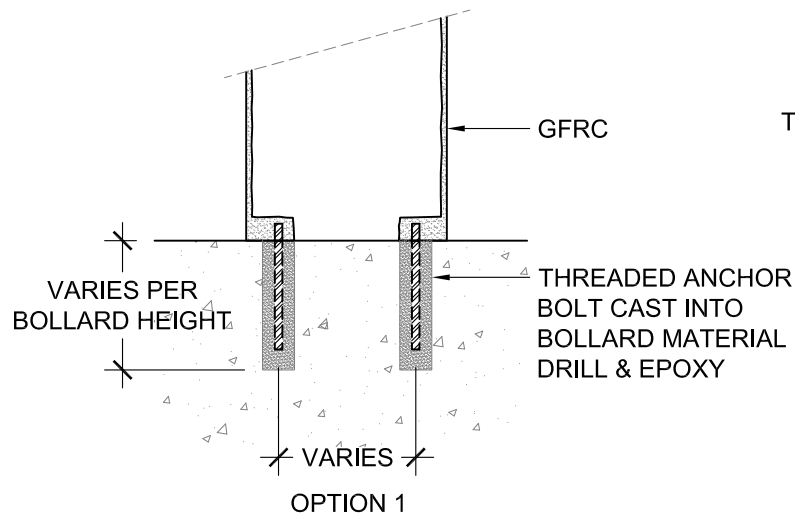


SECTION A  
SCALE: 1"= 1'-0"



SECTION B  
SCALE: 1"= 1'-0"

ALL RIGHTS RESERVED. THIS DRAWING IS PROPERTY OF STROMBERG ARCHITECTURAL PRODUCTS INC. AND MAY BE USED ONLY WHEN UTILIZING STROMBERG ARCH. PRODUCTS.  
STROMBERG GENERAL TERMS AND CONDITIONS APPLY AND ARE INCORPORATED HERE IN BY REFERENCE.  
THIS DETAIL MAY NOT APPLY TO ALL CONDITIONS AND CONSTRUCTION SITUATIONS.



ALL RIGHTS RESERVED. THIS DRAWING IS PROPERTY OF THE 4 KIDS INC. AND MAY BE USED ONLY WHEN UTILIZING THE 4 KIDS PRODUCTS. THE 4 KIDS INC. GENERAL TERMS AND CONDITIONS APPLY AND ARE INCORPORATE HERE IN BY REFERENCE. THIS DETAIL MAY NOT APPLY TO ALL CONDITIONS AND CONSTRUCTION SITUATIONS.



**CUSTOM THEMED PLAYGROUNDS**

4400 ONEAL STREET, GREENVILLE, TX 75401 PHONE 903.454.9237 FAX 903.454.3642

TITLE: BOLLARD

TYPE DWG: MOUNTING

SCALE: AS NOTED

DWG. SHEET: **SBSP-M1**