

Somerset Bollard



Bolster security, create livable streets, or divert traffic with the Somerset Bollard. We've designed this custom security post to withstand impact while adding visual appeal to any property, including casinos, schools, hospitals, museums, or office buildings. It's pictured here in the popular concrete finish, which is offered in many colors. Our team uses only high-quality material engineered to maintain its strength and durability through years of use. The Somerset Bollard's size is also customizable for the perfect look. This security post is easy to install and simple to maintain.

The 4 Kids was born out of a desire to create high quality, one-of-a-kind park shelters and play environments that effectively appeal to children's natural curiosity and imagination.

All of our products are custom designed to work perfectly with your unique playground. Let us know how we can meet your specific needs by contacting our knowledgeable design specialists, today.

Contact Us

Ordering from The 4 Kids is easy, initial consultation & quote is free.
We can also provide you with design ideas and conceptual drawings.
We want your whole experience with The 4 Kids to be smooth & rewarding.

4400 Oneal St. Greenville, TX 75401

903.454.9237

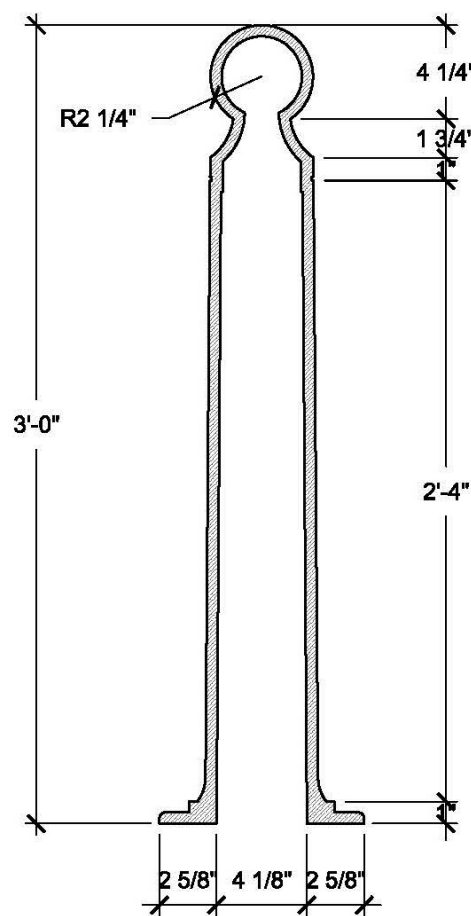
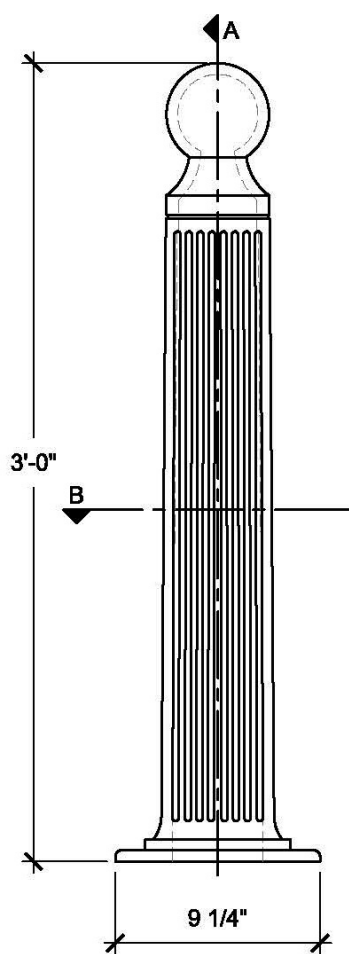
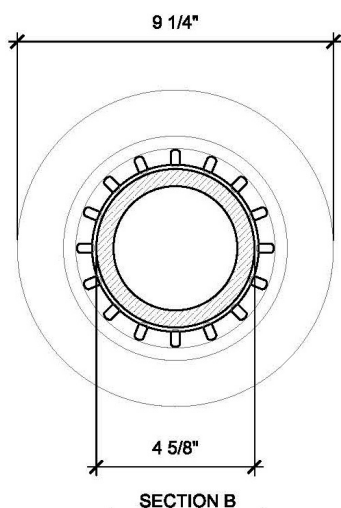
info@the4kids.com

www.the4kids.com

Let our team of experienced engineers and artists make your playground the destination for fun! We can create an exciting space where children's imaginations can run wild. A playscape where parents can feel secure and create lasting memories with their whole family.

Key Features

- Ornamental bollards available in a wide range of styles
- Stone finish also offered
- Custom design available
- Friendly customer service team ready to answer questions
- No-cost consultation and quote



Specifications

Age Range:
N/A

Dimensions:
9-1/4"D x 3'H

Use Zone:
N/A

Mounting Options:
See Typical Installation Details

SIZE CHART

NAME	HEIGHT	WIDTH
SBO 004.1	2'-0"	6 1/4"
SBO 004.2	2'-6"	7 3/4"
SBO 004.3	3'-0"	9 1/4"
SBO 004.4	3'-6"	10 3/4"
SBO 004.5	4'-0"	1'-0 1/4"

Contact Us

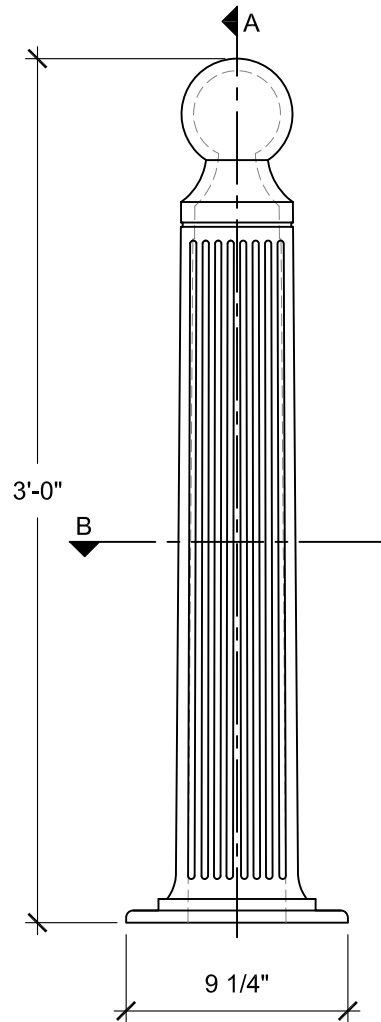
Ordering from The 4 Kids is easy, initial consultation & quote is free. We can also provide you with design ideas and conceptual drawings. We want your whole experience with The 4 Kids to be smooth & rewarding.

4400 Oneal St. Greenville, TX 75401

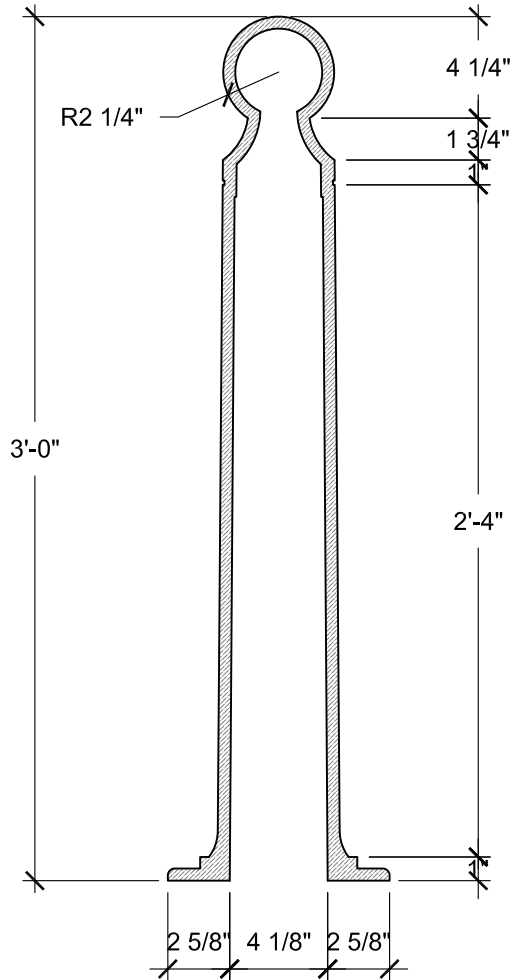
903.454.9237

info@the4kids.com

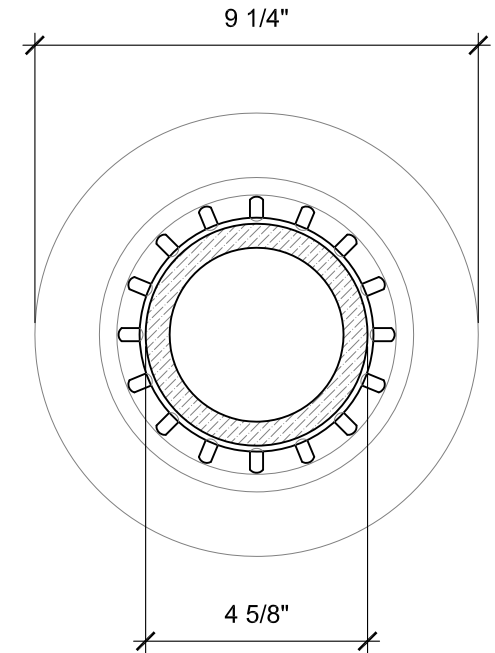
www.the4kids.com



FRONT VIEW
SCALE: 1 1/2" = 1'-0"



SECTION A
SCALE: 1 1/2" = 1'-0"



SECTION B
SCALE: 3" = 1'-0"

SIZE CHART		
NAME	HEIGHT	WIDTH
SBO 004.1	2'-0"	6 1/4"
SBO 004.2	2'-6"	7 3/4"
SBO 004.3	3'-0"	9 1/4"
SBO 004.4	3'-6"	10 3/4"
SBO 004.5	4'-0"	1'-0 1/4"

ALL RIGHTS RESERVED. THIS DRAWING IS PROPERTY OF THE 4 KIDS INC. AND MAY BE USED ONLY WHEN UTILIZING THE 4 KIDS PRODUCTS. THE 4 KIDS INC. GENERAL TERMS AND CONDITIONS APPLY AND ARE INCORPORATE HERE IN BY REFERENCE. THIS DETAIL MAY NOT APPLY TO ALL CONDITIONS AND CONSTRUCTION SITUATIONS.



CUSTOM THEMED PLAYGROUNDS

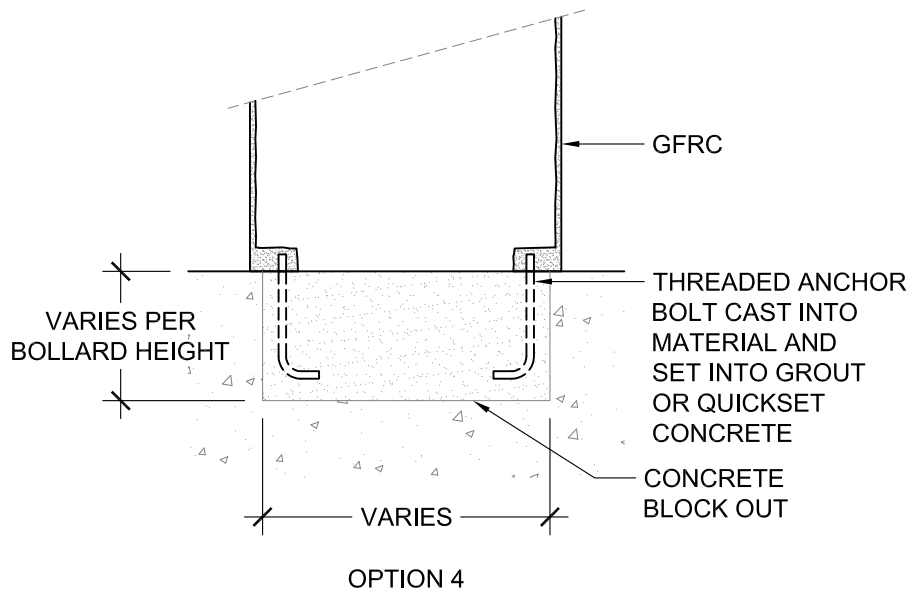
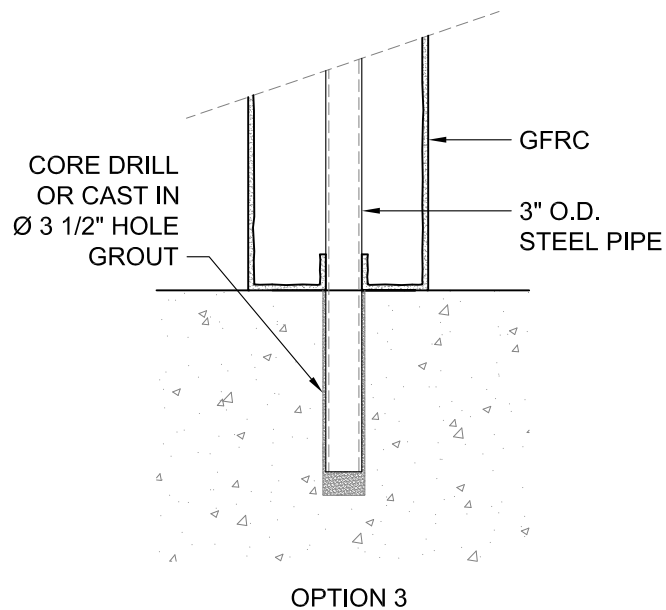
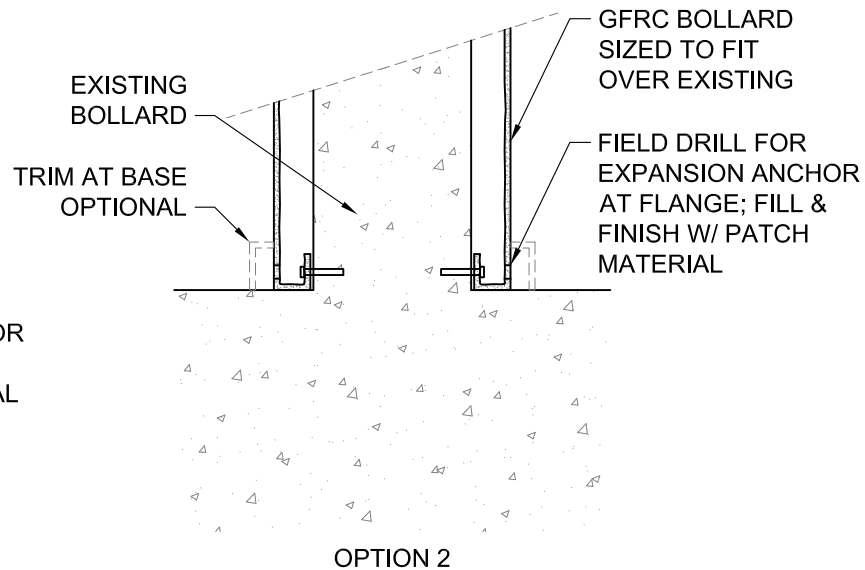
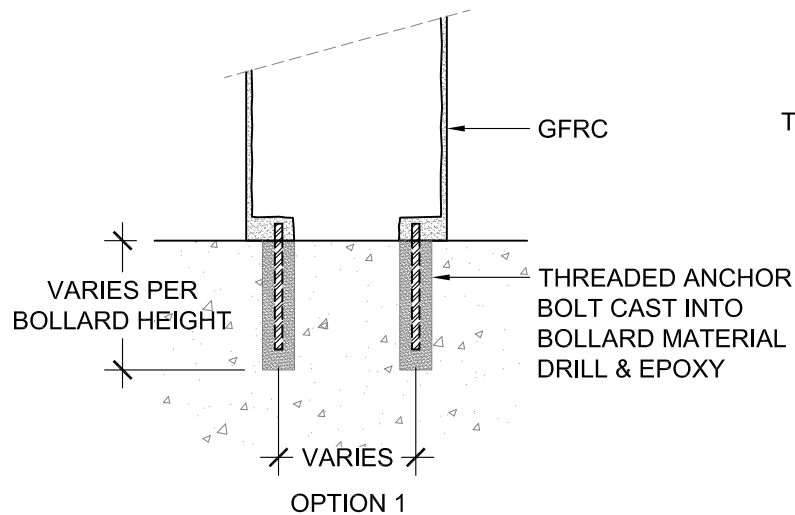
4400 ONEAL STREET, GREENVILLE, TX 75401 PHONE 903.454.9237 FAX 903.454.3642

TITLE: SOMERSET BOLLARD

TYPE DWG: SBO-004

SCALE: AS NOTED

DWG. SHEET: **SBO-004**



ALL RIGHTS RESERVED. THIS DRAWING IS PROPERTY OF THE 4 KIDS INC. AND MAY BE USED ONLY WHEN UTILIZING THE 4 KIDS PRODUCTS. THE 4 KIDS INC. GENERAL TERMS AND CONDITIONS APPLY AND ARE INCORPORATE HERE IN BY REFERENCE. THIS DETAIL MAY NOT APPLY TO ALL CONDITIONS AND CONSTRUCTION SITUATIONS.



CUSTOM THEMED PLAYGROUNDS

4400 ONEAL STREET, GREENVILLE, TX 75401 PHONE 903.454.9237 FAX 903.454.3642

TITLE: BOLLARD

TYPE DWG: MOUNTING

SCALE: AS NOTED

DWG. SHEET: **SBSP-M1**