



Northumberland Bollard



What looks like a classy addition to any landscape is actually a super - tough security bollard that will divert traffic, safeguard pedestrians, prevent parking, or mark boundaries. Engineered using material that is weather- and impact resistant, the Northumberland Bollard is a smart investment for developments, schools, college campuses, hospitals, casinos, or museums. The timeless finish adds visual appeal that won't fade no matter the climate. If this style doesn't suit your project, we offer custom designs and colors as well as planter bollards and illuminated security posts.

The 4 Kids was born out of a desire to create high quality, one-of-a-kind park shelters and play environments that effectively appeal to children's natural curiosity and imagination.

All of our products are custom designed to work perfectly with your unique playground. Let us know how we can meet your specific needs by contacting our knowledgeable design specialists, today.

Contact Us

Ordering from The 4 Kids is easy, initial consultation & quote is free.
We can also provide you with design ideas and conceptual drawings.
We want your whole experience with The 4 Kids to be smooth & rewarding.

4400 Oneal St. Greenville, TX 75401

903.454.9237

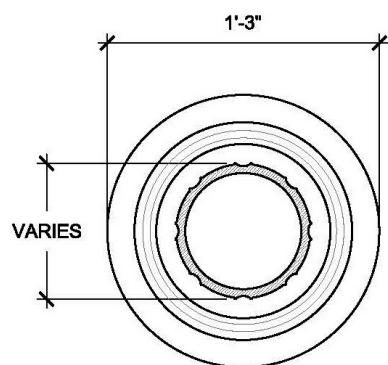
info@the4kids.com

www.the4kids.com

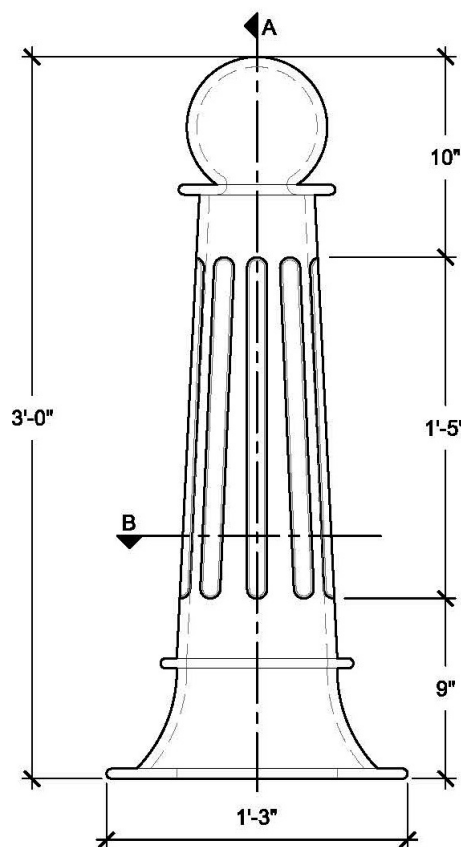
Let our team of experienced engineers and artists make your playground the destination for fun! We can create an exciting space where children's imaginations can run wild. A playscape where parents can feel secure and create lasting memories with their whole family.

Key Features

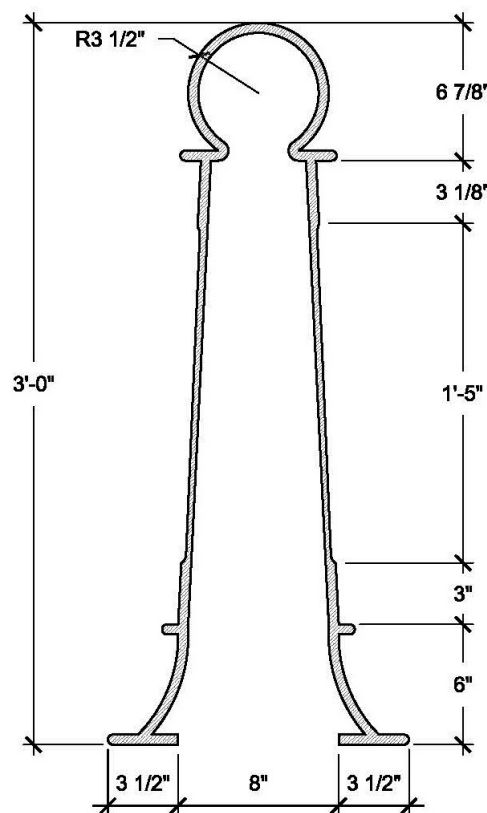
- Fully customizable size
- Wide range of colors available
- Also offered in natural-looking stone finish
- Expert team with the know-how to guide you, from design to installation
- Manufacturer-direct pricing
- Free consultation and quote



SECTION B



FRONT VIEW



SECTION A

Specifications

Age Range:
N/A

Dimensions:
1'3\"D x 36\"H

Use Zone:
N/A

Mounting Options:
See Typical
Installation Details

SIZE CHART

NAME	HEIGHT	WIDTH
SBO 006.1	2'-0"	0'-10"
SBO 006.2	2'-6"	1'-1"
SBO 006.3	3'-0"	1'-3"
SBO 006.4	3'-6"	1'-6"
SBO 006.5	4'-0"	1'-8"

Contact Us

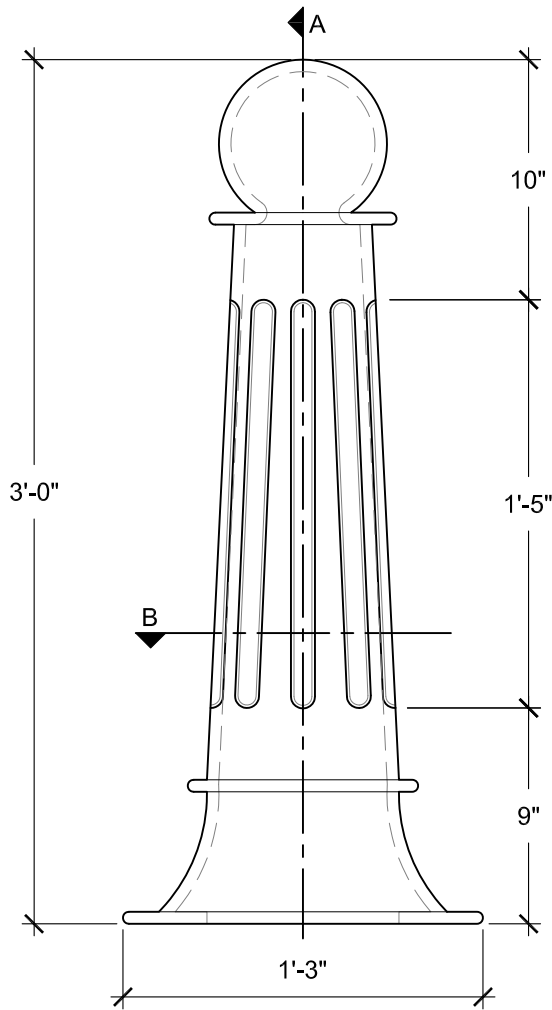
Ordering from The 4 Kids is easy, initial consultation & quote is free. We can also provide you with design ideas and conceptual drawings. We want your whole experience with The 4 Kids to be smooth & rewarding.

4400 Oneal St. Greenville, TX 75401

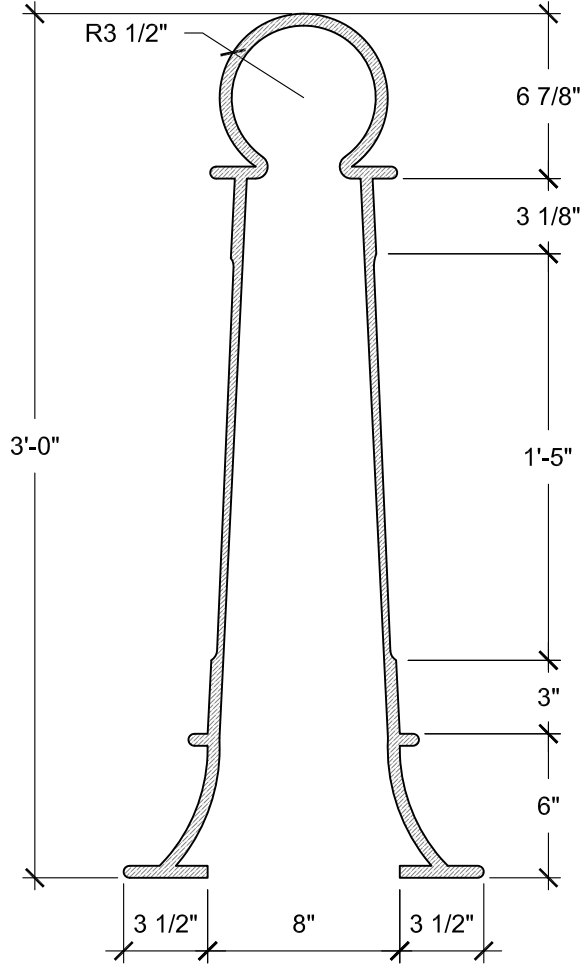
903.454.9237

info@the4kids.com

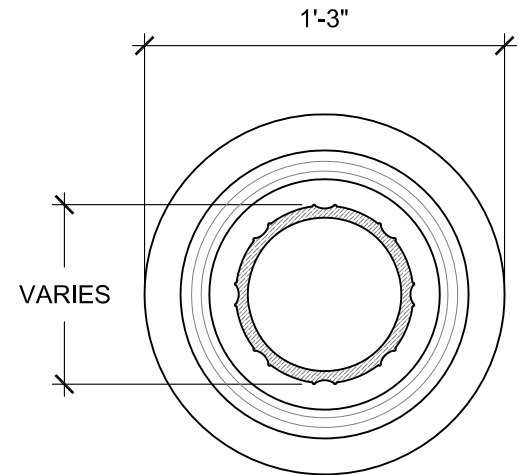
www.the4kids.com



FRONT VIEW
SCALE: 1 1/2" = 1'-0"



SECTION A
SCALE: 1 1/2" = 1'-0"



SECTION B
SCALE: 1 1/2" = 1'-0"

SIZE CHART		
NAME	HEIGHT	WIDTH
SBO 006.1	2'-0"	0'-10"
SBO 006.2	2'-6"	1'-1"
SBO 006.3	3'-0"	1'-3"
SBO 006.4	3'-6"	1'-6"
SBO 006.5	4'-0"	1'-8"

ALL RIGHTS RESERVED. THIS DRAWING IS PROPERTY OF THE 4 KIDS INC. AND MAY BE USED ONLY WHEN UTILIZING THE 4 KIDS PRODUCTS. THE 4 KIDS INC. GENERAL TERMS AND CONDITIONS APPLY AND ARE INCORPORATE HERE IN BY REFERENCE. THIS DETAIL MAY NOT APPLY TO ALL CONDITIONS AND CONSTRUCTION SITUATIONS.



CUSTOM THEMED PLAYGROUNDS

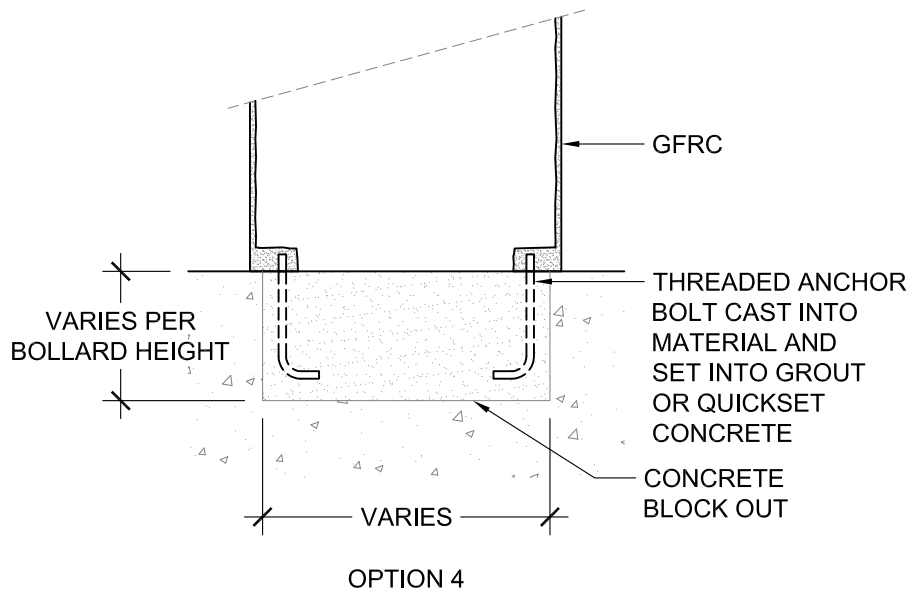
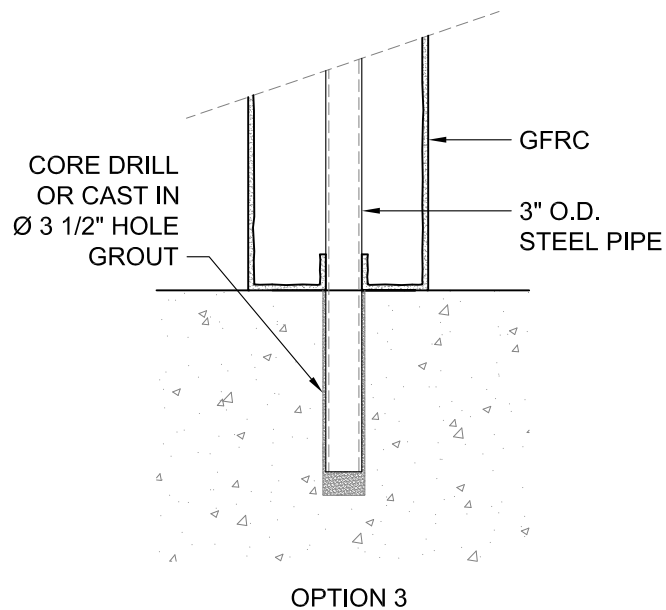
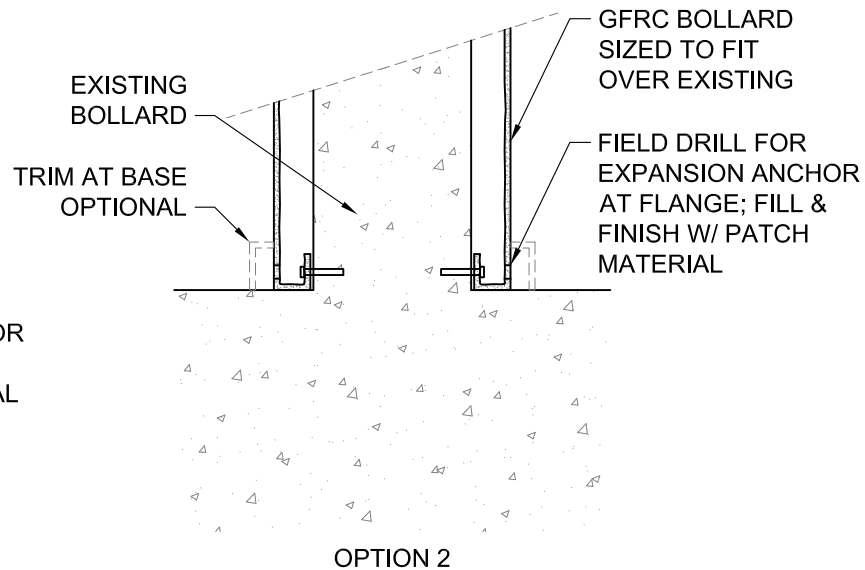
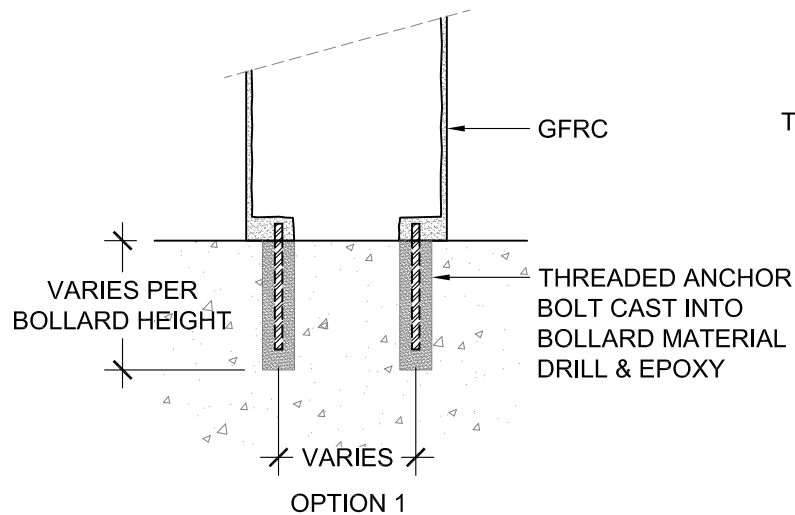
4400 ONEAL STREET, GREENVILLE, TX 75401 PHONE 903.454.9237 FAX 903.454.3642

TITLE: NORTHUMBERLAND BOLLARD

TYPE DWG: SBO-006

SCALE: AS NOTED

DWG. SHEET: **SBO-006**



ALL RIGHTS RESERVED. THIS DRAWING IS PROPERTY OF THE 4 KIDS INC. AND MAY BE USED ONLY WHEN UTILIZING THE 4 KIDS PRODUCTS. THE 4 KIDS INC. GENERAL TERMS AND CONDITIONS APPLY AND ARE INCORPORATE HERE IN BY REFERENCE. THIS DETAIL MAY NOT APPLY TO ALL CONDITIONS AND CONSTRUCTION SITUATIONS.



CUSTOM THEMED PLAYGROUNDS

4400 ONEAL STREET, GREENVILLE, TX 75401 PHONE 903.454.9237 FAX 903.454.3642

TITLE: BOLLARD

TYPE DWG: MOUNTING

SCALE: AS NOTED

DWG. SHEET: **SBSP-M1**