



# Northampton Bollard

---

---



Provide unobtrusive security at your property with the clean lines of the Northampton Bollard. This modern, curving design blends well with many styles, making it ideal for schools, hospitals, residential or office buildings, museums, and more. But there's more to this custom security post than visual appeal--it's strong, made from material known for its ability to hold up under impact and weather. The Northampton is simple to install too, and it requires no special maintenance. We offer this in a range of colors, or we can match existing finishes on the site.

The 4 Kids was born out of a desire to create high quality, one-of-a-kind park shelters and play environments that effectively appeal to children's natural curiosity and imagination.

All of our products are custom designed to work perfectly with your unique playground. Let us know how we can meet your specific needs by contacting our knowledgeable design specialists, today.

## Contact Us

Ordering from The 4 Kids is easy, initial consultation & quote is free.  
We can also provide you with design ideas and conceptual drawings.  
We want your whole experience with The 4 Kids to be smooth & rewarding.

4400 Oneal St. Greenville, TX 75401

903.454.9237

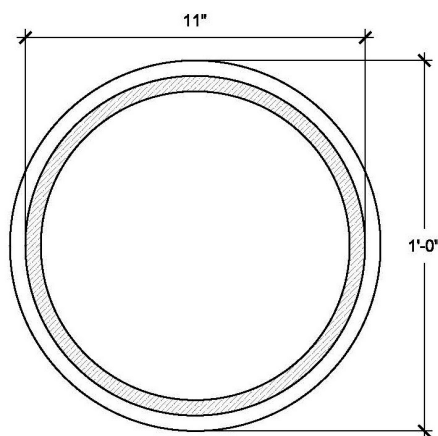
[info@the4kids.com](mailto:info@the4kids.com)

[www.the4kids.com](http://www.the4kids.com)

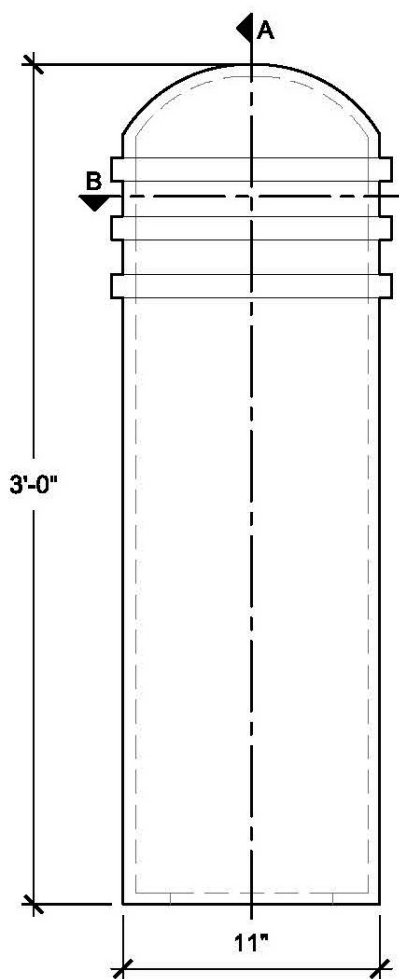
Let our team of experienced engineers and artists make your playground the destination for fun! We can create an exciting space where children's imaginations can run wild. A playscape where parents can feel secure and create lasting memories with their whole family.

**Key Features**

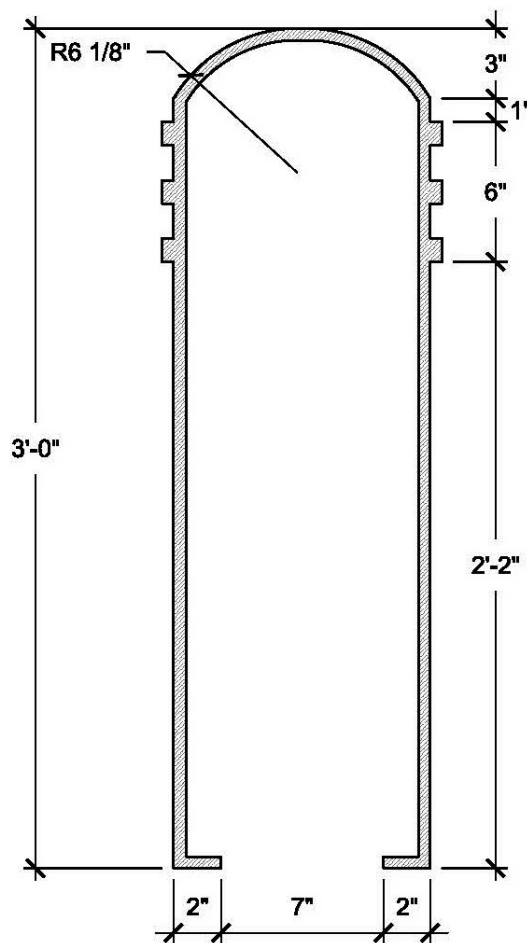
- Size is fully customizable
- Stone finish also available
- Made in America
- Many additional styles available, including planter security bollards
- Friendly customer service team on hand to guide you
- No-obligation, no-cost quote



SECTION B



FRONT VIEW



SECTION A

**Specifications**

**Age Range:**  
N/A

**Dimensions:**  
12"D x 36"H

**Use Zone:**  
N/A

**Mounting Options:**  
See Typical Installation Details

**SIZE CHART**

NAME	HEIGHT	WIDTH
SBO 008.1	2'-0"	0'-8"
SBO 008.2	2'-6"	0'-9"
SBO 008.3	3'-0"	0'-11"
SBO 008.4	3'-6"	1'-0"
SBO 008.5	4'-0"	1'-2"

**Contact Us**

Ordering from The 4 Kids is easy, initial consultation & quote is free. We can also provide you with design ideas and conceptual drawings. We want your whole experience with The 4 Kids to be smooth & rewarding.

4400 Oneal St. Greenville, TX 75401

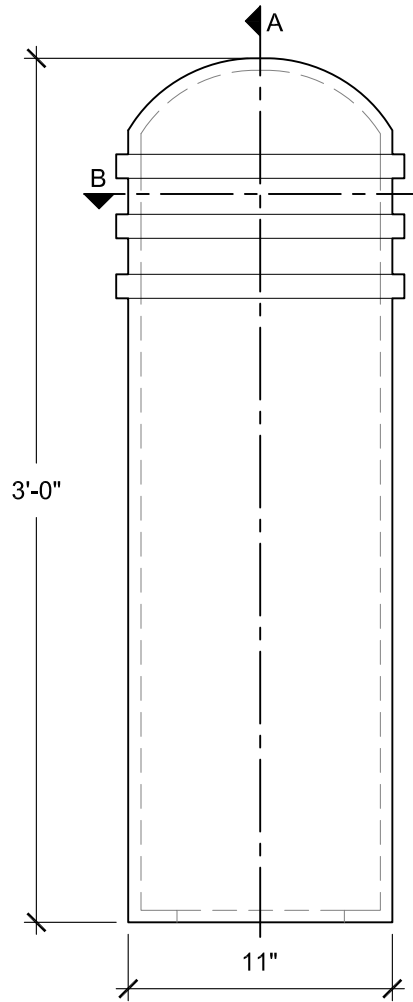
903.454.9237

info@the4kids.com

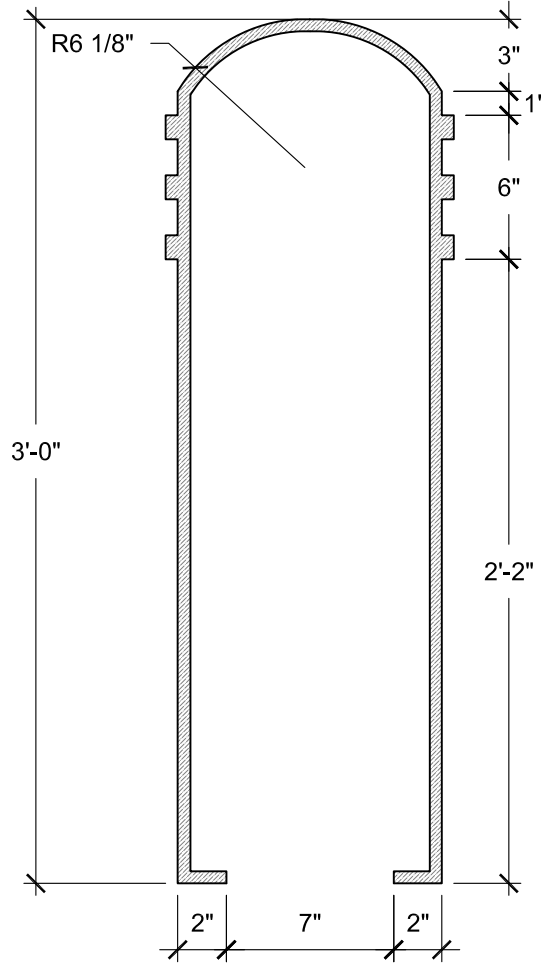
www.the4kids.com

## SIZE CHART

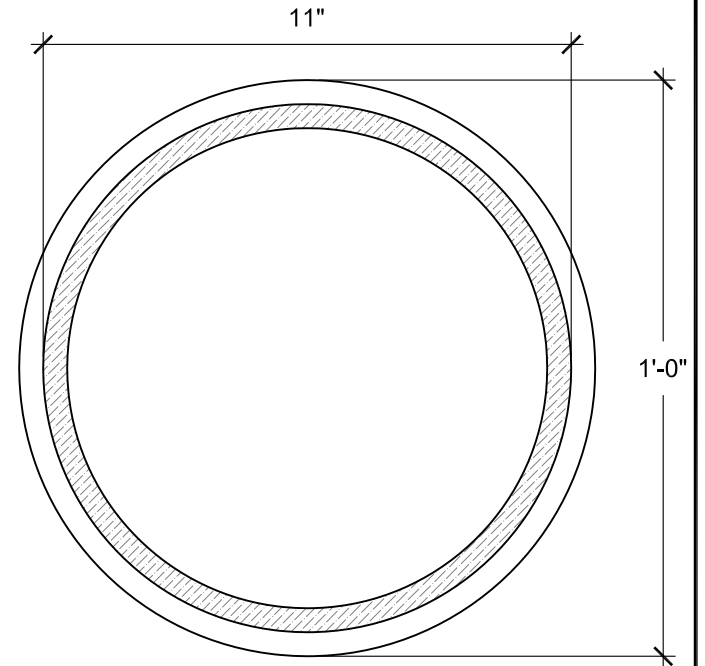
NAME	HEIGHT	WIDTH
SBO 008.1	2'-0"	0'-8"
SBO 008.2	2'-6"	0'-9"
SBO 008.3	3'-0"	0'-11"
SBO 008.4	3'-6"	1'-0"
SBO 008.5	4'-0"	1'-2"



FRONT VIEW  
SCALE: 1 1/2" = 1'-0"



SECTION A  
SCALE: 1 1/2" = 1'-0"



SECTION B  
SCALE: 3" = 1'-0"

ALL RIGHTS RESERVED. THIS DRAWING IS PROPERTY OF THE 4 KIDS INC. AND MAY BE USED ONLY WHEN UTILIZING THE 4 KIDS PRODUCTS. THE 4 KIDS INC. GENERAL TERMS AND CONDITIONS APPLY AND ARE INCORPORATE HERE IN BY REFERENCE. THIS DETAIL MAY NOT APPLY TO ALL CONDITIONS AND CONSTRUCTION SITUATIONS.



**CUSTOM THEMED PLAYGROUNDS**

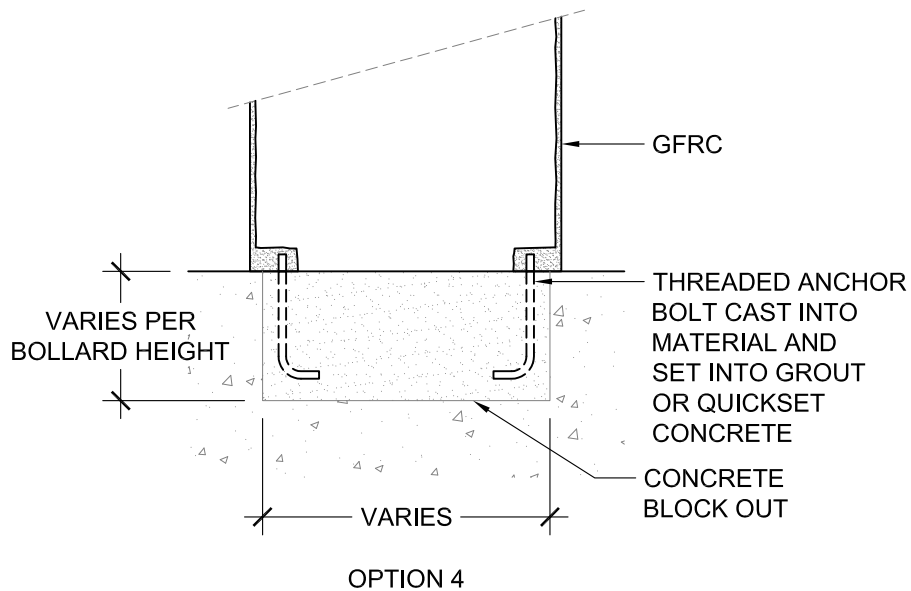
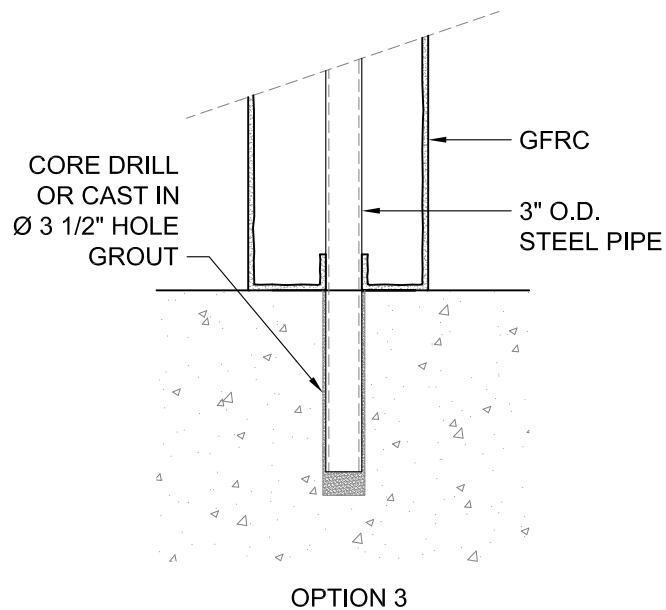
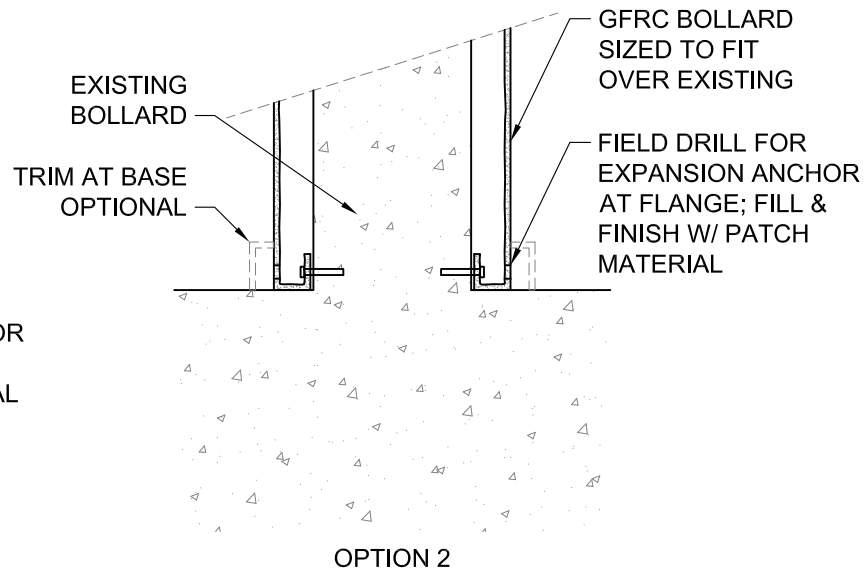
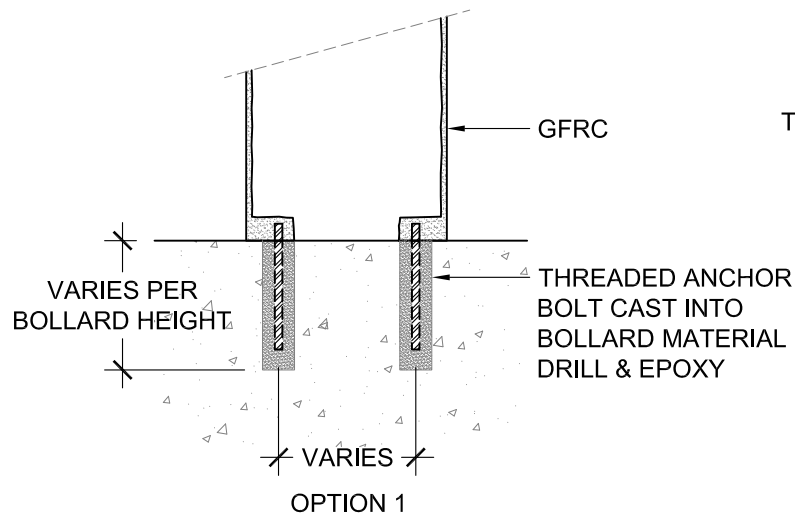
4400 ONEAL STREET, GREENVILLE, TX 75401 PHONE 903.454.9237 FAX 903.454.3642

TITLE: NORTHAMPTON BOLLARD

TYPE DWG: SBO-008

SCALE: AS NOTED

DWG. SHEET: **SBO-008**



ALL RIGHTS RESERVED. THIS DRAWING IS PROPERTY OF THE 4 KIDS INC. AND MAY BE USED ONLY WHEN UTILIZING THE 4 KIDS PRODUCTS. THE 4 KIDS INC. GENERAL TERMS AND CONDITIONS APPLY AND ARE INCORPORATE HERE IN BY REFERENCE. THIS DETAIL MAY NOT APPLY TO ALL CONDITIONS AND CONSTRUCTION SITUATIONS.



**CUSTOM THEMED PLAYGROUNDS**

4400 ONEAL STREET, GREENVILLE, TX 75401 PHONE 903.454.9237 FAX 903.454.3642

TITLE: BOLLARD

TYPE DWG: MOUNTING

SCALE: AS NOTED

DWG. SHEET: **SBSP-M1**