



# Dauphin Bollard

---

---



Protection never looked so classy. The lines of the Dauphin Bollard are reminiscent of ancient columns, making this a beautiful choice for schools, museums, office buildings, or other properties that feature a classic look and feel. It's available in many colors, including light or dark buff, white, or off-white. We use only high-quality materials made to last, even under impacts or harsh weather, providing excellent value for project managers and property owners. Our team offers many different designs as well, including illuminated bollards and planter bollards--be sure to check them all out.

The 4 Kids was born out of a desire to create high quality, one-of-a-kind park shelters and play environments that effectively appeal to children's natural curiosity and imagination.

All of our products are custom designed to work perfectly with your unique playground. Let us know how we can meet your specific needs by contacting our knowledgeable design specialists, today.

## Contact Us

Ordering from The 4 Kids is easy, initial consultation & quote is free.  
We can also provide you with design ideas and conceptual drawings.  
We want your whole experience with The 4 Kids to be smooth & rewarding.

4400 Oneal St. Greenville, TX 75401

903.454.9237

[info@the4kids.com](mailto:info@the4kids.com)

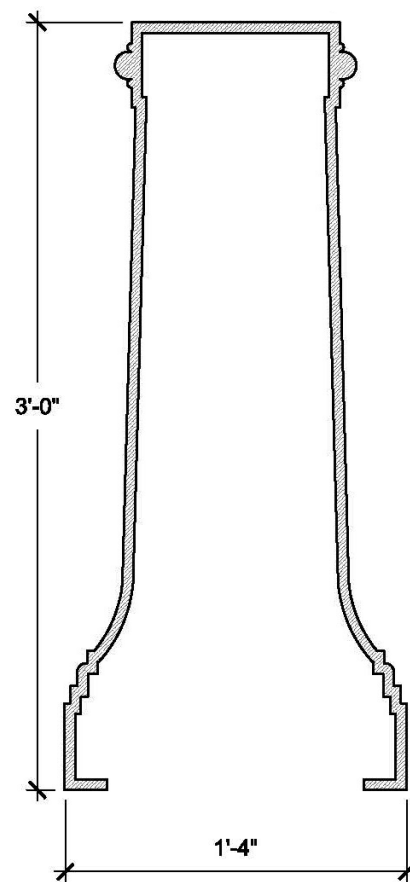
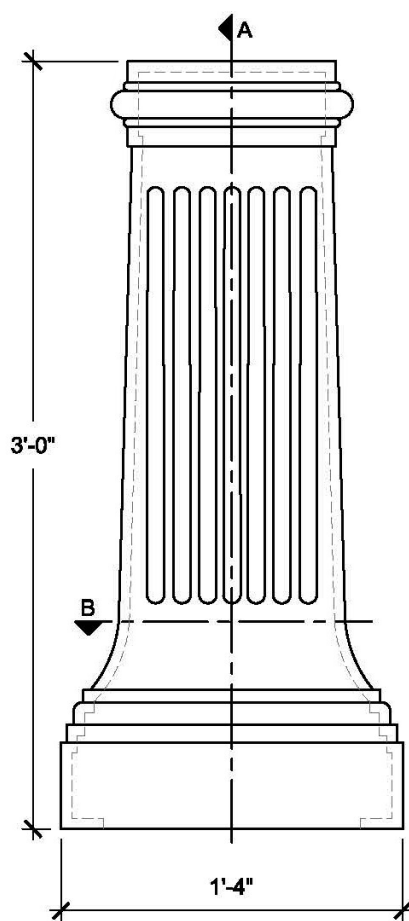
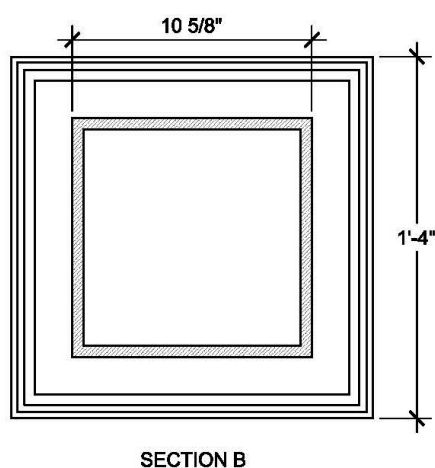
[www.the4kids.com](http://www.the4kids.com)

## Why Use Us?

Let our team of experienced engineers and artists make your playground the destination for fun! We can create an exciting space where children's imaginations can run wild. A playscape where parents can feel secure and create lasting memories with their whole family.

## Key Features

- Fully customizable size
- Also offered in stone finish
- Manufacturer-direct prices
- Friendly team with 30+ years of experience ready to help
- Free, no-obligation consultation and quote



## Specifications

**Use Zone:**  
N/A

**Mounting Options:**  
Installation Options

## SIZE CHART

NAME	HEIGHT	WIDTH
SBO 010.1	2'-0"	10 3/4"
SBO 010.2	2'-6"	1'-1 1/2"
SBO 010.3	3'-0"	1'-4"
SBO 010.4	3'-6"	1'-6 3/4"
SBO 010.5	4'-0"	1'-9 1/2"

## Contact Us

Ordering from The 4 Kids is easy, initial consultation & quote is free. We can also provide you with design ideas and conceptual drawings. We want your whole experience with The 4 Kids to be smooth & rewarding.

4400 Oneal St. Greenville, TX 75401

903.454.9237

info@the4kids.com

www.the4kids.com

© 2014 The 4 Kids Inc. All rights reserved.