



Dauphin Bollard



Protection never looked so classy. The lines of the Dauphin Bollard are reminiscent of ancient columns, making this a beautiful choice for schools, museums, office buildings, or other properties that feature a classic look and feel. It's available in many colors, including light or dark buff, white, or off-white. We use only high-quality materials made to last, even under impacts or harsh weather, providing excellent value for project managers and property owners. Our team offers many different designs as well, including illuminated bollards and planter bollards--be sure to check them all out.

The 4 Kids was born out of a desire to create high quality, one-of-a-kind park shelters and play environments that effectively appeal to children's natural curiosity and imagination.

All of our products are custom designed to work perfectly with your unique playground. Let us know how we can meet your specific needs by contacting our knowledgeable design specialists, today.

Contact Us

Ordering from The 4 Kids is easy, initial consultation & quote is free.
We can also provide you with design ideas and conceptual drawings.
We want your whole experience with The 4 Kids to be smooth & rewarding.

4400 Oneal St. Greenville, TX 75401

903.454.9237

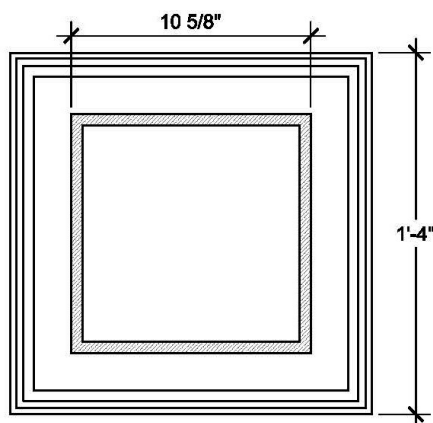
info@the4kids.com

www.the4kids.com

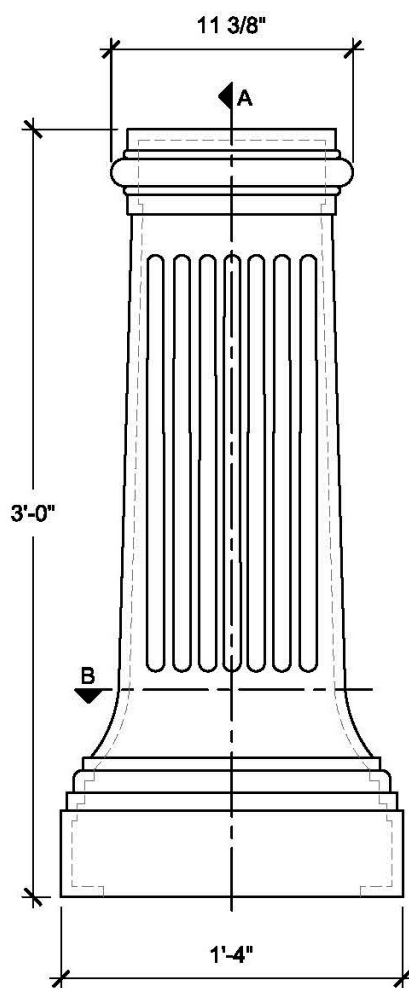
Let our team of experienced engineers and artists make your playground the destination for fun! We can create an exciting space where children's imaginations can run wild. A playscape where parents can feel secure and create lasting memories with their whole family.

Key Features

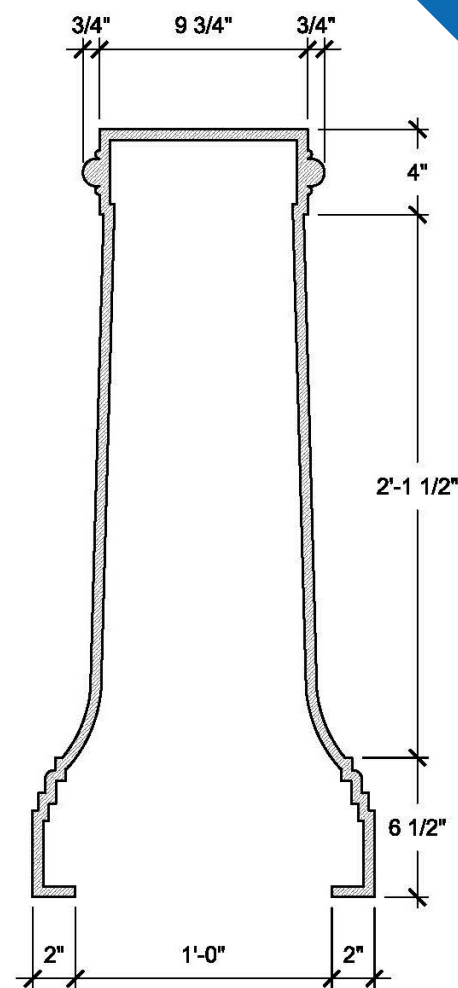
- Fully customizable size
- Also offered in stone finish
- Manufacturer-direct prices
- Friendly team with 30+ years of experience ready to help
- Free, no-obligation consultation and quote



SECTION B



FRONT VIEW



SECTION A

Specifications

Age Range:
N/A

Dimensions:
1'-4"D x 36"H

Use Zone:
N/A

Mounting Options:
See Typical Installation Details

SIZE CHART

NAME	HEIGHT	WIDTH
SBO 010.1	2'-0"	10 3/4"
SBO 010.2	2'-6"	1'-1 1/2"
SBO 010.3	3'-0"	1'-4"
SBO 010.4	3'-6"	1'-6 3/4"
SBO 010.5	4'-0"	1'-9 1/2"

Contact Us

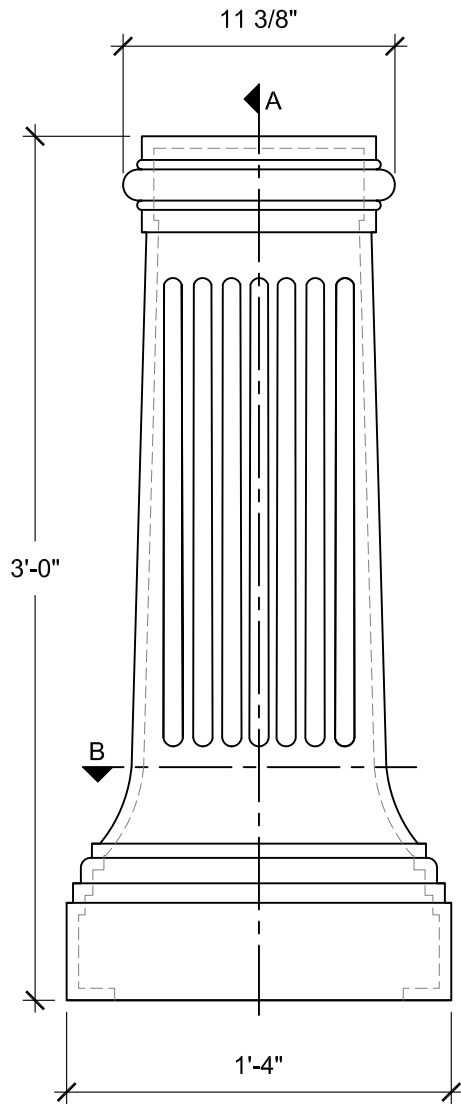
Ordering from The 4 Kids is easy, initial consultation & quote is free. We can also provide you with design ideas and conceptual drawings. We want your whole experience with The 4 Kids to be smooth & rewarding.

4400 Oneal St. Greenville, TX 75401

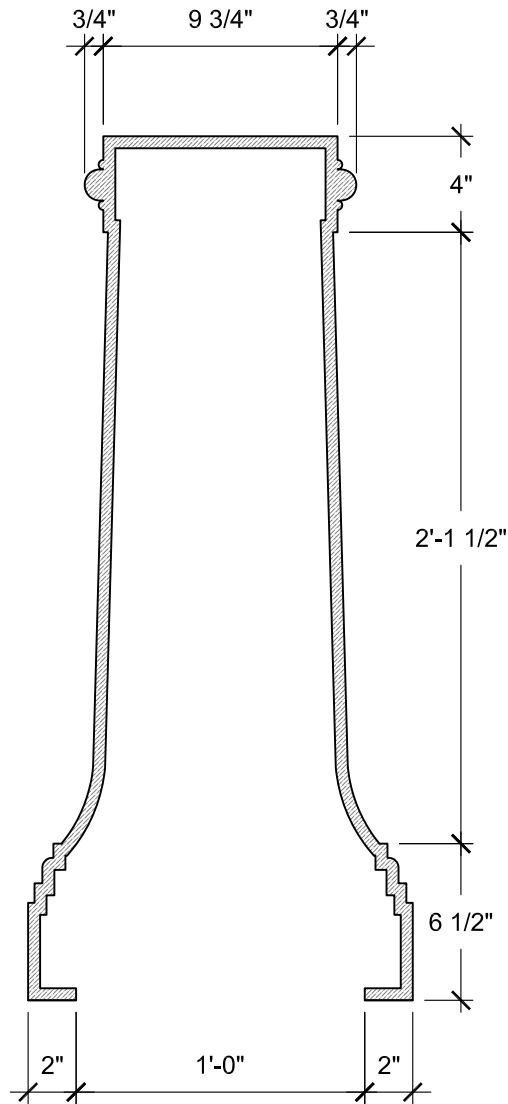
903.454.9237

info@the4kids.com

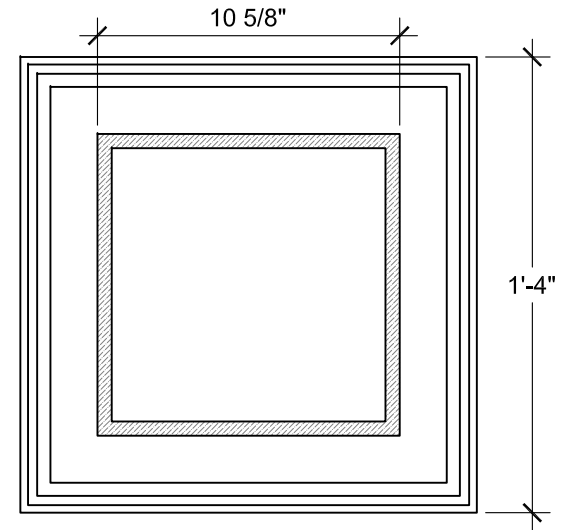
www.the4kids.com



FRONT VIEW
SCALE: 1 1/2" = 1'-0"



SECTION A
SCALE: 1 1/2" = 1'-0"



SECTION B
SCALE: 2" = 1'-0"

SIZE CHART

NAME	HEIGHT	WIDTH
SBO 010.1	2'-0"	10 3/4"
SBO 010.2	2'-6"	1'-1 1/2"
SBO 010.3	3'-0"	1'-4"
SBO 010.4	3'-6"	1'-6 3/4"
SBO 010.5	4'-0"	1'-9 1/2"

ALL RIGHTS RESERVED. THIS DRAWING IS PROPERTY OF THE 4 KIDS INC. AND MAY BE USED ONLY WHEN UTILIZING THE 4 KIDS PRODUCTS. THE 4 KIDS INC. GENERAL TERMS AND CONDITIONS APPLY AND ARE INCORPORATE HERE IN BY REFERENCE. THIS DETAIL MAY NOT APPLY TO ALL CONDITIONS AND CONSTRUCTION SITUATIONS.



CUSTOM THEMED PLAYGROUNDS

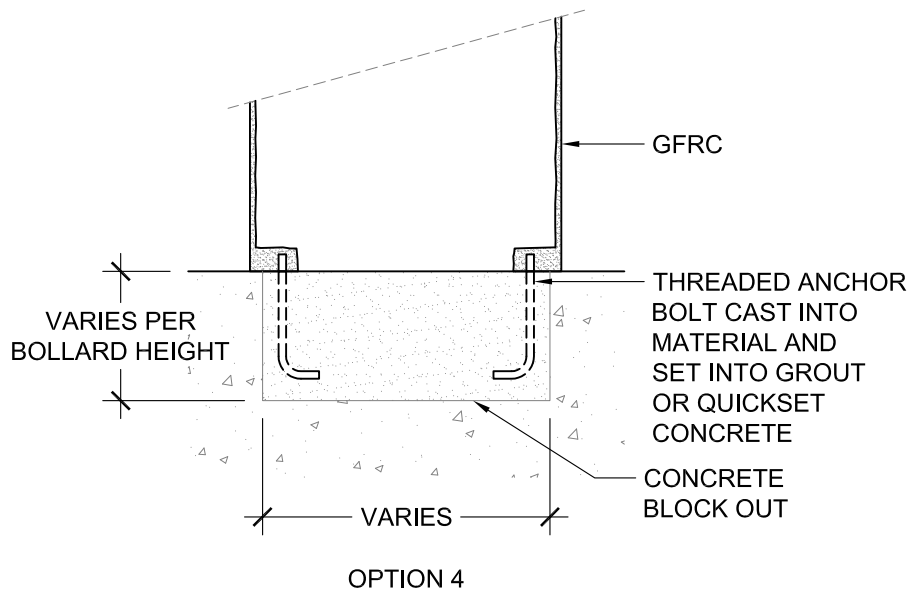
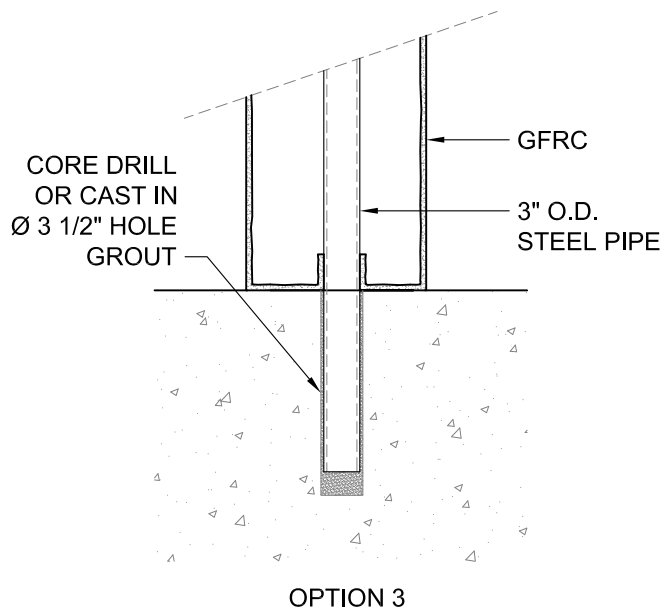
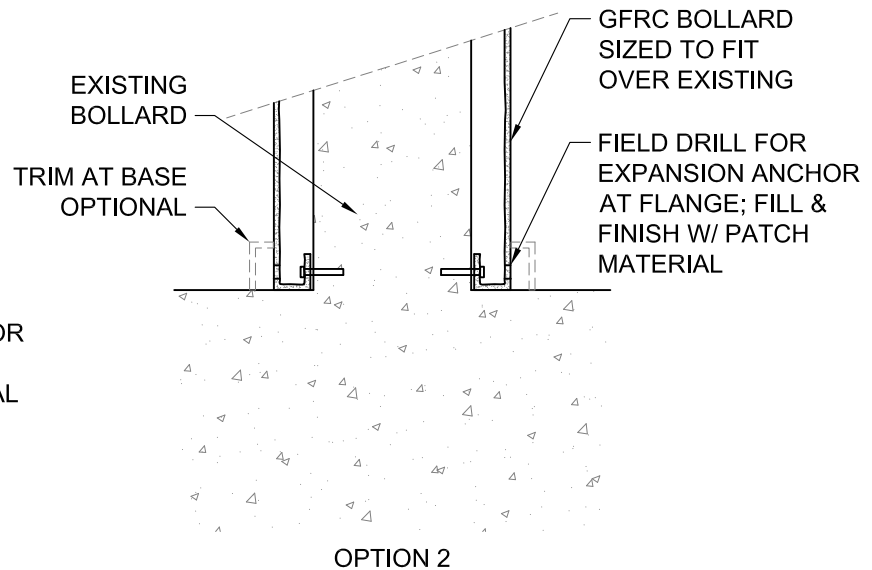
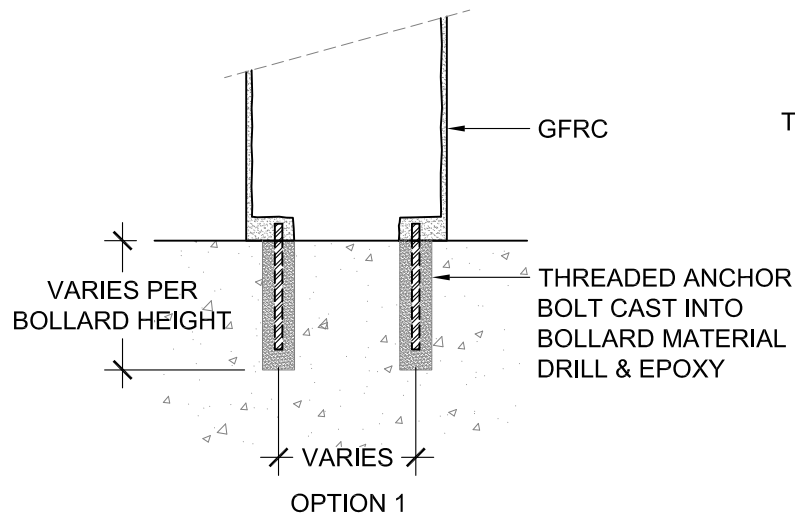
4400 ONEAL STREET, GREENVILLE, TX 75401 PHONE 903.454.9237 FAX 903.454.3642

TITLE: DAUPHIN BOLLARD

TYPE DWG: SBO-010

SCALE: AS NOTED

DWG. SHEET: **SBO-010**



ALL RIGHTS RESERVED. THIS DRAWING IS PROPERTY OF THE 4 KIDS INC. AND MAY BE USED ONLY WHEN UTILIZING THE 4 KIDS PRODUCTS. THE 4 KIDS INC. GENERAL TERMS AND CONDITIONS APPLY AND ARE INCORPORATE HERE IN BY REFERENCE. THIS DETAIL MAY NOT APPLY TO ALL CONDITIONS AND CONSTRUCTION SITUATIONS.



CUSTOM THEMED PLAYGROUNDS

4400 ONEAL STREET, GREENVILLE, TX 75401 PHONE 903.454.9237 FAX 903.454.3642

TITLE: BOLLARD

TYPE DWG: MOUNTING

SCALE: AS NOTED

DWG. SHEET: **SBSP-M1**