



## Westmoreland Bollard

---

---



The Westmoreland Bollard is a fully functional security post that provides an extra measure of safety without the industrial look of some brands. We've constructed this with super-strong material formulated so it will help safeguard pedestrians, manage traffic flow, or mark off private areas. Plus, it's simple to install. Available in a range of colors, this ornamental bollard will be constructed to whatever size you need. As a result you get exactly what's needed to create a visually-pleasing--and safer--property. This is just one of many styles we offer, including planter bollards and illuminated bollards.

The 4 Kids was born out of a desire to create high quality, one-of-a-kind park shelters and play environments that effectively appeal to children's natural curiosity and imagination.

All of our products are custom designed to work perfectly with your unique playground. Let us know how we can meet your specific needs by contacting our knowledgeable design specialists, today.

### Contact Us

Ordering from The 4 Kids is easy, initial consultation & quote is free.  
We can also provide you with design ideas and conceptual drawings.  
We want your whole experience with The 4 Kids to be smooth & rewarding.

4400 Oneal St. Greenville, TX 75401

903.454.9237

[info@the4kids.com](mailto:info@the4kids.com)

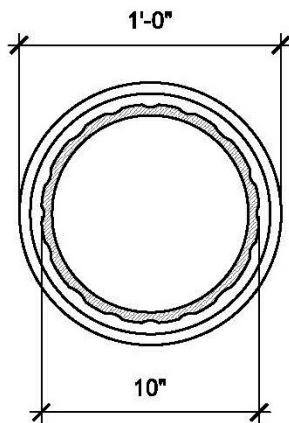
[www.the4kids.com](http://www.the4kids.com)

## Why Use Us?

Let our team of experienced engineers and artists make your playground the destination for fun! We can create an exciting space where children's imaginations can run wild. A playscape where parents can feel secure and create lasting memories with their whole family.

## Key Features

- Available in stone finish too
- Manufactured in America
- Color matching for restoration projects also offered
- We love custom design--chat with a consultant to learn more
- Free, no-hassle quote



SECTION B

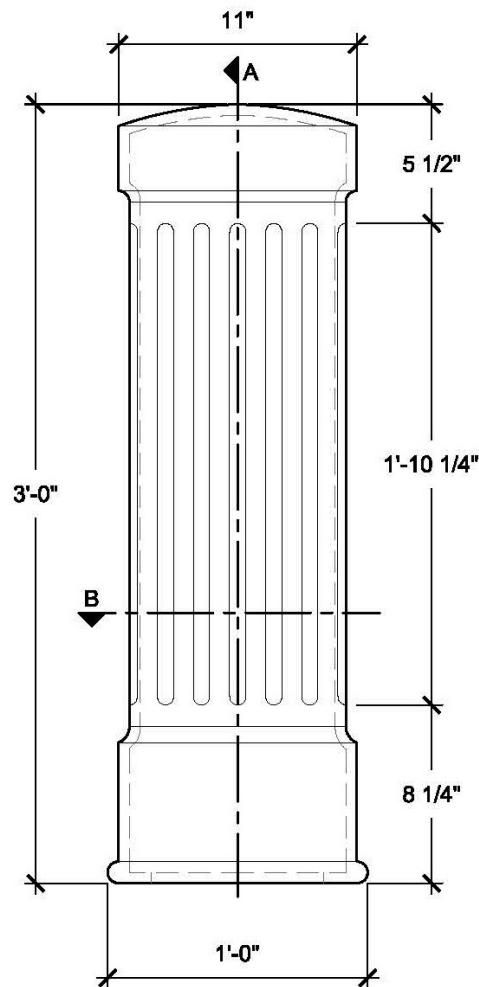
## Specifications

**Age Range:**  
N/A

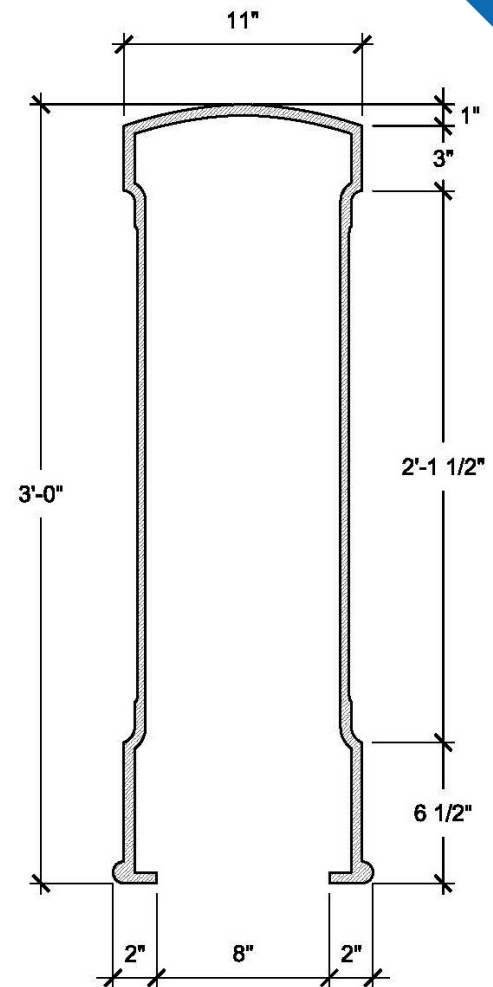
**Dimensions:**  
N/A

**Play Area:**  
N/A

**Mounting Options:**  
See Typical  
Installation Details



FRONT VIEW



SECTION A

## SIZE CHART

NAME	HEIGHT	WIDTH
SBO 011.1	2'-0"	0'-8"
SBO 011.2	2'-6"	0'-10"
SBO 011.3	3'-0"	1'-0"
SBO 011.4	3'-6"	1'-2"
SBO 011.5	4'-0"	1'-4"

## Contact Us

Ordering from The 4 Kids is easy, initial consultation & quote is free. We can also provide you with design ideas and conceptual drawings. We want your whole experience with The 4 Kids to be smooth & rewarding.

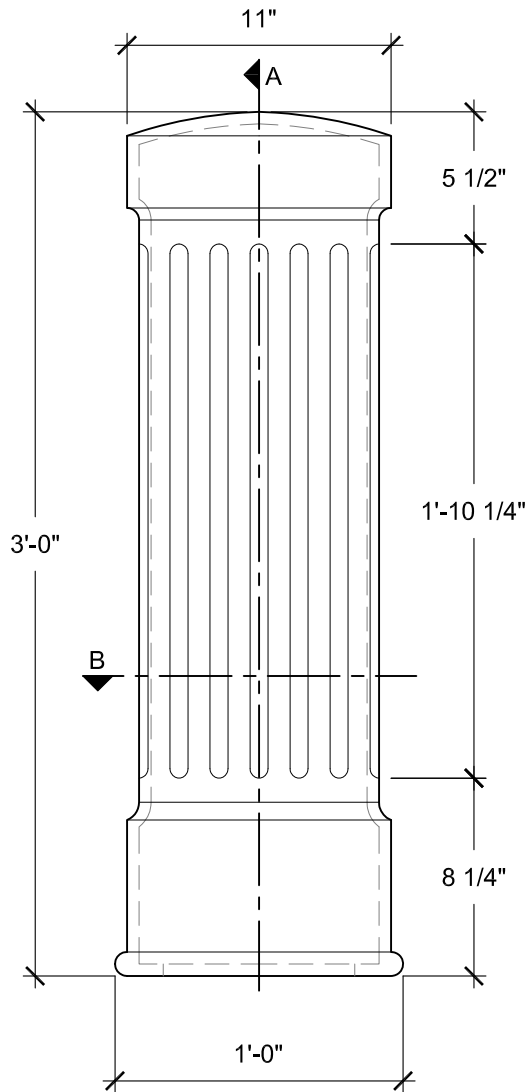
4400 Oneal St. Greenville, TX 75401

903.454.9237

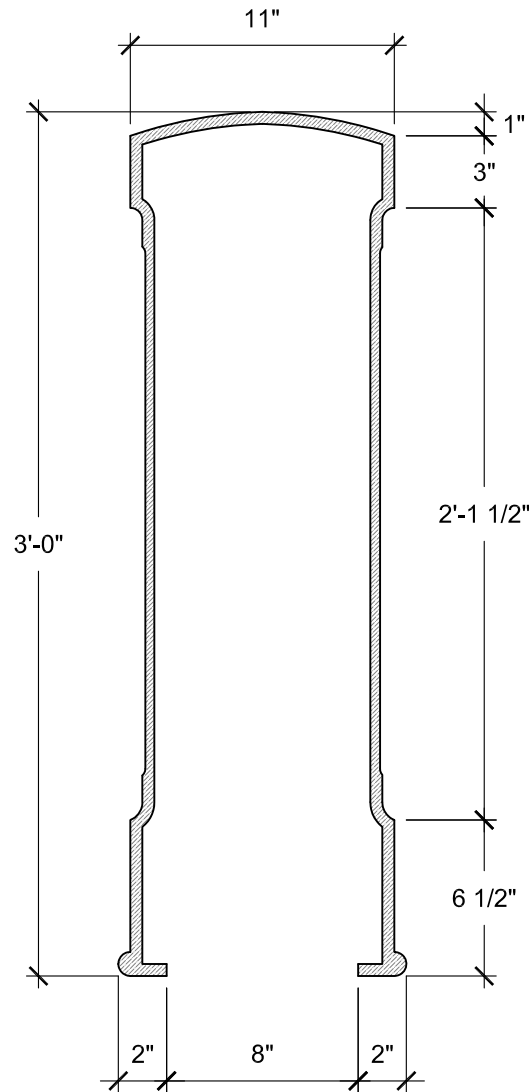
info@the4kids.com

www.the4kids.com

© 2014 The 4 Kids Inc. All rights reserved.

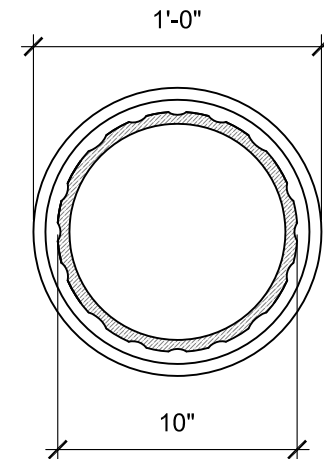


FRONT VIEW  
SCALE: 1 1/2" = 1'-0"



SECTION A  
SCALE: 1 1/2" = 1'-0"

SIZE CHART		
NAME	HEIGHT	WIDTH
SBO 011.1	2'-0"	0'-8"
SBO 011.2	2'-6"	0'-10"
SBO 011.3	3'-0"	1'-0"
SBO 011.4	3'-6"	1'-2"
SBO 011.5	4'-0"	1'-4"



SECTION B  
SCALE: 1 1/2" = 1'-0"

ALL RIGHTS RESERVED. THIS DRAWING IS PROPERTY OF THE 4 KIDS INC. AND MAY BE USED ONLY WHEN UTILIZING THE 4 KIDS PRODUCTS. THE 4 KIDS INC. GENERAL TERMS AND CONDITIONS APPLY AND ARE INCORPORATE HERE IN BY REFERENCE. THIS DETAIL MAY NOT APPLY TO ALL CONDITIONS AND CONSTRUCTION SITUATIONS.



**CUSTOM THEMED PLAYGROUNDS**

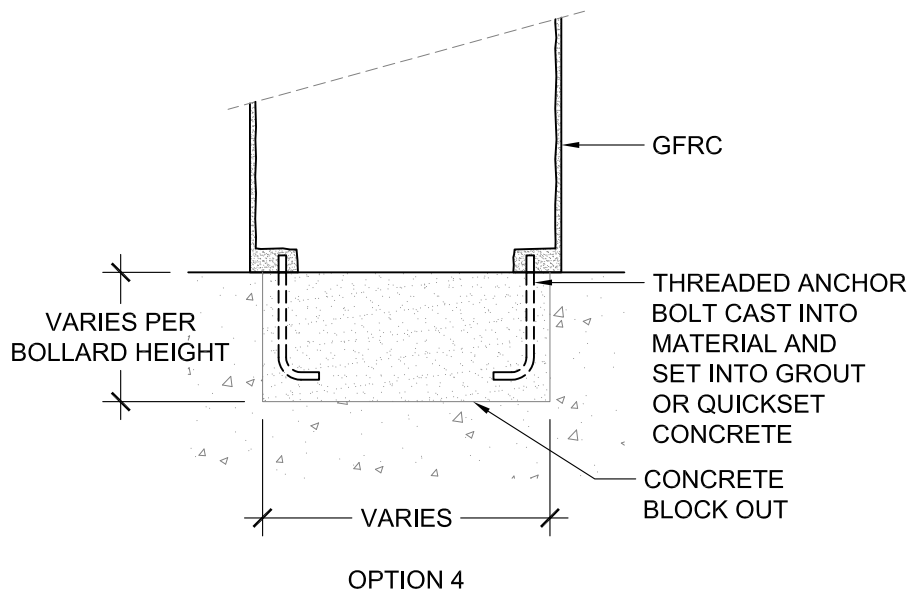
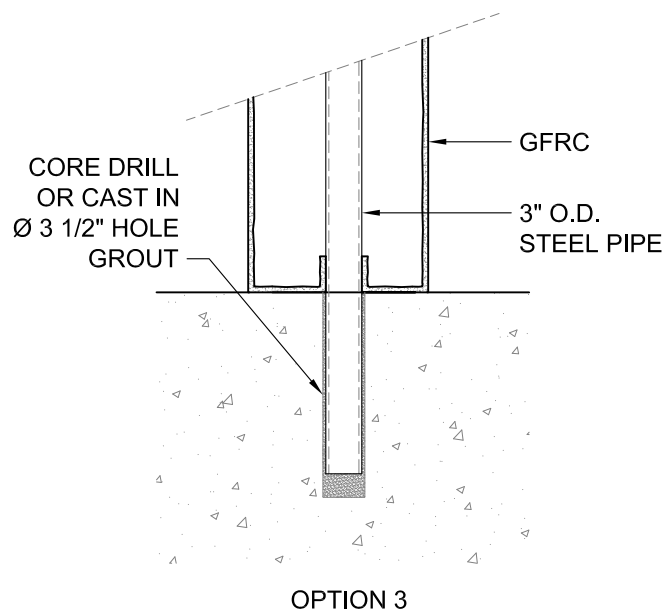
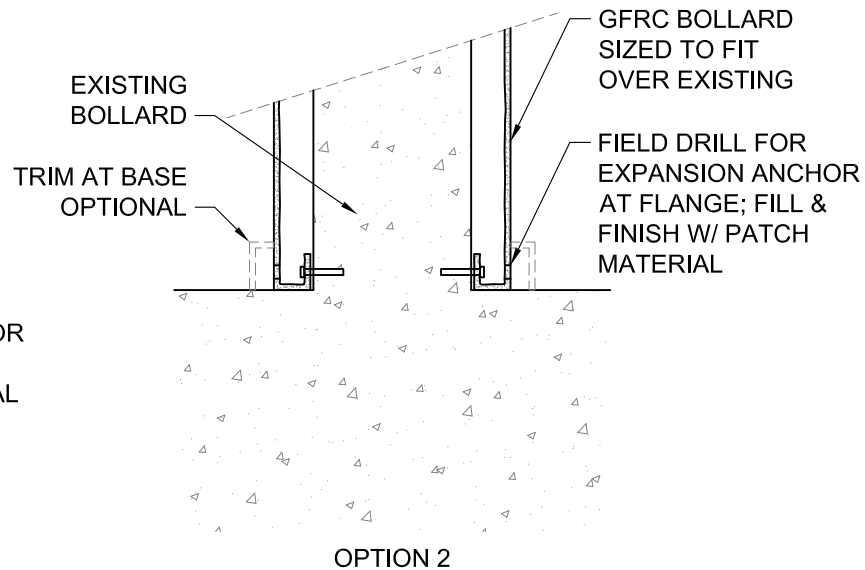
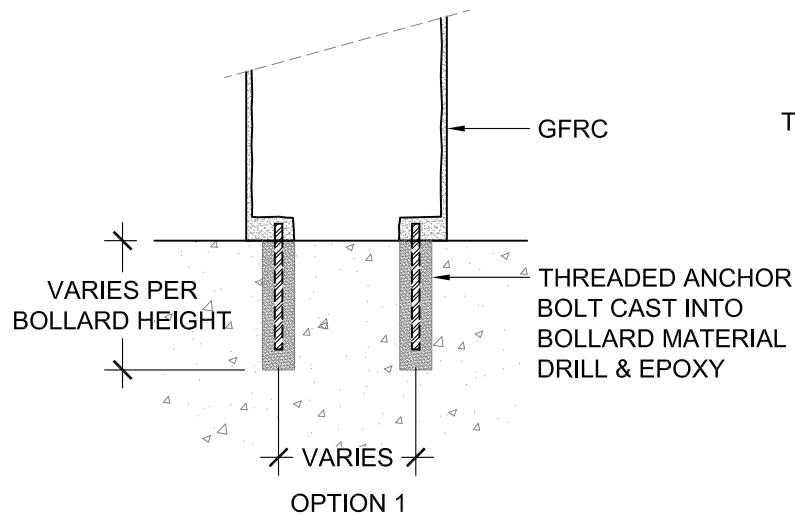
4400 ONEAL STREET, GREENVILLE, TX 75401 PHONE 903.454.9237 FAX 903.454.3642

TITLE: WESTMORELAND BOLLARD

TYPE DWG: SBO-011

SCALE: AS NOTED

DWG. SHEET: **SBO-011**



ALL RIGHTS RESERVED. THIS DRAWING IS PROPERTY OF THE 4 KIDS INC. AND MAY BE USED ONLY WHEN UTILIZING THE 4 KIDS PRODUCTS. THE 4 KIDS INC. GENERAL TERMS AND CONDITIONS APPLY AND ARE INCORPORATE HERE IN BY REFERENCE. THIS DETAIL MAY NOT APPLY TO ALL CONDITIONS AND CONSTRUCTION SITUATIONS.



**CUSTOM THEMED PLAYGROUNDS**

4400 ONEAL STREET, GREENVILLE, TX 75401 PHONE 903.454.9237 FAX 903.454.3642

TITLE: BOLLARD

TYPE DWG: MOUNTING

SCALE: AS NOTED

DWG. SHEET: **SBSP-M1**