



Montour Bollard



Boost the eye appeal of a streetscape or landscape by adding the Montour Bollard to your school, college campus, hospital, or other property. Crafted with super-durable material, this security post is designed to last for many years. It's tough enough to withstand impact, helping to protect pedestrians, parked vehicles, and other property. We've shown it here in concrete finish, which is available in many colors. Our team also has the know how to color match for restoration projects. When you need an ornamental bollard that combines beauty with strength, the Montour is a natural choice.

The 4 Kids was born out of a desire to create high quality, one-of-a-kind park shelters and play environments that effectively appeal to children's natural curiosity and imagination.

All of our products are custom designed to work perfectly with your unique playground. Let us know how we can meet your specific needs by contacting our knowledgeable design specialists, today.

Contact Us

Ordering from The 4 Kids is easy, initial consultation & quote is free.
We can also provide you with design ideas and conceptual drawings.
We want your whole experience with The 4 Kids to be smooth & rewarding.

4400 Oneal St. Greenville, TX 75401

903.454.9237

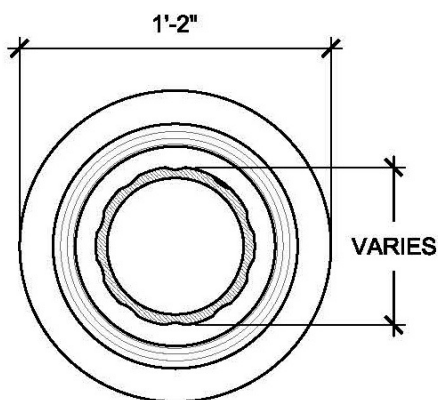
info@the4kids.com

www.the4kids.com

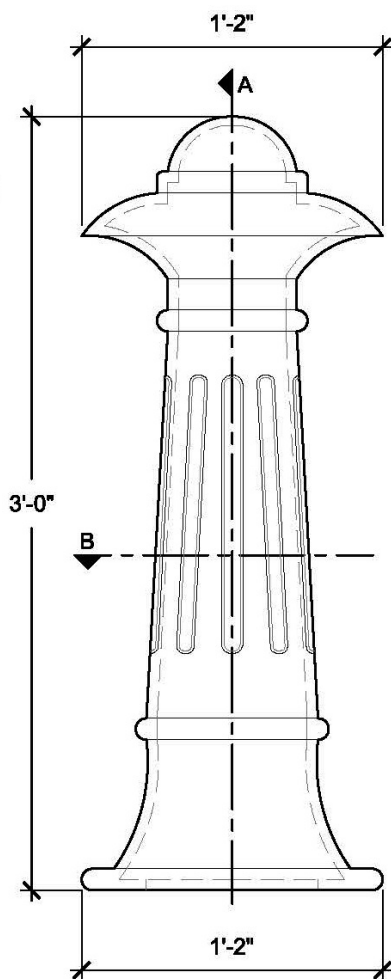
Let our team of experienced engineers and artists make your playground the destination for fun! We can create an exciting space where children's imaginations can run wild. A playscape where parents can feel secure and create lasting memories with their whole family.

Key Features

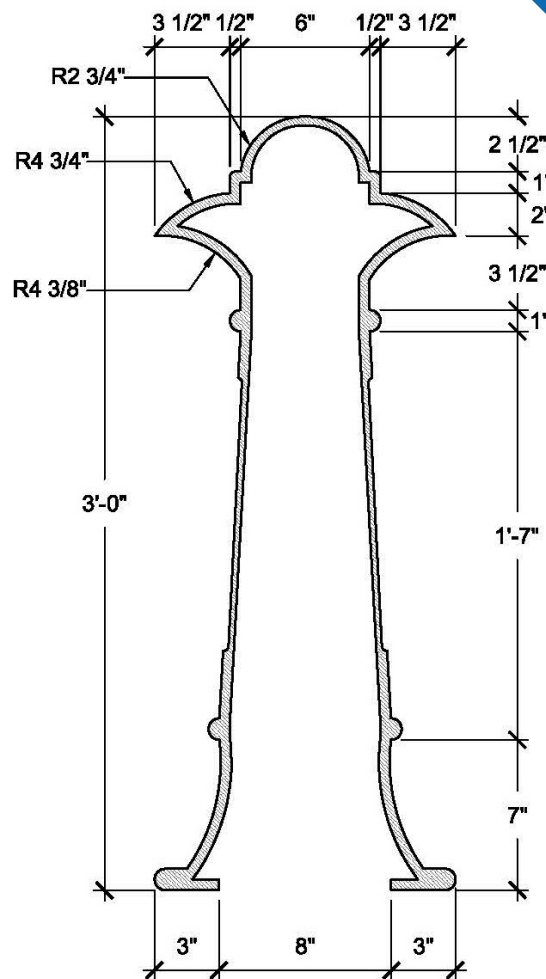
- Fully customizable size
- Also offered in stone finish
- Variety of installation options available
- Design assistance and CAD details from our experienced team
- Free, no-obligation project quote



SECTION B



FRONT VIEW



SECTION A

Specifications

Age Range:
N/A

Dimensions:
14\"D x 36\"H

Use Zone:
N/A

Mounting Options:
See Typical Installation Details

SIZE CHART

NAME	HEIGHT	WIDTH
SBO 013.1	2'-0"	0'-10"
SBO 013.2	2'-6"	1'-0"
SBO 013.3	3'-0"	1'-2"
SBO 013.4	3'-6"	1'-5"
SBO 013.5	4'-0"	1'-7"

Contact Us

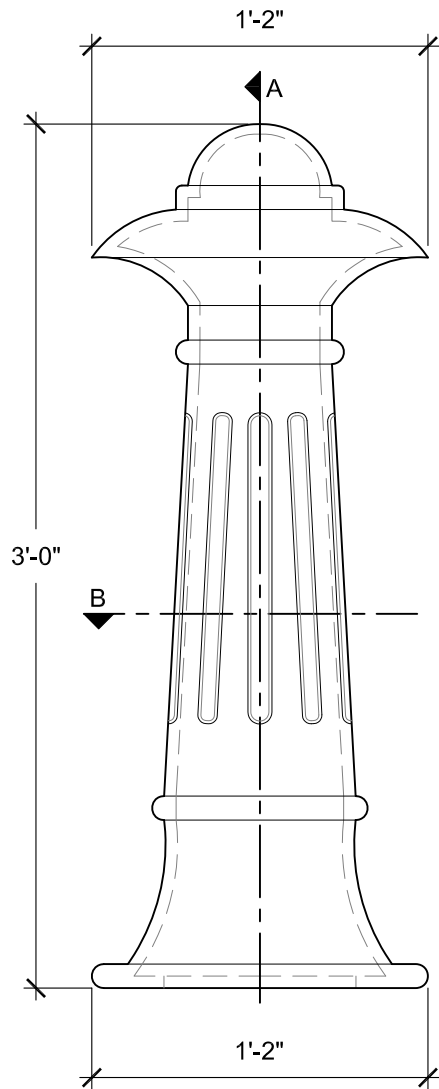
Ordering from The 4 Kids is easy, initial consultation & quote is free. We can also provide you with design ideas and conceptual drawings. We want your whole experience with The 4 Kids to be smooth & rewarding.

4400 Oneal St. Greenville, TX 75401

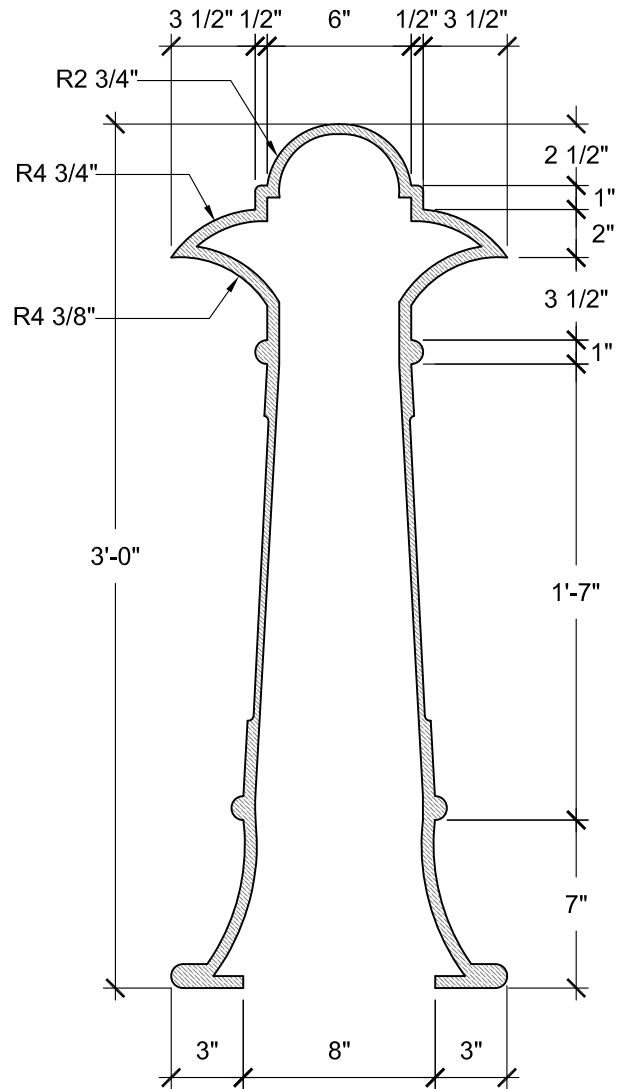
903.454.9237

info@the4kids.com

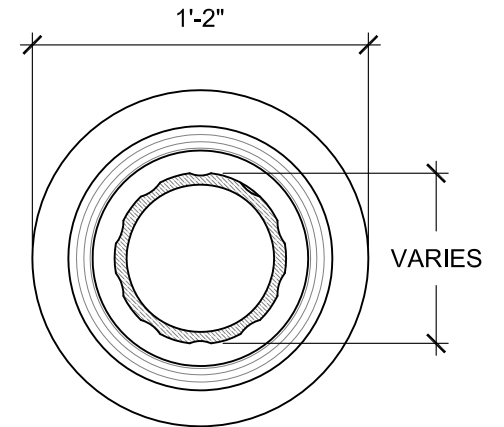
www.the4kids.com



FRONT VIEW
SCALE: 1 1/2" = 1'-0"



SECTION A
SCALE: 1 1/2" = 1'-0"



SECTION B
SCALE: 1 1/2" = 1'-0"

SIZE CHART		
NAME	HEIGHT	WIDTH
SBO 013.1	2'-0"	0'-10"
SBO 013.2	2'-6"	1'-0"
SBO 013.3	3'-0"	1'-2"
SBO 013.4	3'-6"	1'-5"
SBO 013.5	4'-0"	1'-7"

ALL RIGHTS RESERVED. THIS DRAWING IS PROPERTY OF THE 4 KIDS INC. AND MAY BE USED ONLY WHEN UTILIZING THE 4 KIDS PRODUCTS. THE 4 KIDS INC. GENERAL TERMS AND CONDITIONS APPLY AND ARE INCORPORATE HERE IN BY REFERENCE. THIS DETAIL MAY NOT APPLY TO ALL CONDITIONS AND CONSTRUCTION SITUATIONS.



CUSTOM THEMED PLAYGROUNDS

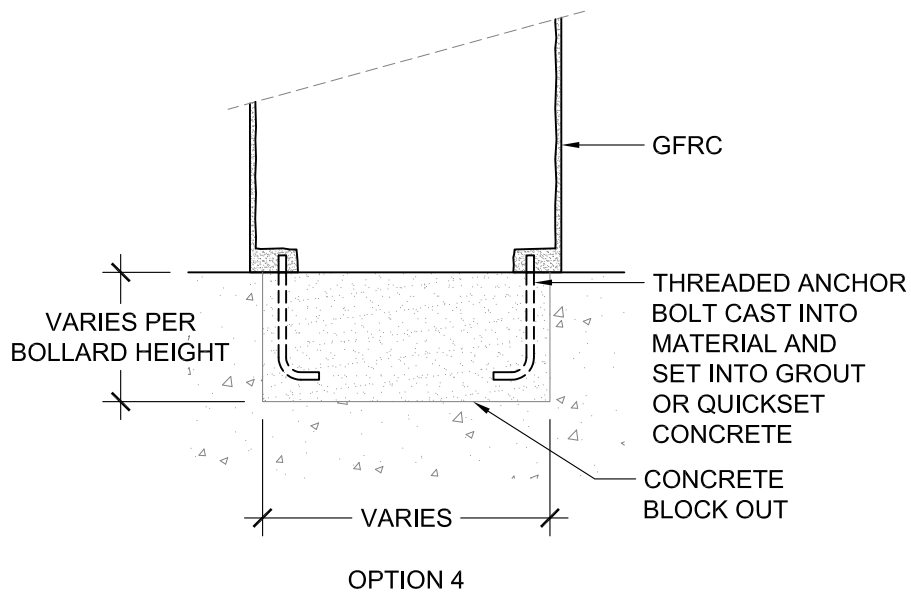
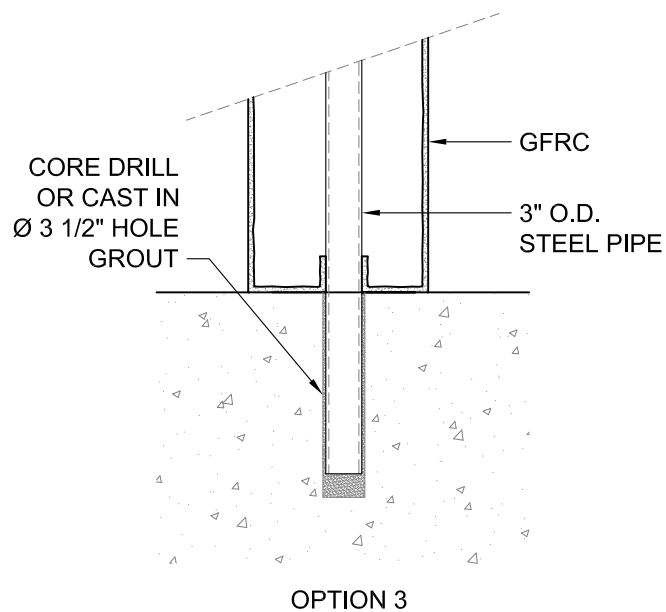
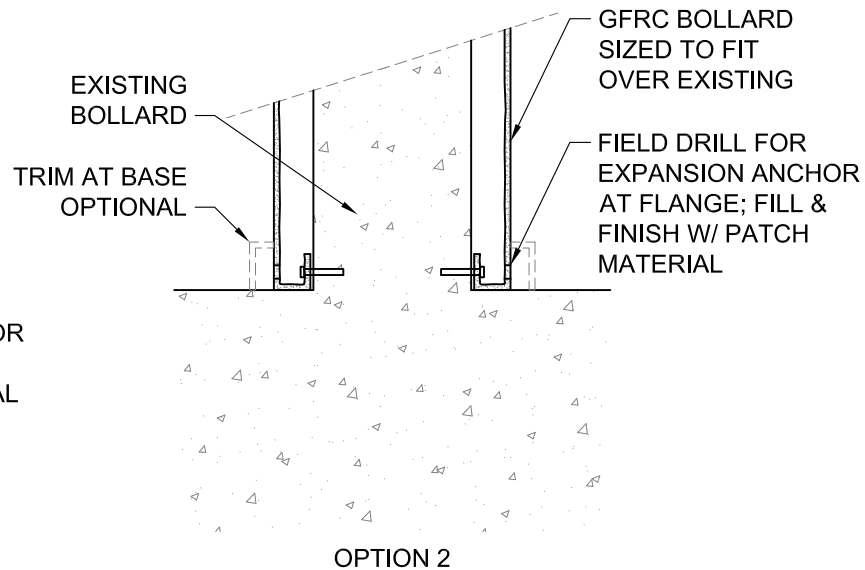
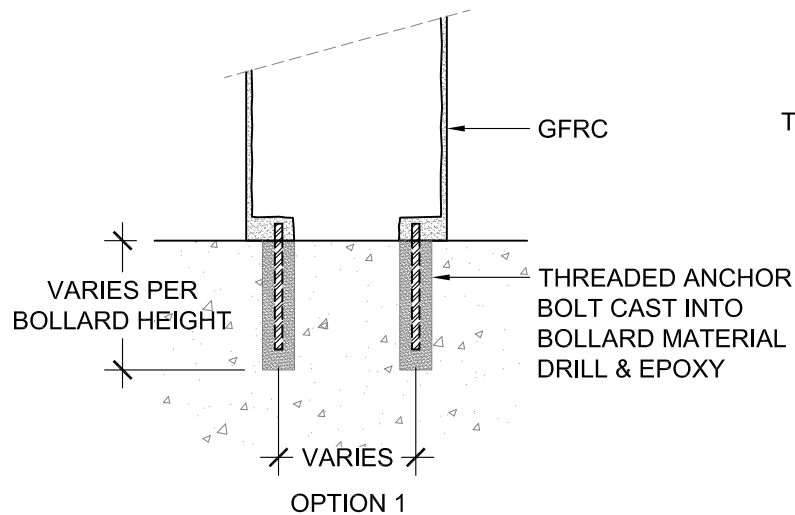
4400 ONEAL STREET, GREENVILLE, TX 75401 PHONE 903.454.9237 FAX 903.454.3642

TITLE: MONTOUR BOLLARD

TYPE DWG: SBO-013

SCALE: AS NOTED

DWG. SHEET: **SBO-013**



ALL RIGHTS RESERVED. THIS DRAWING IS PROPERTY OF THE 4 KIDS INC. AND MAY BE USED ONLY WHEN UTILIZING THE 4 KIDS PRODUCTS. THE 4 KIDS INC. GENERAL TERMS AND CONDITIONS APPLY AND ARE INCORPORATE HERE IN BY REFERENCE. THIS DETAIL MAY NOT APPLY TO ALL CONDITIONS AND CONSTRUCTION SITUATIONS.



CUSTOM THEMED PLAYGROUNDS

4400 ONEAL STREET, GREENVILLE, TX 75401 PHONE 903.454.9237 FAX 903.454.3642

TITLE: BOLLARD

TYPE DWG: MOUNTING

SCALE: AS NOTED

DWG. SHEET: **SBSP-M1**