



Berks Bollard



When visual appeal is just as important as security, it's time to incorporate decorative security posts, like the Berks Bollard, into your project. This barrier accentuates any landscape while adding an additional measure of safety. We build our bollards with material engineered to handle impact as well as weather. Each piece is easy to install and low maintenance. The Berks Bollard, pictured here in concrete finish, is available in many colors, including white, off-white, brick brown, and more. Whether you're restricting traffic or outlining a pedestrian-friendly area, our security posts and barriers provide beauty and safety.

The 4 Kids was born out of a desire to create high quality, one-of-a-kind park shelters and play environments that effectively appeal to children's natural curiosity and imagination.

All of our products are custom designed to work perfectly with your unique playground. Let us know how we can meet your specific needs by contacting our knowledgeable design specialists, today.

Contact Us

Ordering from The 4 Kids is easy, initial consultation & quote is free.
We can also provide you with design ideas and conceptual drawings.
We want your whole experience with The 4 Kids to be smooth & rewarding.

4400 Oneal St. Greenville, TX 75401

903.454.9237

info@the4kids.com

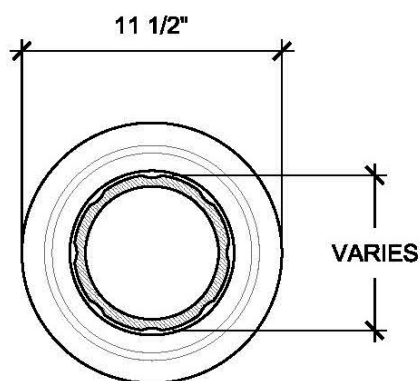
www.the4kids.com

Why Use Us?

Let our team of experienced engineers and artists make your playground the destination for fun! We can create an exciting space where children's imaginations can run wild. A playscape where parents can feel secure and create lasting memories with their whole family.

Key Features

- Also offered in additional finishes, including stone
- Fully customizable size
- Bollards available in any architectural style
- Friendly customer service team ready to answer questions
- Free project quote



SECTION B

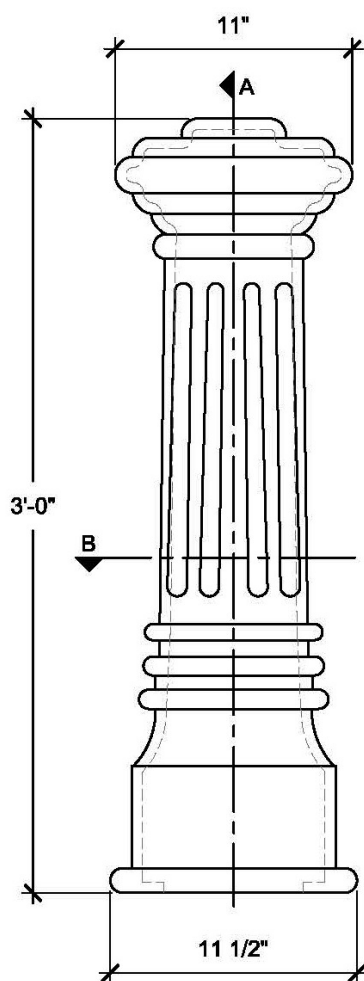
Specifications

Age Range:
N/A

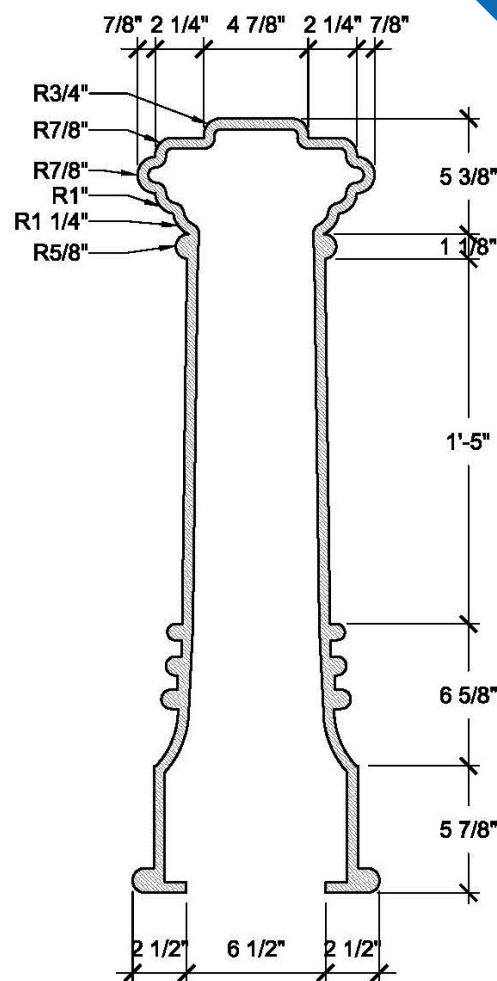
Dimensions:
11-1/2"D x 36"H

Use Zone:
N/A

Mounting Options:
See Typical Installation Details



FRONT VIEW



SECTION A

SIZE CHART

NAME	HEIGHT	WIDTH
SBO 014.1	2'-0"	7 1/2"
SBO 014.2	2'-6"	9 1/2"
SBO 014.3	3'-0"	11 1/2"
SBO 014.4	3'-6"	1'-1 1/2"
SBO 014.5	4'-0"	1'-3 1/4"

Contact Us

Ordering from The 4 Kids is easy, initial consultation & quote is free. We can also provide you with design ideas and conceptual drawings. We want your whole experience with The 4 Kids to be smooth & rewarding.

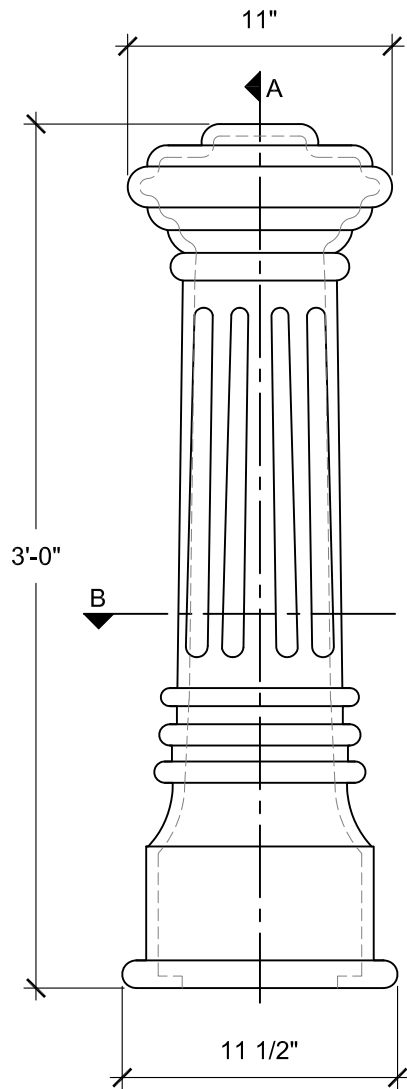
4400 Oneal St. Greenville, TX 75401

903.454.9237

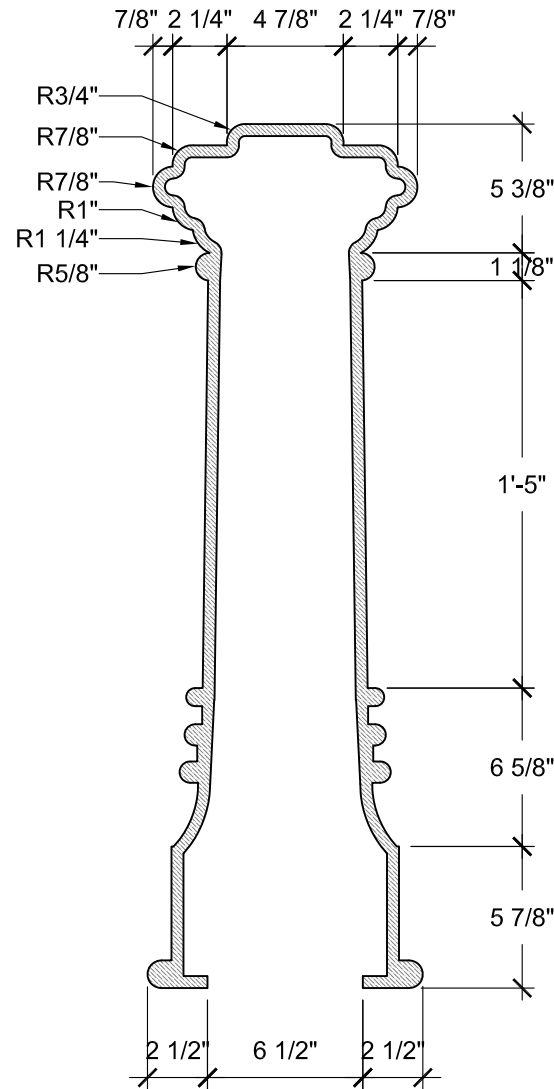
info@the4kids.com

www.the4kids.com

© 2014 The 4 Kids Inc. All rights reserved.

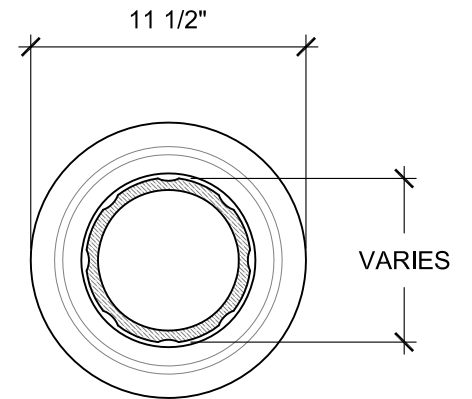


FRONT VIEW
SCALE: 1 1/2" = 1'-0"



SECTION A
SCALE: 1 1/2" = 1'-0"

SIZE CHART		
NAME	HEIGHT	WIDTH
SBO 014.1	2'-0"	7 1/2"
SBO 014.2	2'-6"	9 1/2"
SBO 014.3	3'-0"	11 1/2"
SBO 014.4	3'-6"	1'-1 1/2"
SBO 014.5	4'-0"	1'-3 1/4"



SECTION B
SCALE: 1 1/2" = 1'-0"

ALL RIGHTS RESERVED. THIS DRAWING IS PROPERTY OF THE 4 KIDS INC. AND MAY BE USED ONLY WHEN UTILIZING THE 4 KIDS PRODUCTS. THE 4 KIDS INC. GENERAL TERMS AND CONDITIONS APPLY AND ARE INCORPORATE HERE IN BY REFERENCE. THIS DETAIL MAY NOT APPLY TO ALL CONDITIONS AND CONSTRUCTION SITUATIONS.



CUSTOM THEMED PLAYGROUNDS

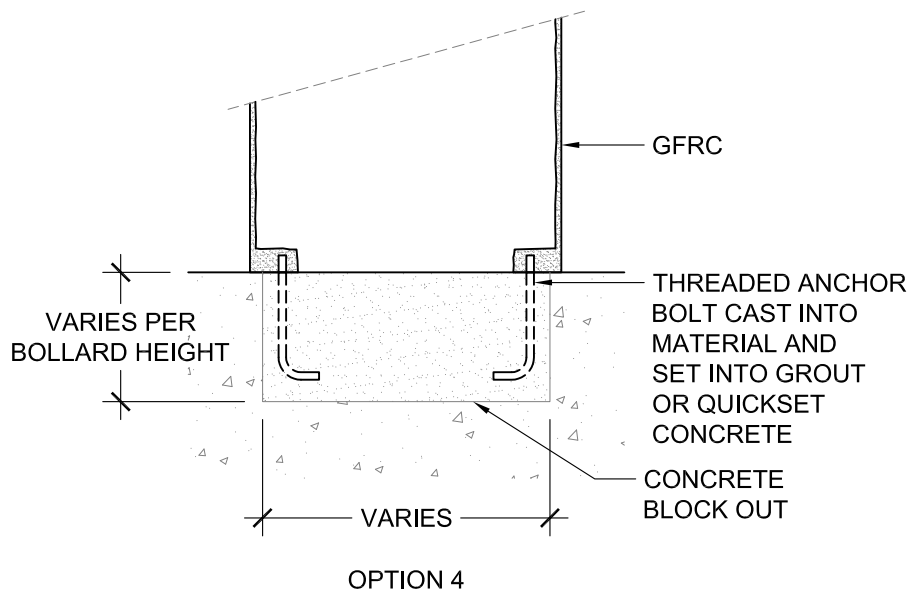
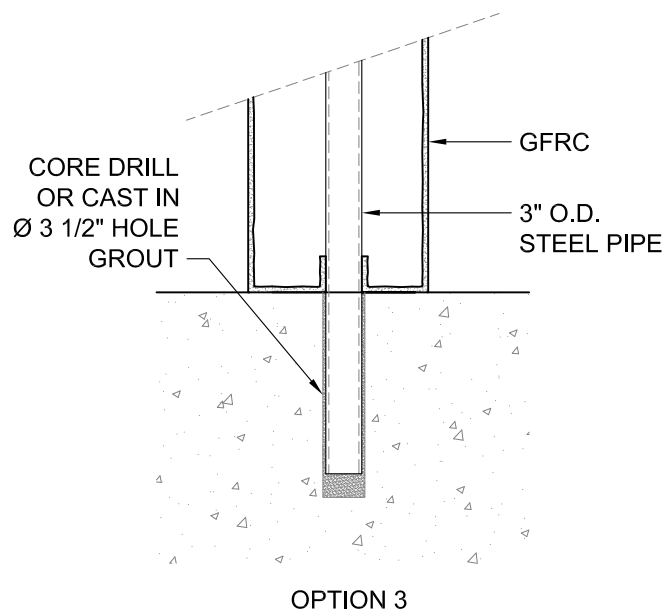
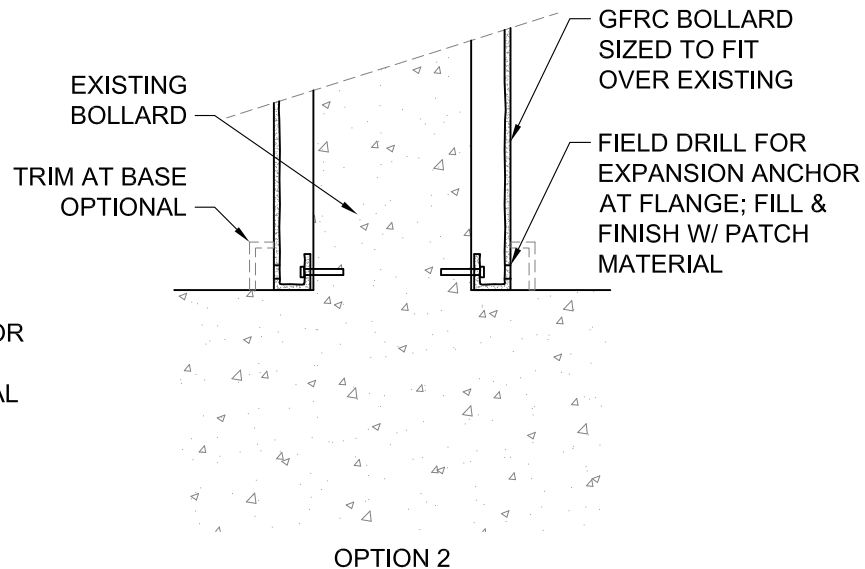
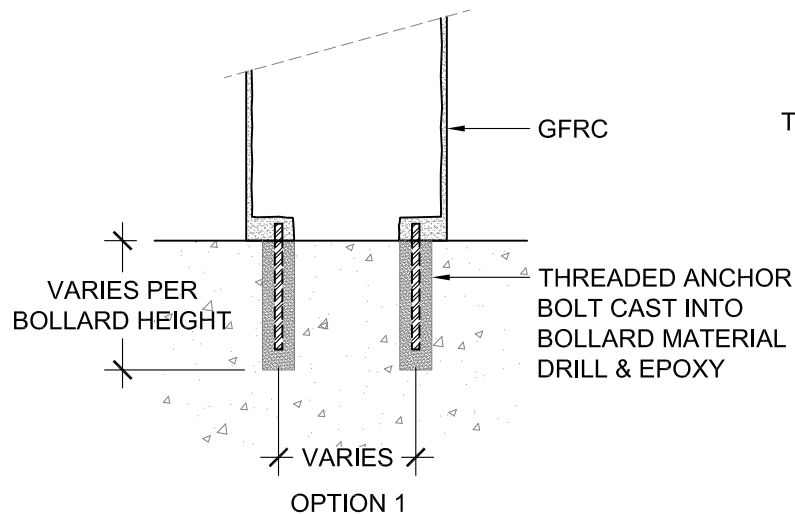
4400 ONEAL STREET, GREENVILLE, TX 75401 PHONE 903.454.9237 FAX 903.454.3642

TITLE: BERKS BOLLARD

TYPE DWG: SBO-014

SCALE: AS NOTED

DWG. SHEET: **SBO-014**



ALL RIGHTS RESERVED. THIS DRAWING IS PROPERTY OF THE 4 KIDS INC. AND MAY BE USED ONLY WHEN UTILIZING THE 4 KIDS PRODUCTS. THE 4 KIDS INC. GENERAL TERMS AND CONDITIONS APPLY AND ARE INCORPORATE HERE IN BY REFERENCE. THIS DETAIL MAY NOT APPLY TO ALL CONDITIONS AND CONSTRUCTION SITUATIONS.



CUSTOM THEMED PLAYGROUNDS

4400 ONEAL STREET, GREENVILLE, TX 75401 PHONE 903.454.9237 FAX 903.454.3642

TITLE: BOLLARD

TYPE DWG: MOUNTING

SCALE: AS NOTED

DWG. SHEET: **SBSP-M1**