



# Luzerne Bollard

---

---



Forget bulky, industrial-looking security barriers and posts — the Luzerne Bollard delivers the ideal blend of style and security. Our ornamental bollards are crafted from material known for its strength and durability, offering a long service life. This allows you to safeguard property and people without sacrificing aesthetics. Plus, the pigments are UV-stable, so even dark colors are resistant to fading. The size is fully customizable so you get exactly what your specific project requires.

The 4 Kids was born out of a desire to create high quality, one-of-a-kind park shelters and play environments that effectively appeal to children's natural curiosity and imagination.

All of our products are custom designed to work perfectly with your unique playground. Let us know how we can meet your specific needs by contacting our knowledgeable design specialists, today.

## Contact Us

Ordering from The 4 Kids is easy, initial consultation & quote is free.  
We can also provide you with design ideas and conceptual drawings.  
We want your whole experience with The 4 Kids to be smooth & rewarding.

4400 Oneal St. Greenville, TX 75401

903.454.9237

[info@the4kids.com](mailto:info@the4kids.com)

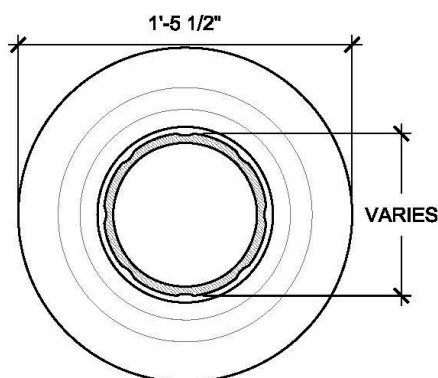
[www.the4kids.com](http://www.the4kids.com)

## Why Use Us?

Let our team of experienced engineers and artists make your playground the destination for fun! We can create an exciting space where children's imaginations can run wild. A playscape where parents can feel secure and create lasting memories with their whole family.

## Key Features

- Ideal for schools, college campuses, hospitals, office or residential buildings and more
- Many architectural styles available, from traditional to modern
- Manufacturer-direct prices
- Friendly, experienced staff ready to guide you
- No-cost quote



SECTION B

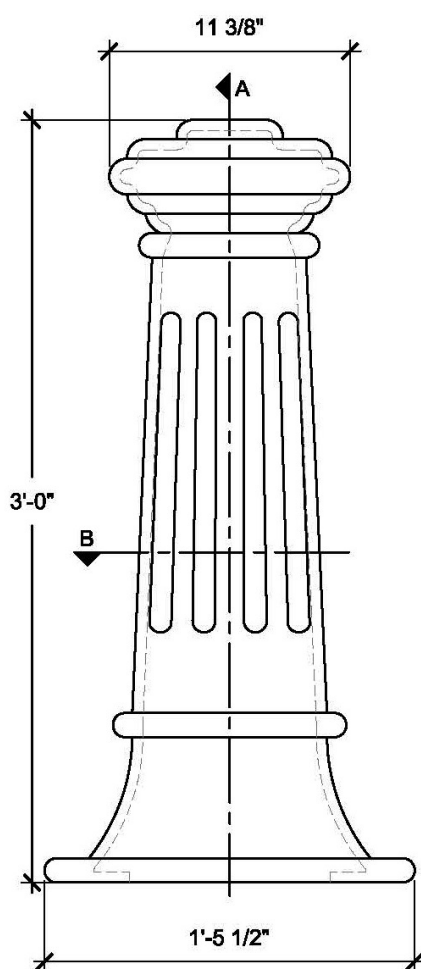
## Specifications

**Age Range:**  
N/A

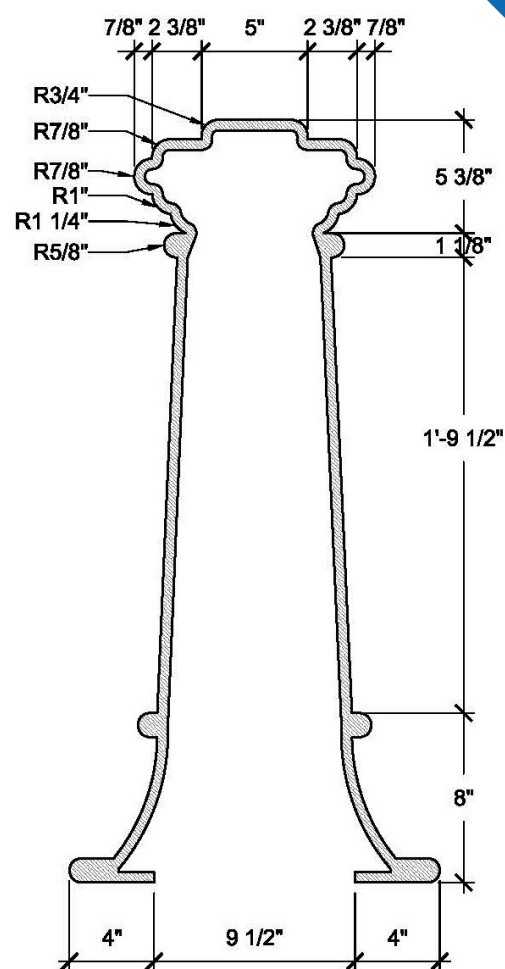
**Dimensions:**  
1'-5-1/2"D x 36"H

**Use Zone:**  
N/A

**Mounting Options:**  
See Typical  
Installation Details



FRONT VIEW



SECTION A

## SIZE CHART

NAME	HEIGHT	WIDTH
SBO 015.1	2'-0"	11 1/2"
SBO 015.2	2'-6"	1'-2 1/2"
SBO 015.3	3'-0"	1'-5 1/2"
SBO 015.4	3'-6"	1'-8 1/2"
SBO 015.5	4'-0"	1'-11 1/2"

## Contact Us

Ordering from The 4 Kids is easy, initial consultation & quote is free. We can also provide you with design ideas and conceptual drawings. We want your whole experience with The 4 Kids to be smooth & rewarding.

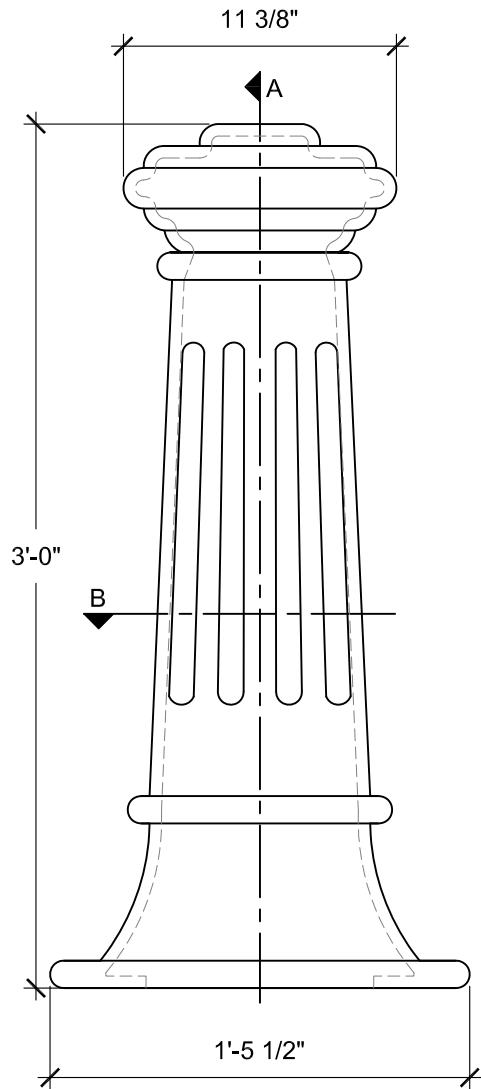
4400 Oneal St. Greenville, TX 75401

903.454.9237

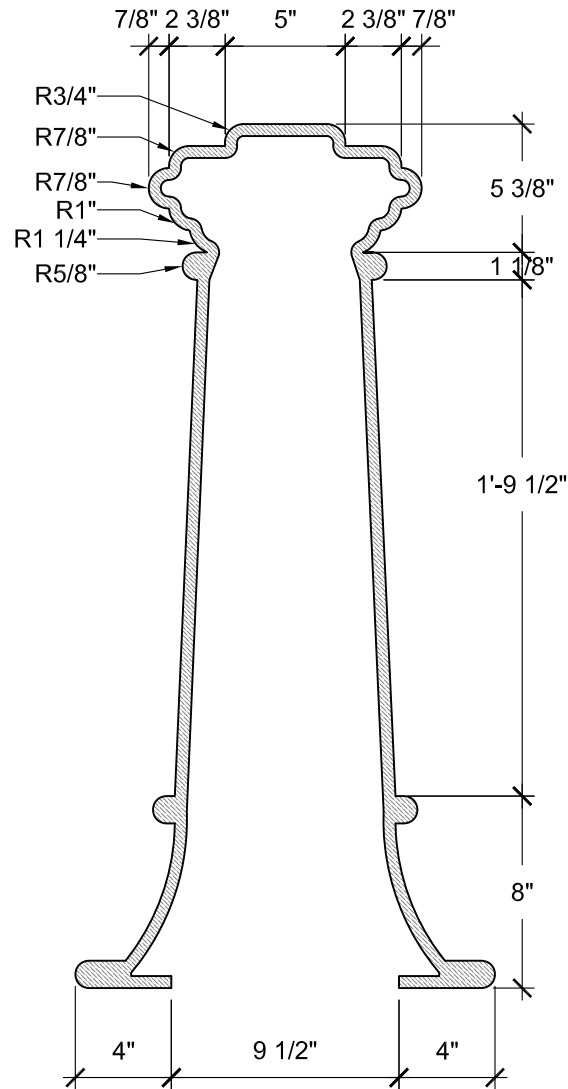
info@the4kids.com

www.the4kids.com

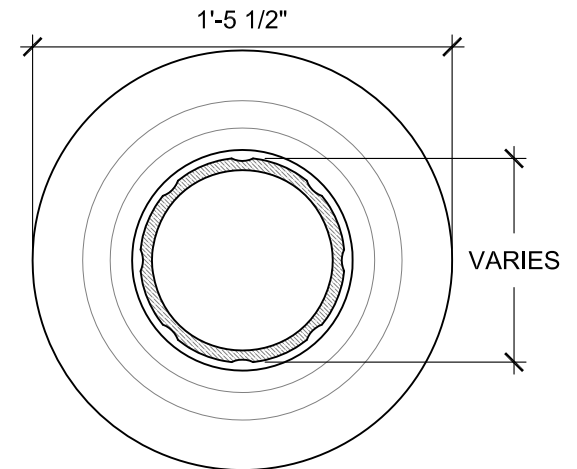
© 2014 The 4 Kids Inc. All rights reserved.



FRONT VIEW  
SCALE: 1 1/2" = 1'-0"



SECTION A  
SCALE: 1 1/2" = 1'-0"



SECTION B  
SCALE: 1 1/2" = 1'-0"

SIZE CHART		
NAME	HEIGHT	WIDTH
SBO 015.1	2'-0"	11 1/2"
SBO 015.2	2'-6"	1'-2 1/2"
SBO 015.3	3'-0"	1'-5 1/2"
SBO 015.4	3'-6"	1'-8 1/2"
SBO 015.5	4'-0"	1'-11 1/2"

ALL RIGHTS RESERVED. THIS DRAWING IS PROPERTY OF THE 4 KIDS INC. AND MAY BE USED ONLY WHEN UTILIZING THE 4 KIDS PRODUCTS. THE 4 KIDS INC. GENERAL TERMS AND CONDITIONS APPLY AND ARE INCORPORATE HERE IN BY REFERENCE. THIS DETAIL MAY NOT APPLY TO ALL CONDITIONS AND CONSTRUCTION SITUATIONS.



**CUSTOM THEMED PLAYGROUNDS**

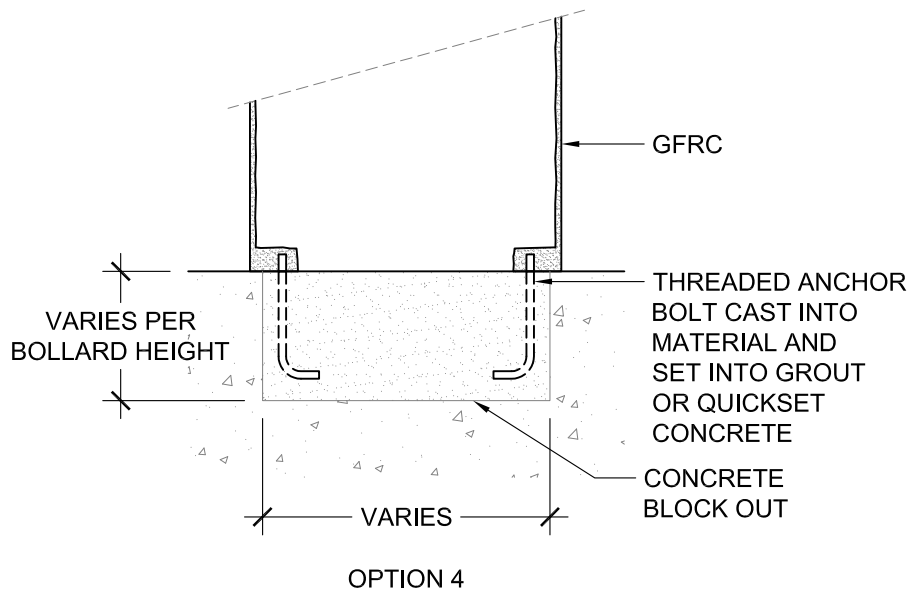
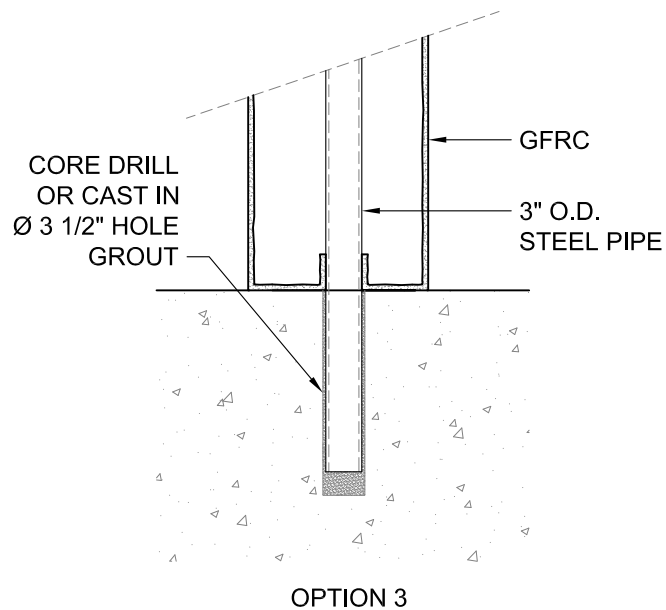
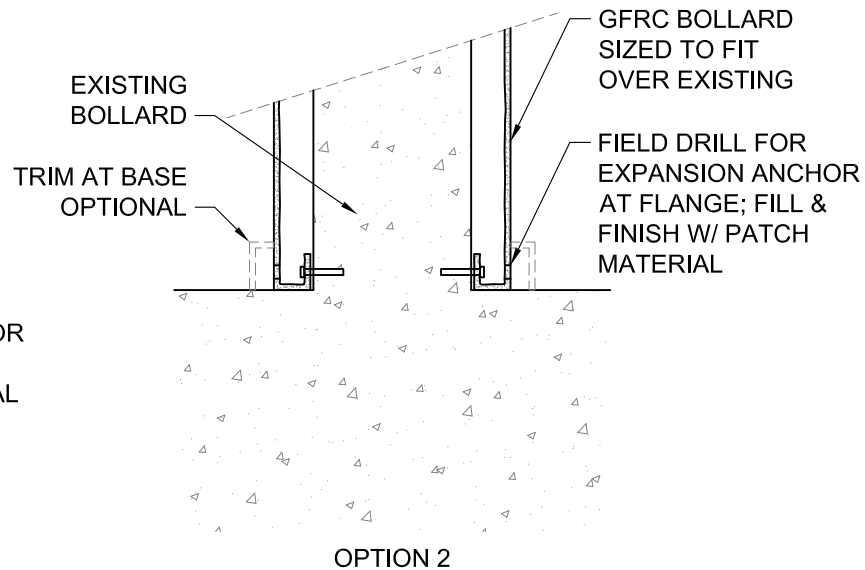
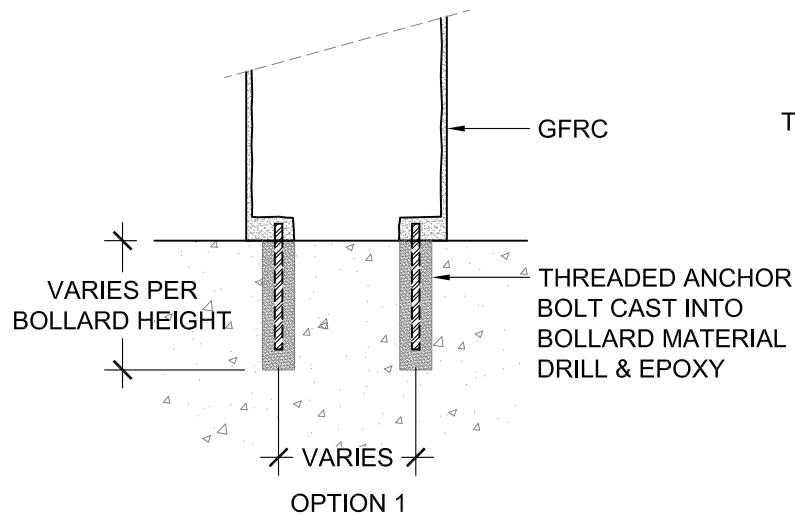
4400 ONEAL STREET, GREENVILLE, TX 75401 PHONE 903.454.9237 FAX 903.454.3642

TITLE: LUZERNE BOLLARD

TYPE DWG: SBO-015

SCALE: AS NOTED

DWG. SHEET: **SBO-015**



ALL RIGHTS RESERVED. THIS DRAWING IS PROPERTY OF THE 4 KIDS INC. AND MAY BE USED ONLY WHEN UTILIZING THE 4 KIDS PRODUCTS. THE 4 KIDS INC. GENERAL TERMS AND CONDITIONS APPLY AND ARE INCORPORATE HERE IN BY REFERENCE. THIS DETAIL MAY NOT APPLY TO ALL CONDITIONS AND CONSTRUCTION SITUATIONS.



**CUSTOM THEMED PLAYGROUNDS**

4400 ONEAL STREET, GREENVILLE, TX 75401 PHONE 903.454.9237 FAX 903.454.3642

TITLE: BOLLARD

TYPE DWG: MOUNTING

SCALE: AS NOTED

DWG. SHEET: **SBSP-M1**