



Cambria Bollard



The Cambria Bollard is a distinct, modern addition to any streetscape or landscape. Crafted with unique visual appeal in mind, this ornamental bollard is a great fit for properties with modern architecture as well as public gardens. Our post is also a fully functional bollard built using super-tough material. It's been engineered to withstand impact, so it provides additional safety in plazas, parking areas, and pedestrian-friendly zones. We will construct this to whatever size you choose, and it's available in many colors, from white to brick brown and virtually anything in between.

The 4 Kids was born out of a desire to create high quality, one-of-a-kind park shelters and play environments that effectively appeal to children's natural curiosity and imagination.

All of our products are custom designed to work perfectly with your unique playground. Let us know how we can meet your specific needs by contacting our knowledgeable design specialists, today.

Contact Us

Ordering from The 4 Kids is easy, initial consultation & quote is free.
We can also provide you with design ideas and conceptual drawings.
We want your whole experience with The 4 Kids to be smooth & rewarding.

4400 Oneal St. Greenville, TX 75401

903.454.9237

info@the4kids.com

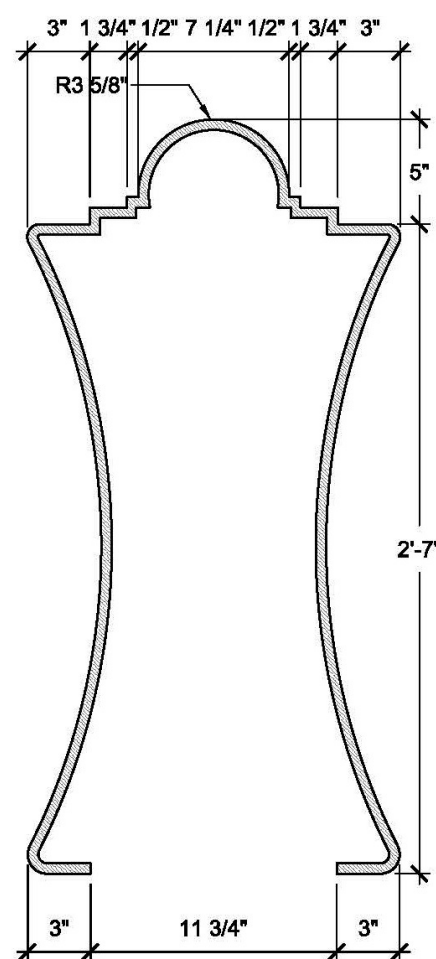
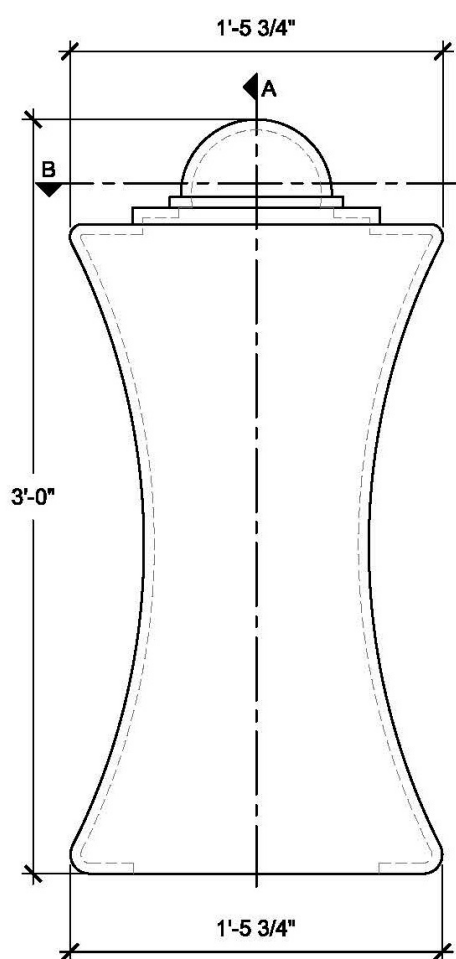
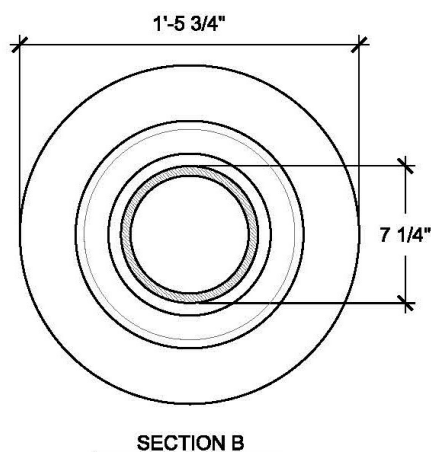
www.the4kids.com

Why Use Us?

Let our team of experienced engineers and artists make your playground the destination for fun! We can create an exciting space where children's imaginations can run wild. A playscape where parents can feel secure and create lasting memories with their whole family.

Key Features

- Offered in concrete finish (shown) or stone finish
- Wide range of additional styles available
- Expert team with more than 30 years of architectural product experience
- Free design assistance



FRONT VIEW

SECTION A

Specifications

Age Range:
N/A

Dimensions:
1'-5-3/4"D x 36"H

Use Zone:
N/A

Mounting Options:
See Typical
Installation Details

SIZE CHART

NAME	HEIGHT	WIDTH
SBO 016.1	2'-0"	11 3/4"
SBO 016.2	2'-6"	1'-2 3/4"
SBO 016.3	3'-0"	1'-5 3/4"
SBO 016.4	3'-6"	1'-8 3/4"
SBO 016.5	4'-0"	1'-11 3/4"

Contact Us

Ordering from The 4 Kids is easy, initial consultation & quote is free. We can also provide you with design ideas and conceptual drawings. We want your whole experience with The 4 Kids to be smooth & rewarding.

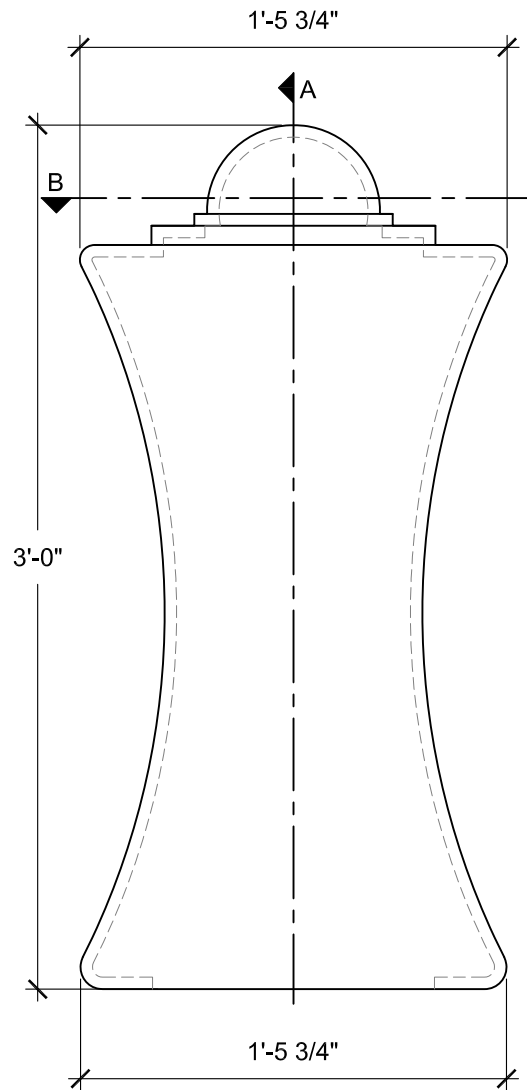
4400 Oneal St. Greenville, TX 75401

903.454.9237

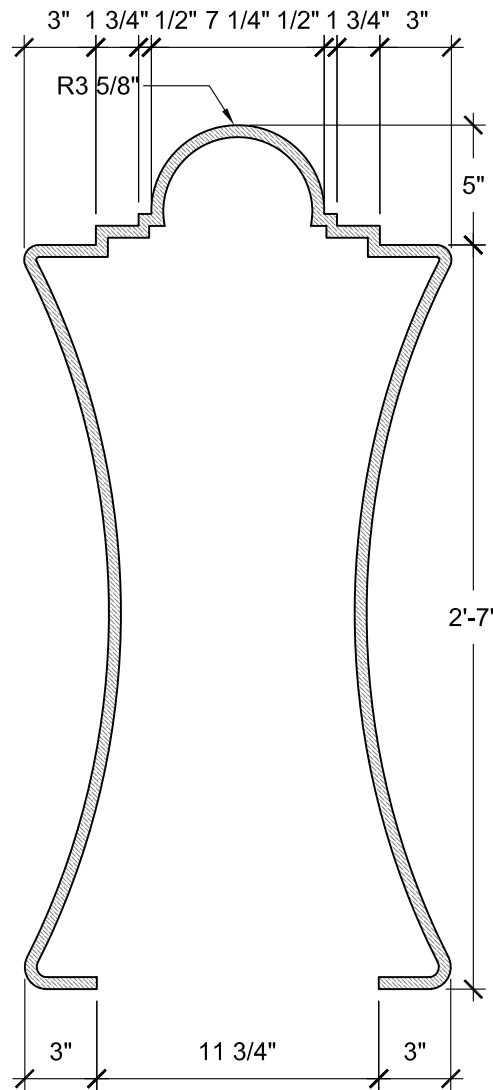
info@the4kids.com

www.the4kids.com

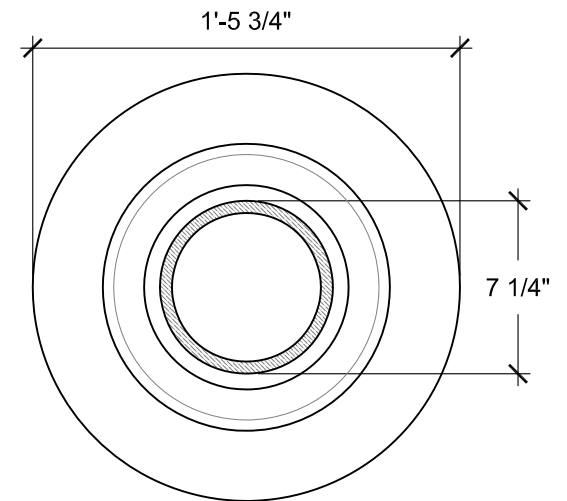
© 2014 The 4 Kids Inc. All rights reserved.



FRONT VIEW
SCALE: 1 1/2" = 1'-0"



SECTION A
SCALE: 1 1/2" = 1'-0"



SECTION B
SCALE: 1 1/2" = 1'-0"

SIZE CHART

NAME	HEIGHT	WIDTH
SBO 016.1	2'-0"	11 3/4"
SBO 016.2	2'-6"	1'-2 3/4"
SBO 016.3	3'-0"	1'-5 3/4"
SBO 016.4	3'-6"	1'-8 3/4"
SBO 016.5	4'-0"	1'-11 3/4"

ALL RIGHTS RESERVED. THIS DRAWING IS PROPERTY OF THE 4 KIDS INC. AND MAY BE USED ONLY WHEN UTILIZING THE 4 KIDS PRODUCTS. THE 4 KIDS INC. GENERAL TERMS AND CONDITIONS APPLY AND ARE INCORPORATE HERE IN BY REFERENCE. THIS DETAIL MAY NOT APPLY TO ALL CONDITIONS AND CONSTRUCTION SITUATIONS.



CUSTOM THEMED PLAYGROUNDS

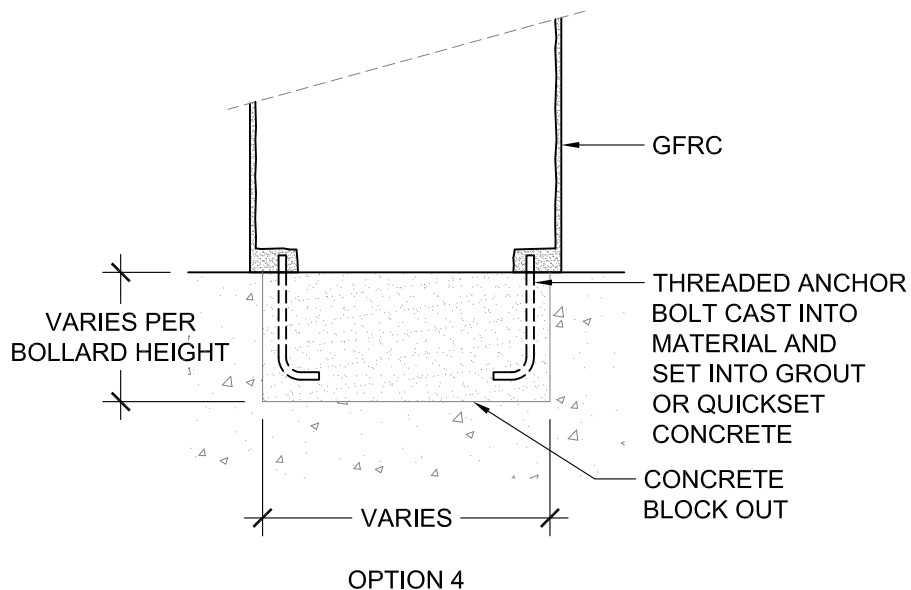
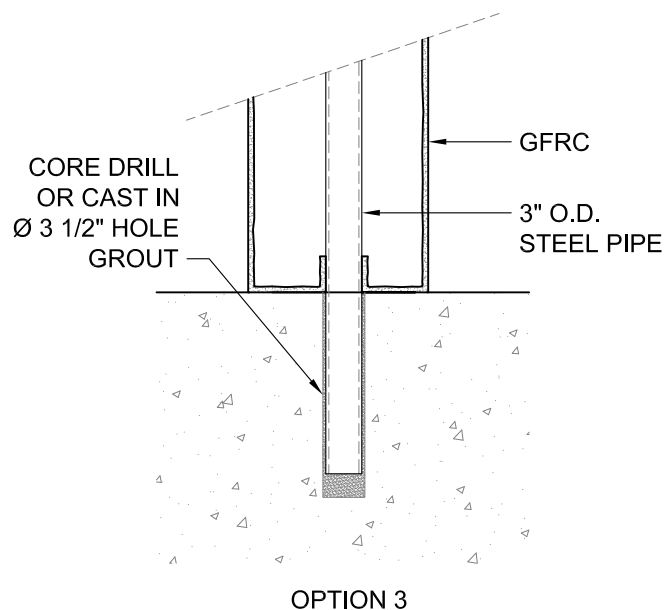
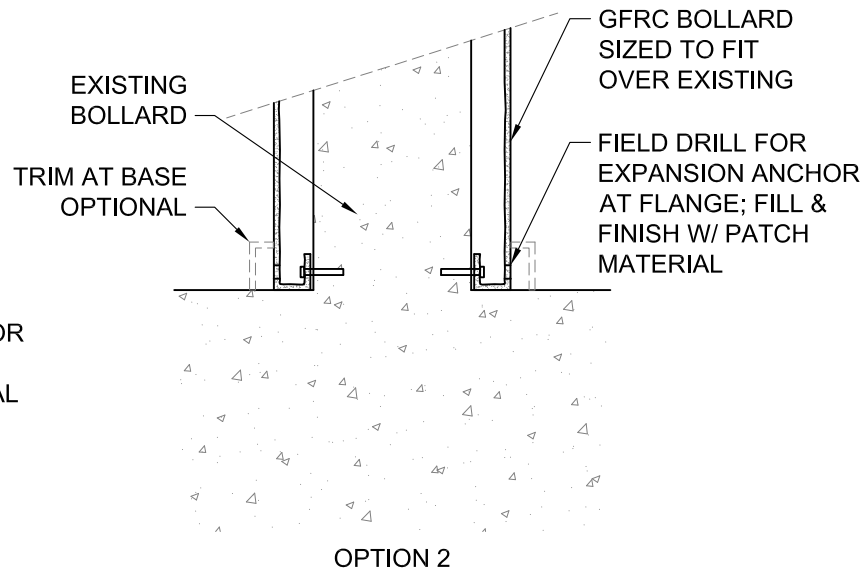
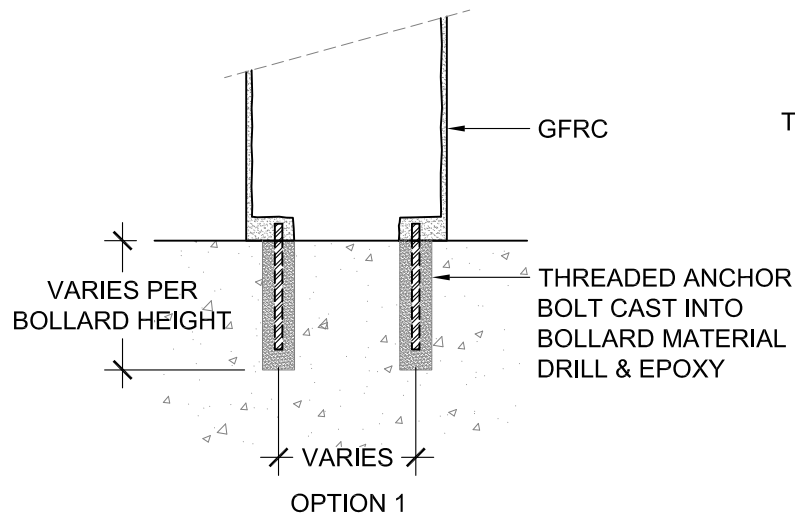
4400 ONEAL STREET, GREENVILLE, TX 75401 PHONE 903.454.9237 FAX 903.454.3642

TITLE: CAMBRIA BOLLARD

TYPE DWG: SBO-016

SCALE: AS NOTED

DWG. SHEET: **SBO-016**



ALL RIGHTS RESERVED. THIS DRAWING IS PROPERTY OF THE 4 KIDS INC. AND MAY BE USED ONLY WHEN UTILIZING THE 4 KIDS PRODUCTS. THE 4 KIDS INC. GENERAL TERMS AND CONDITIONS APPLY AND ARE INCORPORATE HERE IN BY REFERENCE. THIS DETAIL MAY NOT APPLY TO ALL CONDITIONS AND CONSTRUCTION SITUATIONS.



CUSTOM THEMED PLAYGROUNDS

4400 ONEAL STREET, GREENVILLE, TX 75401 PHONE 903.454.9237 FAX 903.454.3642

TITLE: BOLLARD

TYPE DWG: MOUNTING

SCALE: AS NOTED

DWG. SHEET: **SBSP-M1**