



Monolith Bollard



Security is critical, but it's also important to make people feel comfortable that makes security products like the Monolith Bollard a wise choice for property owners. This barrier is crafted with highly durable material that withstands impact to help protect people, vehicles, and buildings; yet it conveys a timeless beauty that won't make guests or residents feel as though they're living in a fortress. It's shown here in concrete finish, but other finishes and colors are available as well. The Monolith Bollard is suitable for public gardens, hospitals, schools, museums, and residential or office buildings.

The 4 Kids was born out of a desire to create high quality, one-of-a-kind park shelters and play environments that effectively appeal to children's natural curiosity and imagination.

All of our products are custom designed to work perfectly with your unique playground. Let us know how we can meet your specific needs by contacting our knowledgeable design specialists, today.

Contact Us

Ordering from The 4 Kids is easy, initial consultation & quote is free.
We can also provide you with design ideas and conceptual drawings.
We want your whole experience with The 4 Kids to be smooth & rewarding.

4400 Oneal St. Greenville, TX 75401

903.454.9237

info@the4kids.com

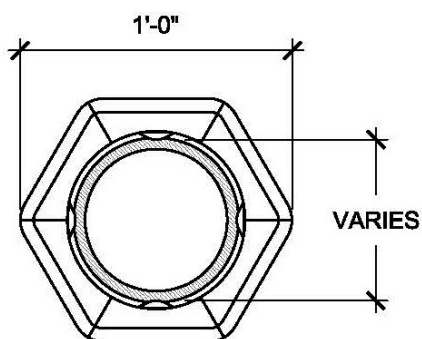
www.the4kids.com

Why Use Us?

Let our team of experienced engineers and artists make your playground the destination for fun! We can create an exciting space where children's imaginations can run wild. A playscape where parents can feel secure and create lasting memories with their whole family.

Key Features

- Custom sizing options
- Additional security post and barrier styles available, including illuminated bollards
- Ability to mount on the surface or build into the ground
- Experienced, friendly customer service team
- Free, no-obligation project quote
- Custom projects welcome



SECTION B

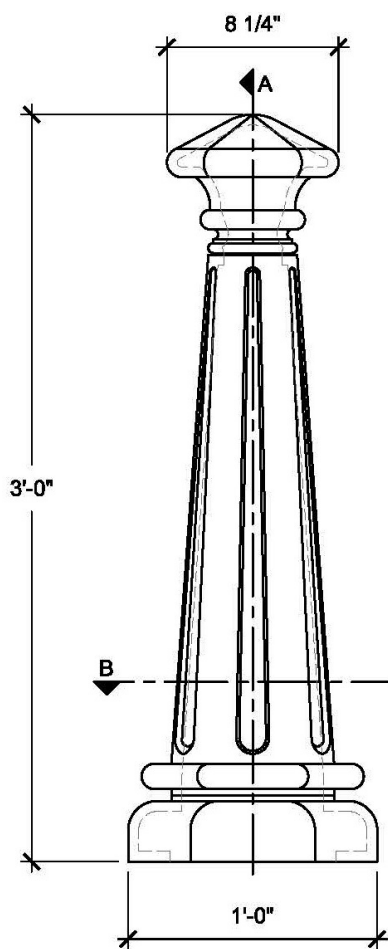
Specifications

Age Range:
N/A

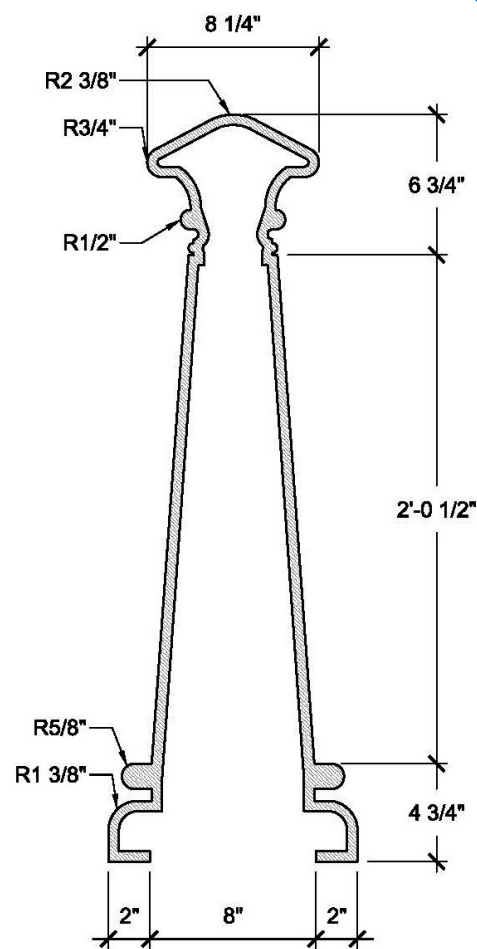
Dimensions:
1'D x 3'H

Use Zone:
N/A

Mounting Options:
See Typical
Installation Details



FRONT VIEW



SECTION A

SIZE CHART

NAME	HEIGHT	WIDTH
SBO 017.1	2'-0"	8"
SBO 017.2	2'-6"	10"
SBO 017.3	3'-0"	1'-0"
SBO 017.4	3'-6"	1'-2"
SBO 017.5	4'-0"	1'-4"

Contact Us

Ordering from The 4 Kids is easy, initial consultation & quote is free. We can also provide you with design ideas and conceptual drawings. We want your whole experience with The 4 Kids to be smooth & rewarding.

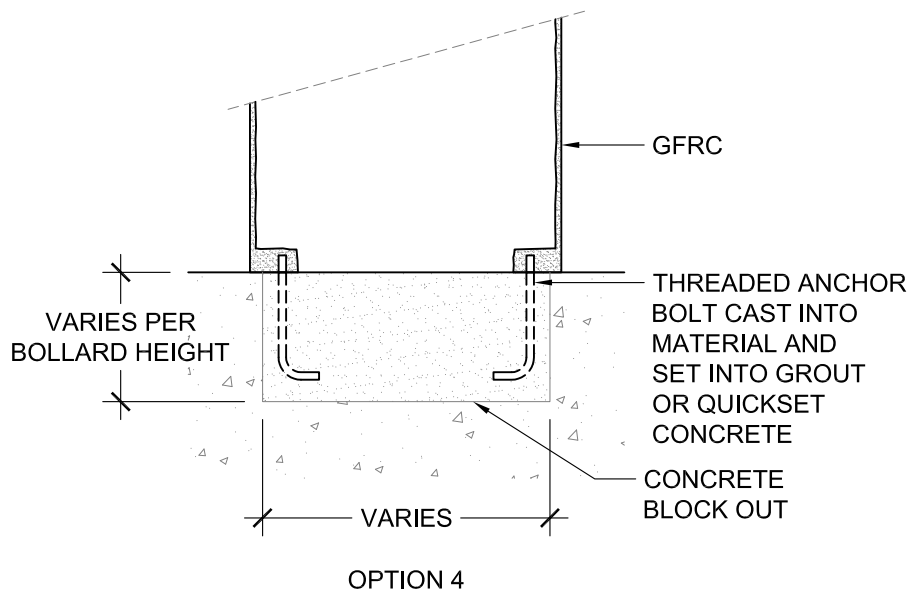
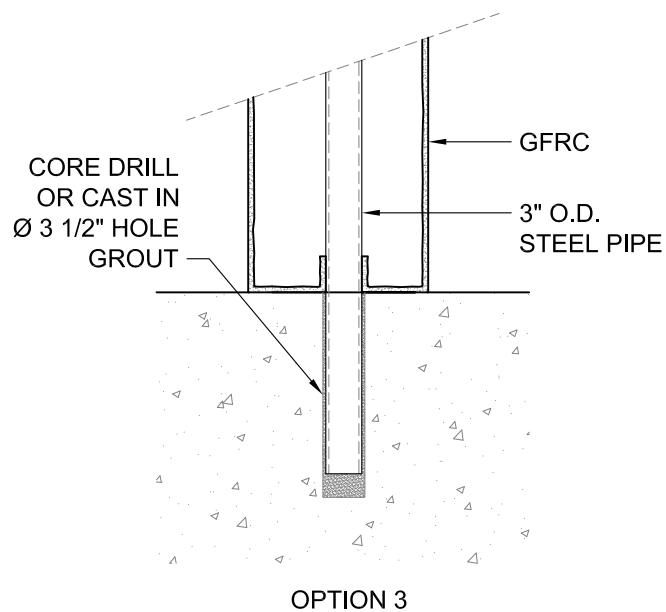
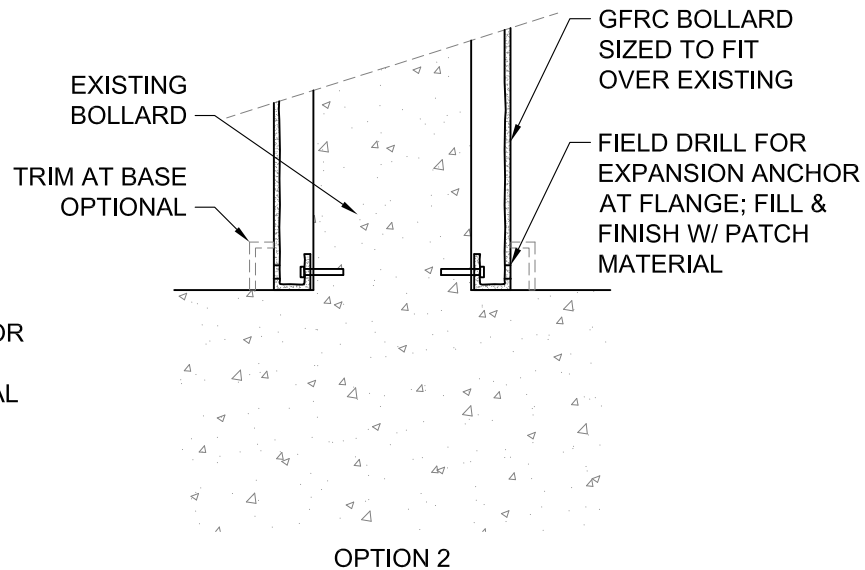
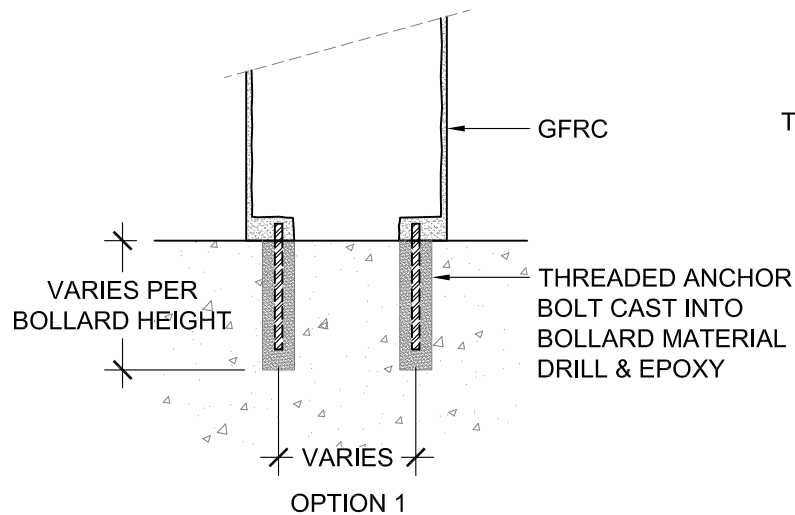
4400 Oneal St. Greenville, TX 75401

903.454.9237

info@the4kids.com

www.the4kids.com

© 2014 The 4 Kids Inc. All rights reserved.



ALL RIGHTS RESERVED. THIS DRAWING IS PROPERTY OF THE 4 KIDS INC. AND MAY BE USED ONLY WHEN UTILIZING THE 4 KIDS PRODUCTS. THE 4 KIDS INC. GENERAL TERMS AND CONDITIONS APPLY AND ARE INCORPORATE HERE IN BY REFERENCE. THIS DETAIL MAY NOT APPLY TO ALL CONDITIONS AND CONSTRUCTION SITUATIONS.



CUSTOM THEMED PLAYGROUNDS

4400 ONEAL STREET, GREENVILLE, TX 75401 PHONE 903.454.9237 FAX 903.454.3642

TITLE: BOLLARD

TYPE DWG: MOUNTING

SCALE: AS NOTED

DWG. SHEET: **SBSP-M1**