



Huron Bollard



Security? Check.
Visual appeal? Check.
The Huron Bollard is a fantastic choice for properties where it's important to help guests or residents feel safe and comfortable. Like all our security barriers and posts, this design is engineered to handle impact, safeguarding people and property without detracting from the landscape or streetscape. This particular design is a classic, so it's a great option for a wide range of properties, from hotels to schools, from museums to apartment buildings. Custom sizing is available as well as a wide range of color choices.

The 4 Kids was born out of a desire to create high quality, one-of-a-kind park shelters and play environments that effectively appeal to children's natural curiosity and imagination.

All of our products are custom designed to work perfectly with your unique playground. Let us know how we can meet your specific needs by contacting our knowledgeable design specialists, today.

Contact Us

Ordering from The 4 Kids is easy, initial consultation & quote is free.
We can also provide you with design ideas and conceptual drawings.
We want your whole experience with The 4 Kids to be smooth & rewarding.

4400 Oneal St. Greenville, TX 75401

903.454.9237

info@the4kids.com

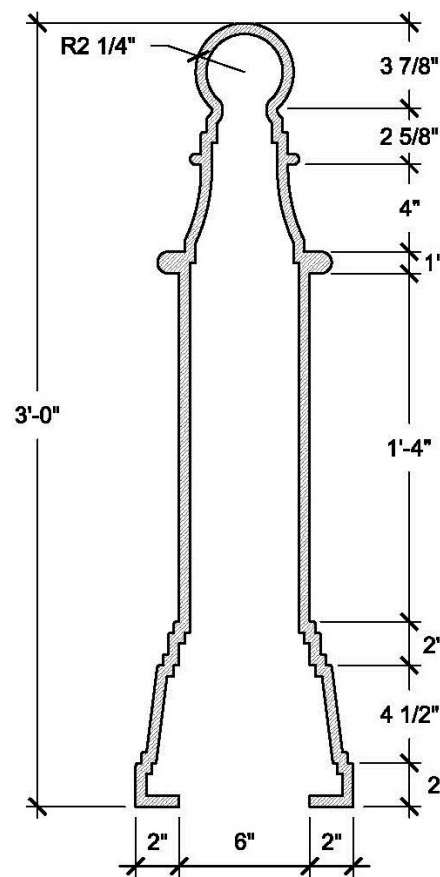
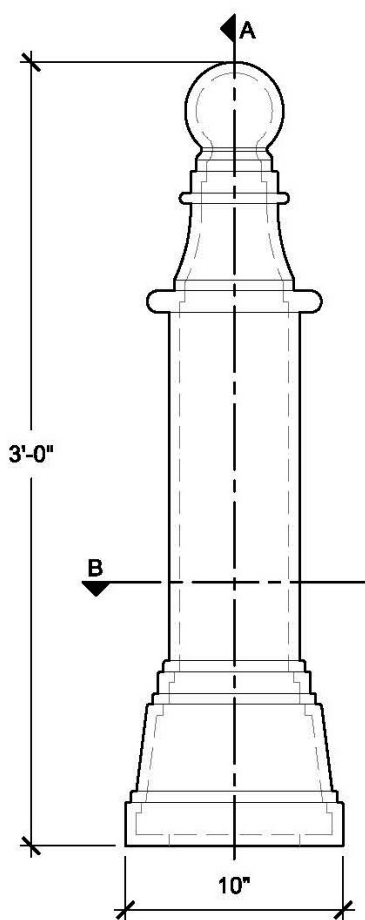
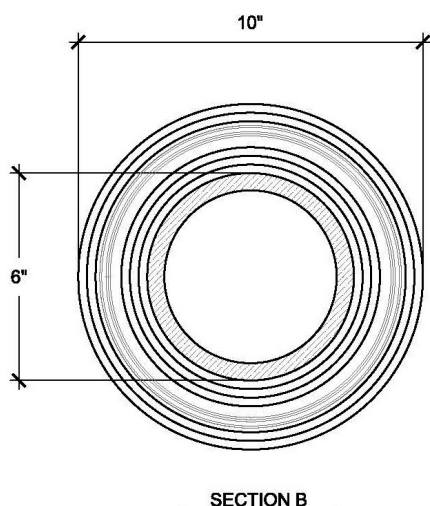
www.the4kids.com

Why Use Us?

Let our team of experienced engineers and artists make your playground the destination for fun! We can create an exciting space where children's imaginations can run wild. A playscape where parents can feel secure and create lasting memories with their whole family.

Key Features

- Available in concrete finish (shown) and stone finish
- Many additional architectural styles offered
- Made in America
- Friendly staff with the know-how and tools to guide you from start to finish
- Free, no-obligation consultation and quote



Specifications

Age Range:
N/A

Dimensions:
10"Dx 36"H

Use Zone:
N/A

Mounting Options:
See Typical
Installation Details

SIZE CHART

NAME	HEIGHT	WIDTH
SBO 001.1	2'-0"	0'-7"
SBO 001.2	2'-6"	0'-9"
SBO 001.3	3'-0"	0'-10"
SBO 001.4	3'-6"	1'-0"
SBO 001.5	4'-0"	1'-2"

Contact Us

Ordering from The 4 Kids is easy, initial consultation & quote is free. We can also provide you with design ideas and conceptual drawings. We want your whole experience with The 4 Kids to be smooth & rewarding.

4400 Oneal St. Greenville, TX 75401

903.454.9237

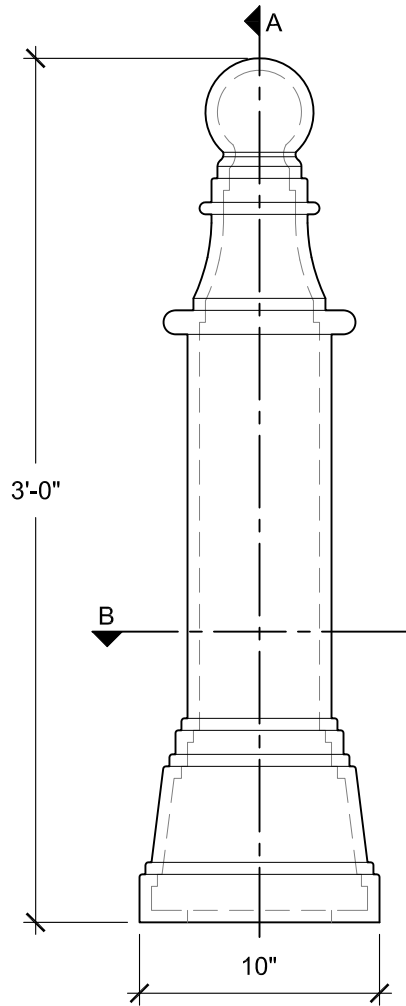
info@the4kids.com

www.the4kids.com

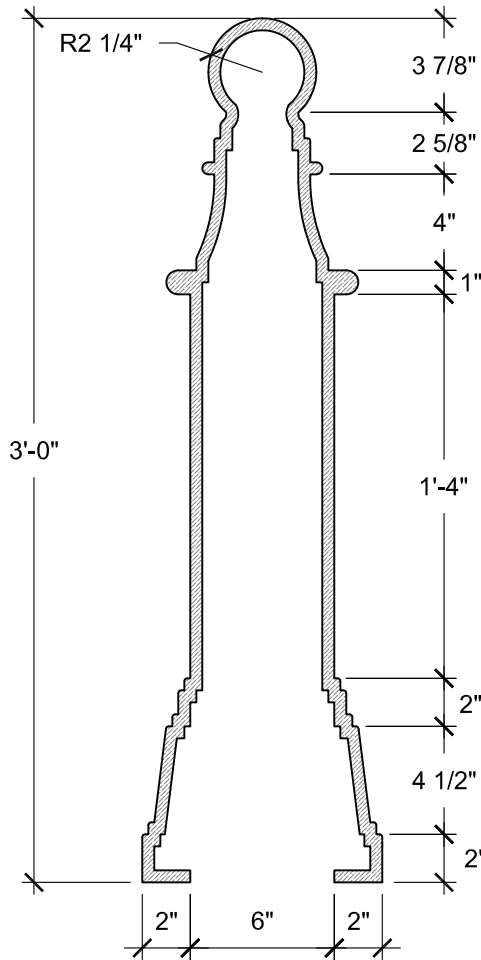
© 2014 The 4 Kids Inc. All rights reserved.

SIZE CHART

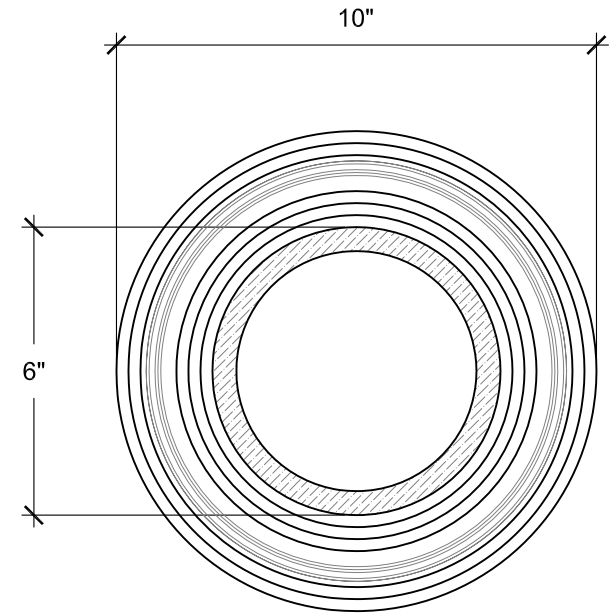
NAME	HEIGHT	WIDTH
SBO 001.1	2'-0"	0'-7"
SBO 001.2	2'-6"	0'-9"
SBO 001.3	3'-0"	0'-10"
SBO 001.4	3'-6"	1'-0"
SBO 001.5	4'-0"	1'-2"



FRONT VIEW
SCALE: 1 1/2" = 1'-0"



SECTION A
SCALE: 1 1/2" = 1'-0"



SECTION B
SCALE: 3" = 1'-0"

ALL RIGHTS RESERVED. THIS DRAWING IS PROPERTY OF THE 4 KIDS INC. AND MAY BE USED ONLY WHEN UTILIZING THE 4 KIDS PRODUCTS. THE 4 KIDS INC. GENERAL TERMS AND CONDITIONS APPLY AND ARE INCORPORATE HERE IN BY REFERENCE. THIS DETAIL MAY NOT APPLY TO ALL CONDITIONS AND CONSTRUCTION SITUATIONS.



CUSTOM THEMED PLAYGROUNDS

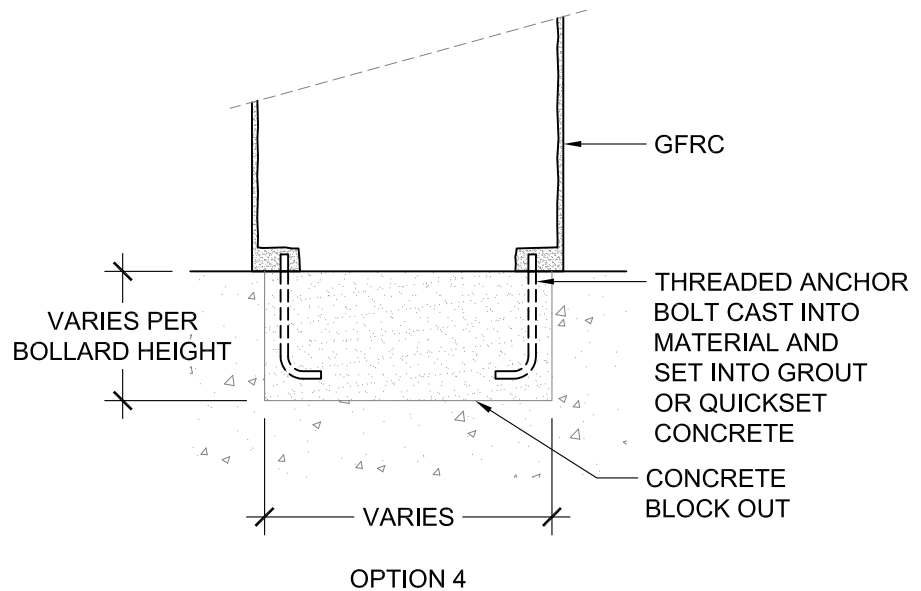
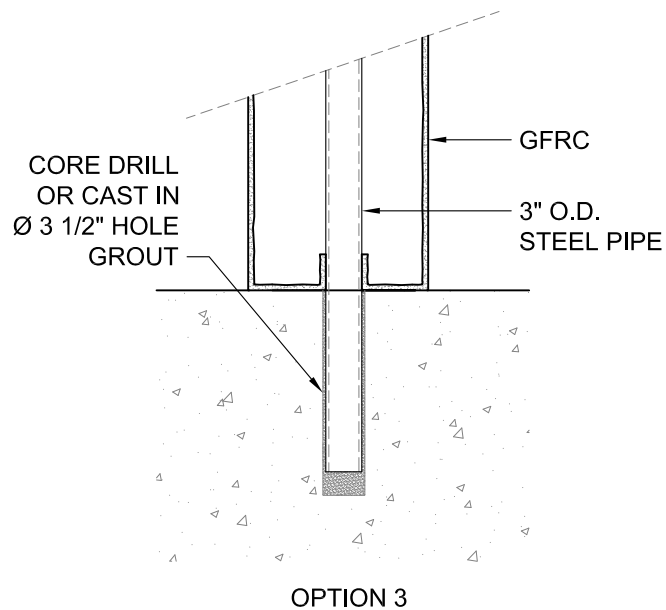
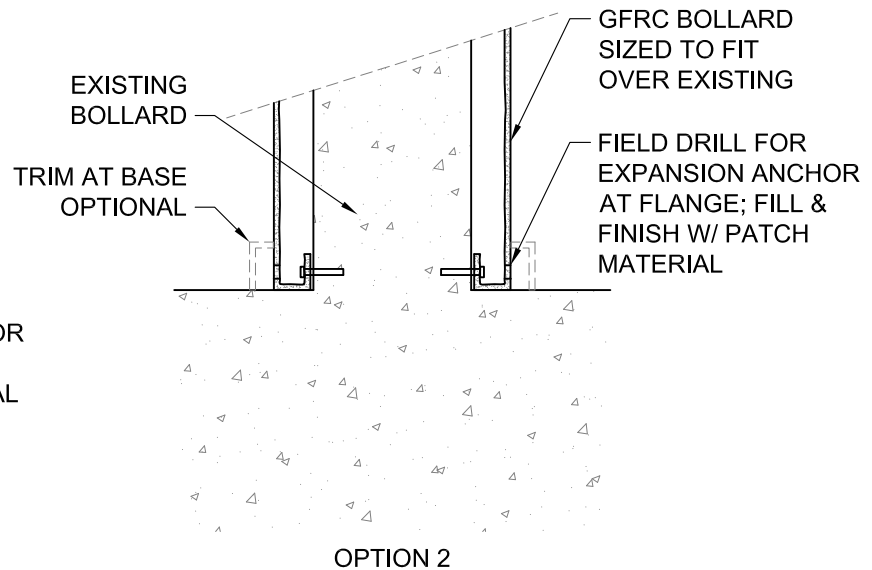
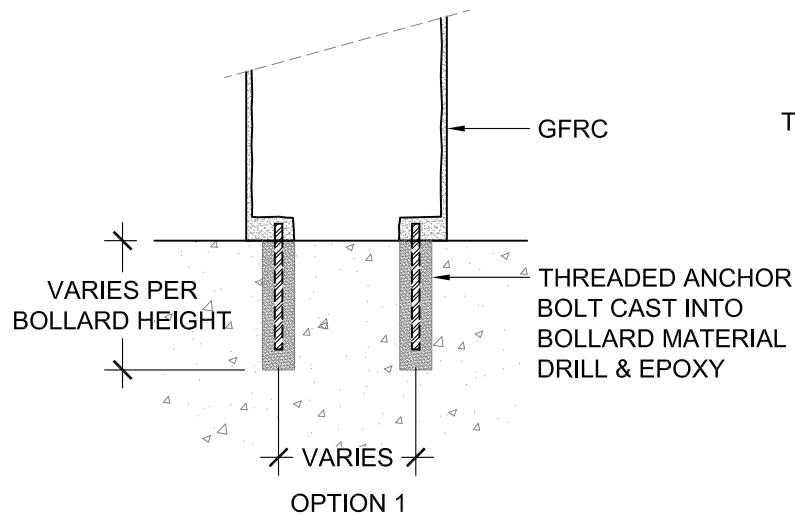
4400 ONEAL STREET, GREENVILLE, TX 75401 PHONE 903.454.9237 FAX 903.454.3642

TITLE: HURON BOLLARD

TYPE DWG: SBO-001

SCALE: AS NOTED

DWG. SHEET: **SBO-001**



ALL RIGHTS RESERVED. THIS DRAWING IS PROPERTY OF THE 4 KIDS INC. AND MAY BE USED ONLY WHEN UTILIZING THE 4 KIDS PRODUCTS. THE 4 KIDS INC. GENERAL TERMS AND CONDITIONS APPLY AND ARE INCORPORATE HERE IN BY REFERENCE. THIS DETAIL MAY NOT APPLY TO ALL CONDITIONS AND CONSTRUCTION SITUATIONS.



CUSTOM THEMED PLAYGROUNDS

4400 ONEAL STREET, GREENVILLE, TX 75401 PHONE 903.454.9237 FAX 903.454.3642

TITLE: BOLLARD

TYPE DWG: MOUNTING

SCALE: AS NOTED

DWG. SHEET: **SBSP-M1**