



# Lorain Illuminated Bollard

---

---



The Lorain Illuminated Bollard is a dual-function post that property owners will love. It's a super durable security barrier that will help divert traffic, mark parking areas, or safeguard pedestrians; however, it also provides street-level lighting that adds another level of safety to any property. The size is fully customizable, and you can use whatever lighting method you prefer--talk with our consultants for detailed lighting information. Installation is hassle-free and the material is low maintenance. This illuminated bollard is an excellent value for properties like schools, campuses, museums, residential developments, and more.

The 4 Kids was born out of a desire to create high quality, one-of-a-kind park shelters and play environments that effectively appeal to children's natural curiosity and imagination.

All of our products are custom designed to work perfectly with your unique playground. Let us know how we can meet your specific needs by contacting our knowledgeable design specialists, today.

#### Contact Us

Ordering from The 4 Kids is easy, initial consultation & quote is free.  
We can also provide you with design ideas and conceptual drawings.  
We want your whole experience with The 4 Kids to be smooth & rewarding.

4400 Oneal St. Greenville, TX 75401

903.454.9237

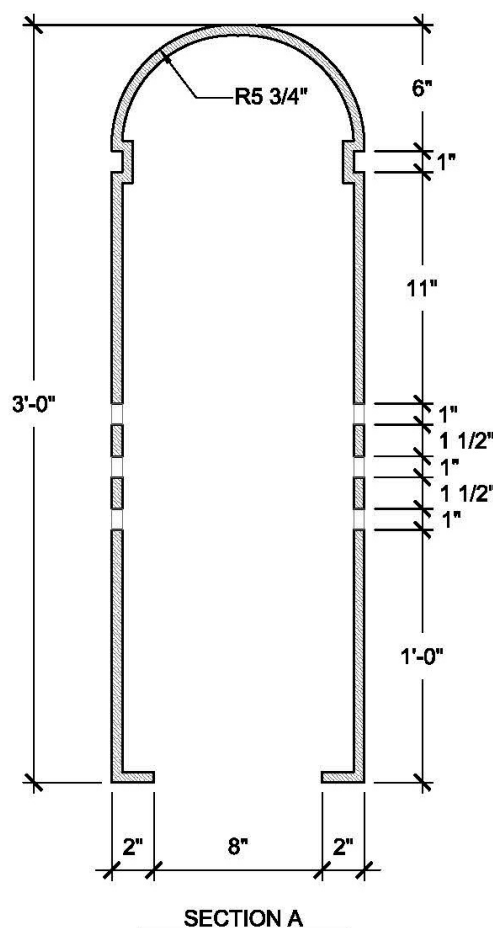
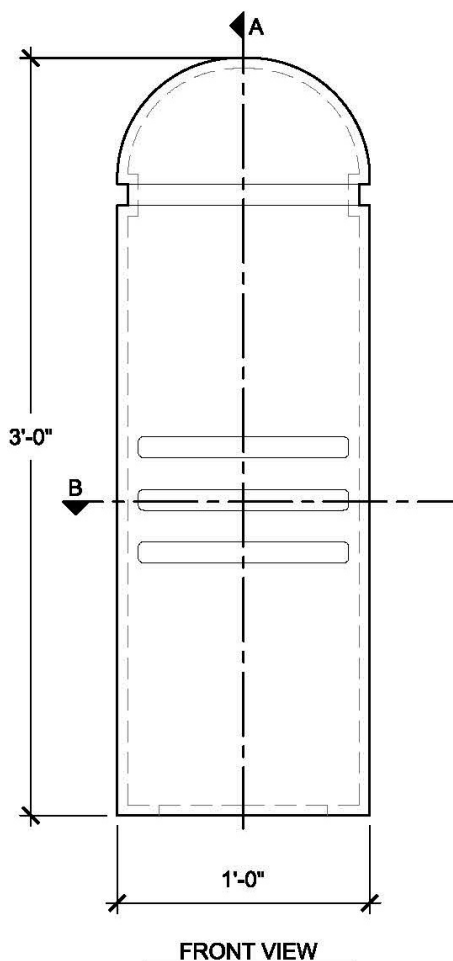
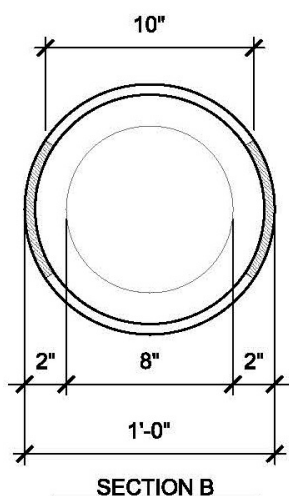
[info@the4kids.com](mailto:info@the4kids.com)

[www.the4kids.com](http://www.the4kids.com)

Let our team of experienced engineers and artists make your playground the destination for fun! We can create an exciting space where children's imaginations can run wild. A playscape where parents can feel secure and create lasting memories with their whole family.

**Key Features**

- Offered in a range of finishes and colors
- Fast turnaround time for many projects
- Free consultation and quote
- We love custom work--chat with a consultant to learn more



**Specifications**

**Age Range:**  
N/A

**Dimensions:**  
12"D x 36"H

**Use Zone:**  
N/A

**Mounting Options:**  
See Typical Installation Details

**SIZE CHART**

NAME	HEIGHT	WIDTH
SBOP 027.1	2'-0"	0'-8"
SBOP 027.2	2'-6"	0'-10"
SBOP 027.3	3'-0"	1'-0"
SBOP 027.4	3'-6"	1'-2"
SBOP 027.5	4'-0"	1'-4"

**Contact Us**

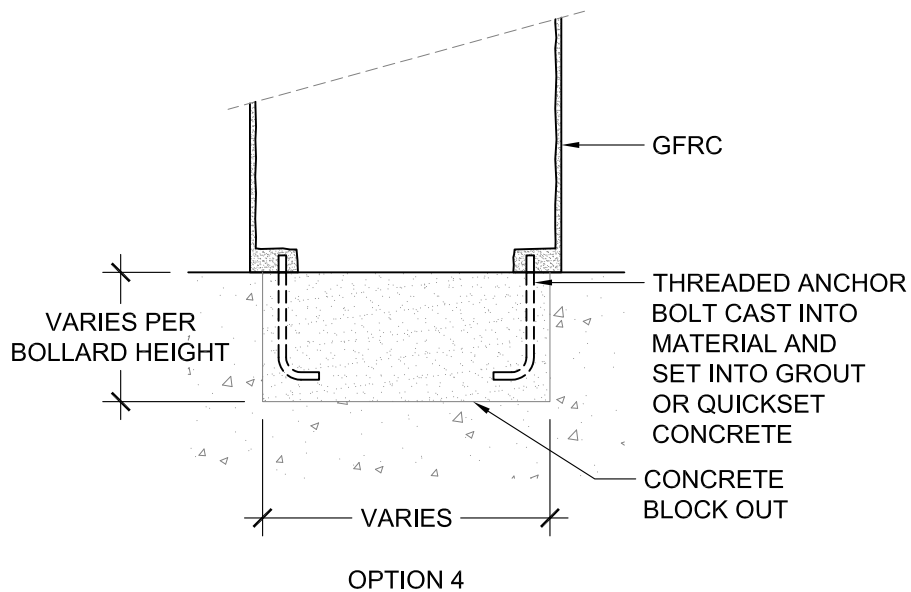
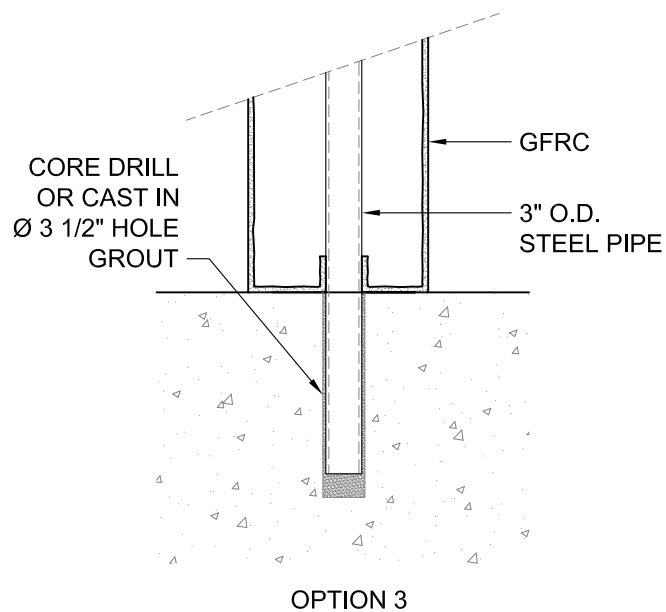
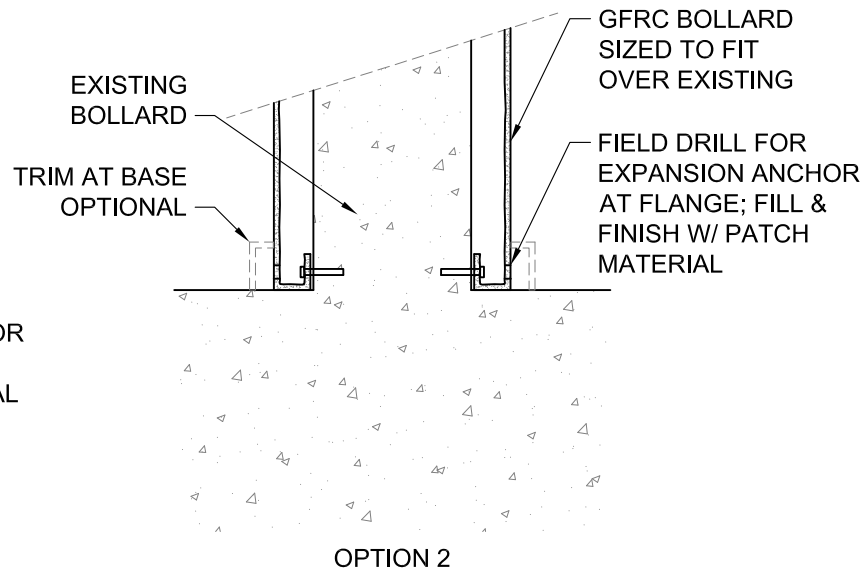
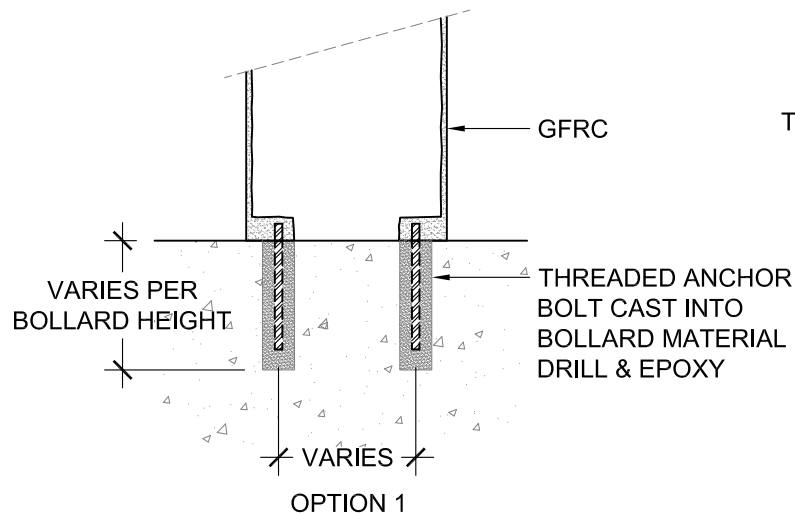
Ordering from The 4 Kids is easy, initial consultation & quote is free. We can also provide you with design ideas and conceptual drawings. We want your whole experience with The 4 Kids to be smooth & rewarding.

4400 Oneal St. Greenville, TX 75401

903.454.9237

info@the4kids.com

www.the4kids.com



ALL RIGHTS RESERVED. THIS DRAWING IS PROPERTY OF THE 4 KIDS INC. AND MAY BE USED ONLY WHEN UTILIZING THE 4 KIDS PRODUCTS. THE 4 KIDS INC. GENERAL TERMS AND CONDITIONS APPLY AND ARE INCORPORATE HERE IN BY REFERENCE. THIS DETAIL MAY NOT APPLY TO ALL CONDITIONS AND CONSTRUCTION SITUATIONS.



**CUSTOM THEMED PLAYGROUNDS**

4400 ONEAL STREET, GREENVILLE, TX 75401 PHONE 903.454.9237 FAX 903.454.3642

TITLE: BOLLARD

TYPE DWG: MOUNTING

SCALE: AS NOTED

DWG. SHEET: **SBSP-M1**