



# Portage Bollard

---

---



This security barrier means business without appearing overbearing. The clean, modern lines of the Portage Bollard make this option a wise addition to properties like schools, museums, office or residential buildings, and venues. Like all our security posts, this model is constructed from the highest-quality material, engineered to stay strong in the face of impact and weather. It's available in a range of colors, and our team can also color match for restoration projects. No matter how many barriers you need to safeguard your property or divert traffic, the Portage Bollard will get the job done.

The 4 Kids was born out of a desire to create high quality, one-of-a-kind park shelters and play environments that effectively appeal to children's natural curiosity and imagination.

All of our products are custom designed to work perfectly with your unique playground. Let us know how we can meet your specific needs by contacting our knowledgeable design specialists, today.

## Contact Us

Ordering from The 4 Kids is easy, initial consultation & quote is free.  
We can also provide you with design ideas and conceptual drawings.  
We want your whole experience with The 4 Kids to be smooth & rewarding.

4400 Oneal St. Greenville, TX 75401

903.454.9237

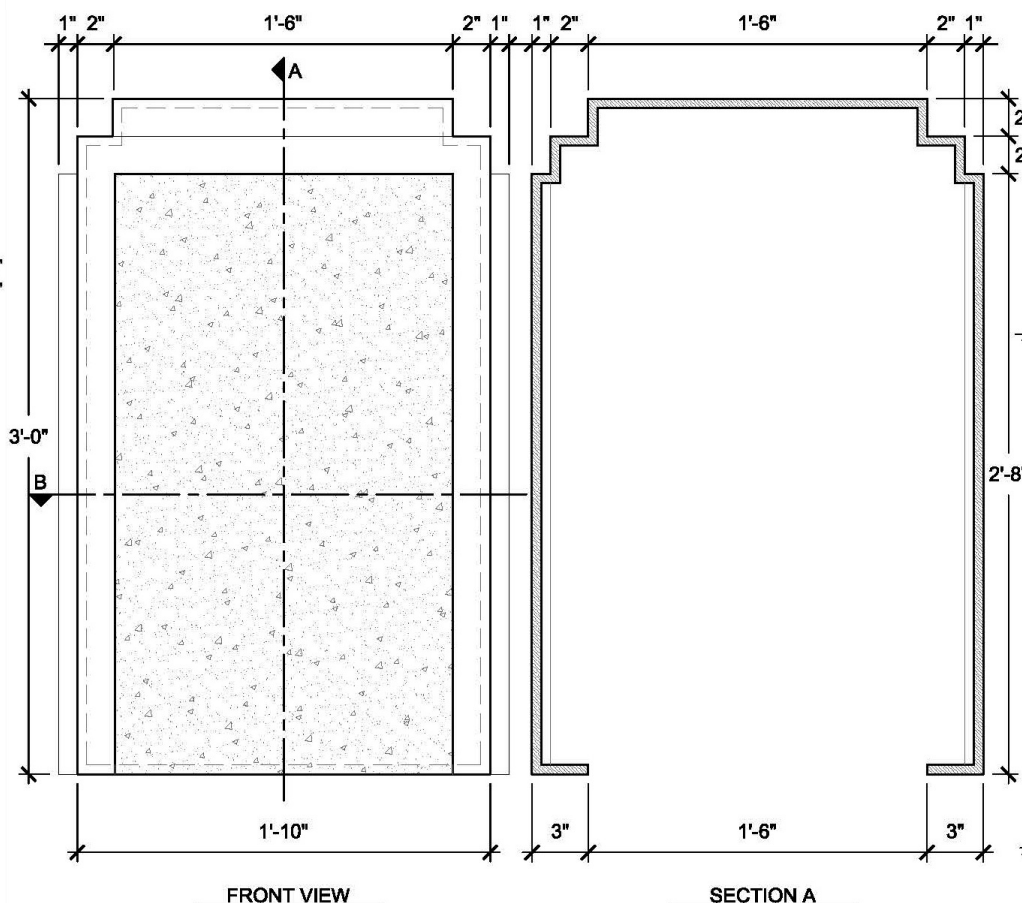
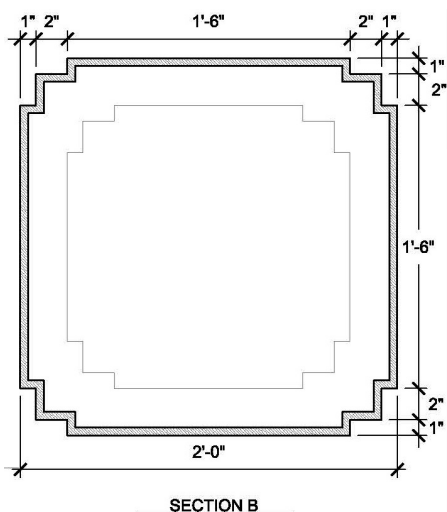
[info@the4kids.com](mailto:info@the4kids.com)

[www.the4kids.com](http://www.the4kids.com)

Let our team of experienced engineers and artists make your playground the destination for fun! We can create an exciting space where children's imaginations can run wild. A playscape where parents can feel secure and create lasting memories with their whole family.

**Key Features**

- Fully customizable size
- Several available finishes, including concrete (shown) and stone
- Part of our extensive line of custom security posts
- Friendly team with 30+ years of architectural products experience
- No-cost, no-obligation project quote
- Satisfaction guaranteed



**Specifications**

**Age Range:**  
N/A

**Dimensions:**  
24"L x 24"W x 36"H

**Use Zone:**  
N/A

**Mounting Options:**  
See Typical  
Installation Details

**SIZE CHART**

NAME	HEIGHT	WIDTH
SBOP 031.1	2'-0"	1'-3"
SBOP 031.2	2'-6"	1'-7"
SBOP 031.3	3'-0"	1'-10"
SBOP 031.4	3'-6"	2'-2"
SBOP 031.5	4'-0"	2'-6"

**Contact Us**

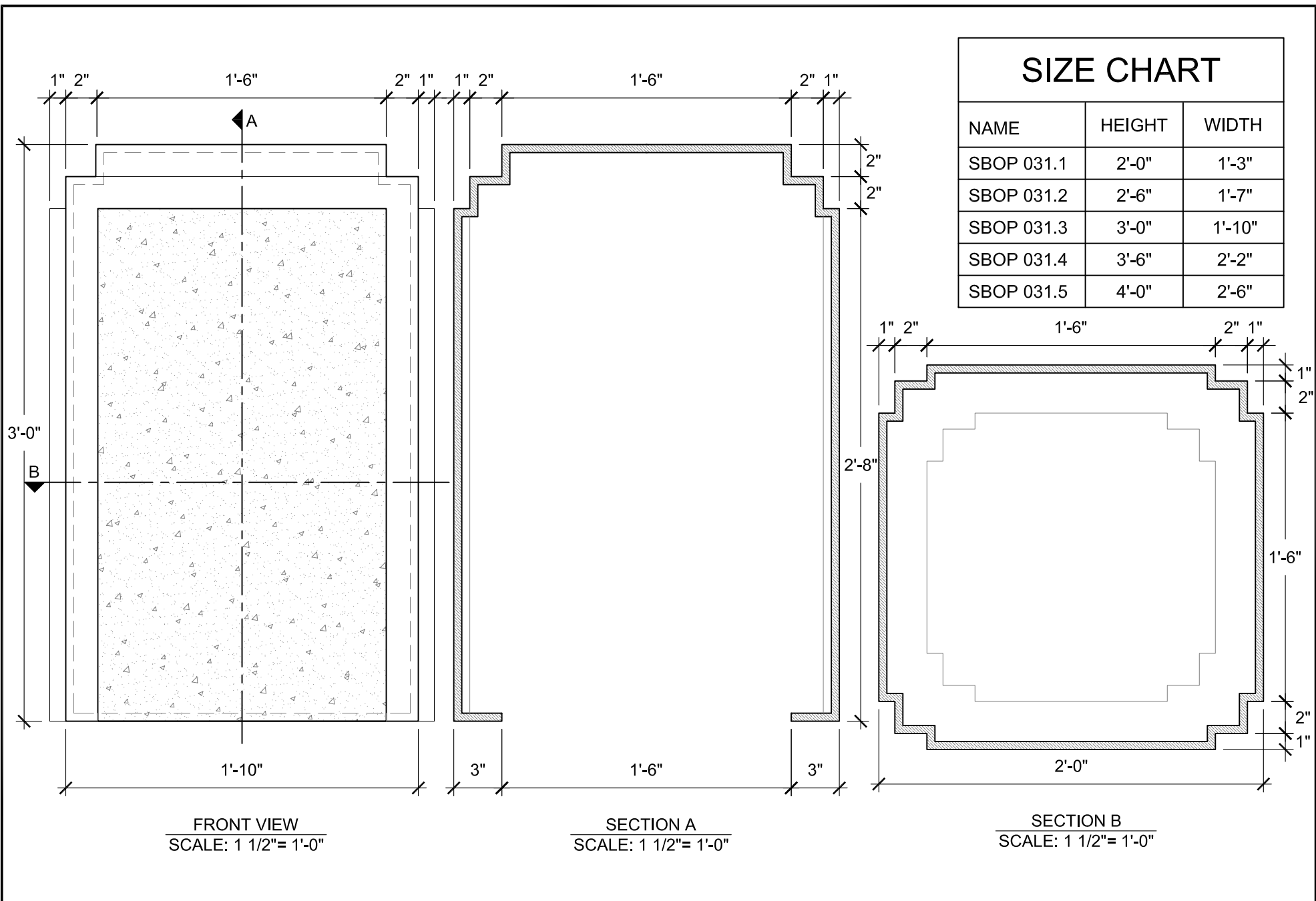
Ordering from The 4 Kids is easy, initial consultation & quote is free. We can also provide you with design ideas and conceptual drawings. We want your whole experience with The 4 Kids to be smooth & rewarding.

4400 Oneal St. Greenville, TX 75401

903.454.9237

info@the4kids.com

www.the4kids.com



ALL RIGHTS RESERVED. THIS DRAWING IS PROPERTY OF THE 4 KIDS INC. AND MAY BE USED ONLY WHEN UTILIZING THE 4 KIDS PRODUCTS. THE 4 KIDS INC. GENERAL TERMS AND CONDITIONS APPLY AND ARE INCORPORATE HERE IN BY REFERENCE. THIS DETAIL MAY NOT APPLY TO ALL CONDITIONS AND CONSTRUCTION SITUATIONS.



**CUSTOM THEMED PLAYGROUNDS**

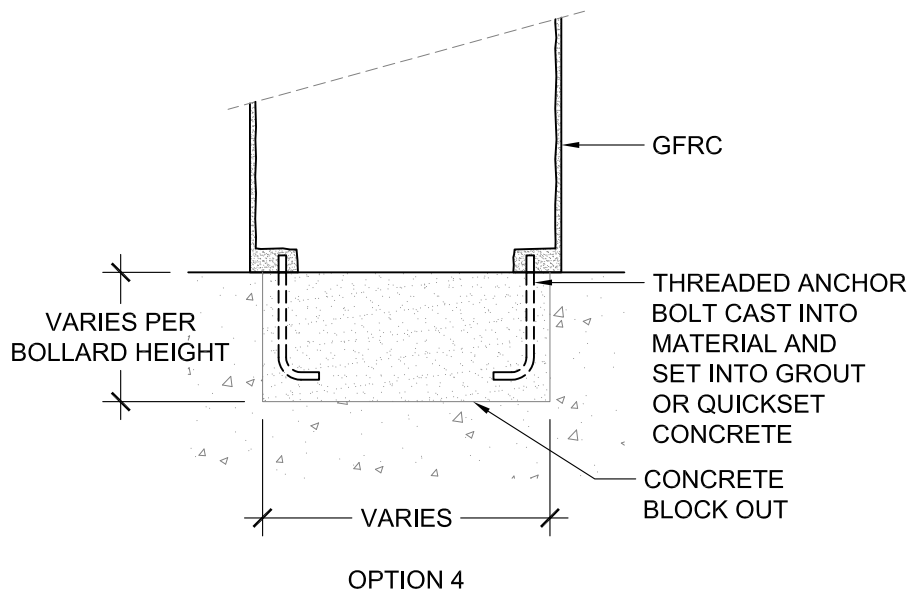
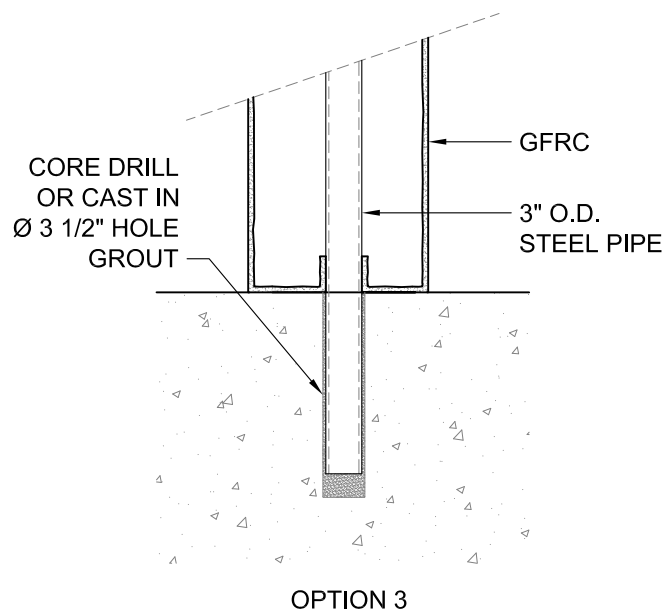
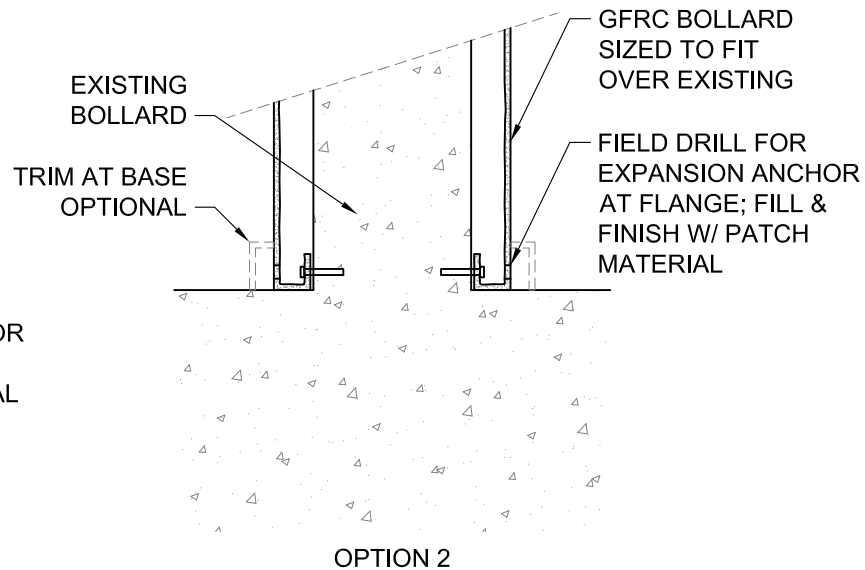
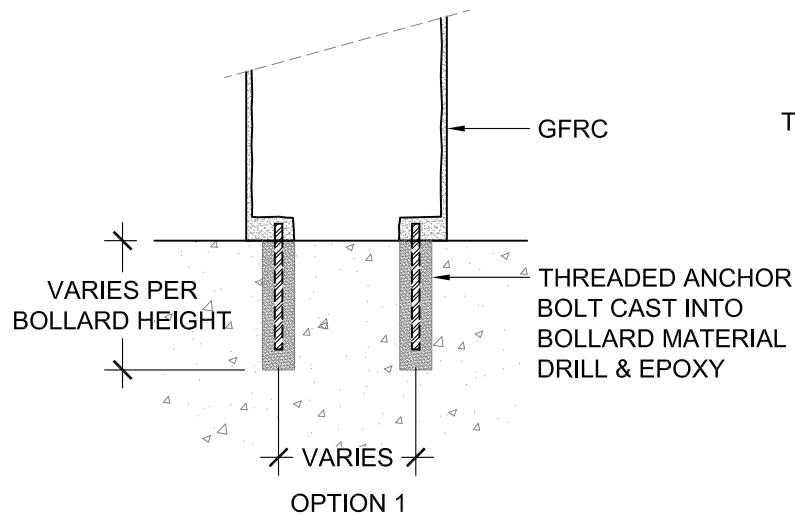
4400 ONEAL STREET, GREENVILLE, TX 75401 PHONE 903.454.9237 FAX 903.454.3642

TITLE: PORTAGE BOLLARD

TYPE DWG: BOLLARD

SCALE: AS NOTED

DWG. SHEET: **SBOP-031**



ALL RIGHTS RESERVED. THIS DRAWING IS PROPERTY OF THE 4 KIDS INC. AND MAY BE USED ONLY WHEN UTILIZING THE 4 KIDS PRODUCTS. THE 4 KIDS INC. GENERAL TERMS AND CONDITIONS APPLY AND ARE INCORPORATE HERE IN BY REFERENCE. THIS DETAIL MAY NOT APPLY TO ALL CONDITIONS AND CONSTRUCTION SITUATIONS.



**CUSTOM THEMED PLAYGROUNDS**

4400 ONEAL STREET, GREENVILLE, TX 75401 PHONE 903.454.9237 FAX 903.454.3642

TITLE: BOLLARD

TYPE DWG: MOUNTING

SCALE: AS NOTED

DWG. SHEET: **SBSP-M1**