

# Amherst Bollard

---

---



The classic Amherst Bollard is the perfect marriage of form and function. Our team crafted this security post with a clean look that fits well in many landscapes and streetscapes -- ideal for public or private gardens, campuses, hospitals, arenas, and more. We've designed this bollard so the size is fully customizable, making it easy to create as much visual impact as you like. But don't let the graceful appearance fool you. This custom bollard is sturdy enough to withstand impact and harsh weather conditions. It's shown here in concrete finish, but we offer a variety of finishes and colors to suit any property.

The 4 Kids was born out of a desire to create high quality, one-of-a-kind park shelters and play environments that effectively appeal to children's natural curiosity and imagination.

All of our products are custom designed to work perfectly with your unique playground. Let us know how we can meet your specific needs by contacting our knowledgeable design specialists, today.

## Contact Us

Ordering from The 4 Kids is easy, initial consultation & quote is free.  
We can also provide you with design ideas and conceptual drawings.  
We want your whole experience with The 4 Kids to be smooth & rewarding.

4400 Oneal St. Greenville, TX 75401

903.454.9237

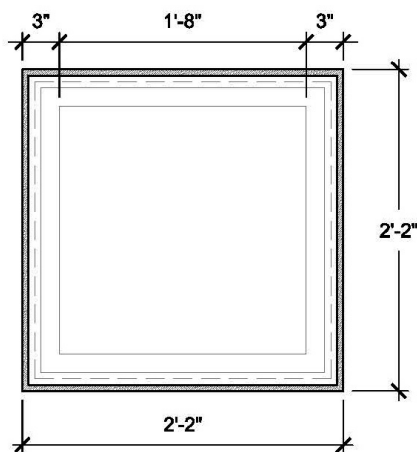
[info@the4kids.com](mailto:info@the4kids.com)

[www.the4kids.com](http://www.the4kids.com)

Let our team of experienced engineers and artists make your playground the destination for fun! We can create an exciting space where children's imaginations can run wild. A playscape where parents can feel secure and create lasting memories with their whole family.

**Key Features**

- Amherst-style sign also available
- Made in America
- Manufacturer-direct prices
- No-cost, no-obligation consultation and quote



SECTION B

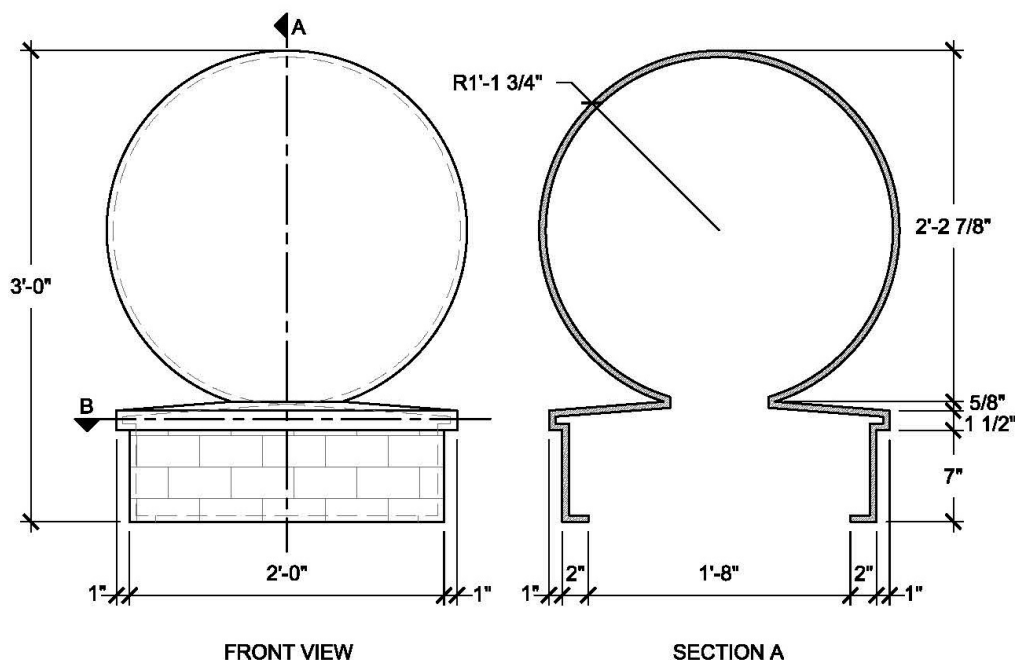
**Specifications**

**Age Range:**  
N/A

**Dimensions:**  
26" L x 26" W x 36" H

**Use Zone:**  
N/A

**Mounting Options:**  
See Typical  
Installation Details



FRONT VIEW

SECTION A

**SIZE CHART**

NAME	HEIGHT	WIDTH
SBOP 033.1	2'-0"	1'-4"
SBOP 033.2	2'-6"	1'-8"
SBOP 033.3	3'-0"	2'-0"
SBOP 033.4	3'-6"	2'-4"
SBOP 033.5	4'-0"	2'-8"

**Contact Us**

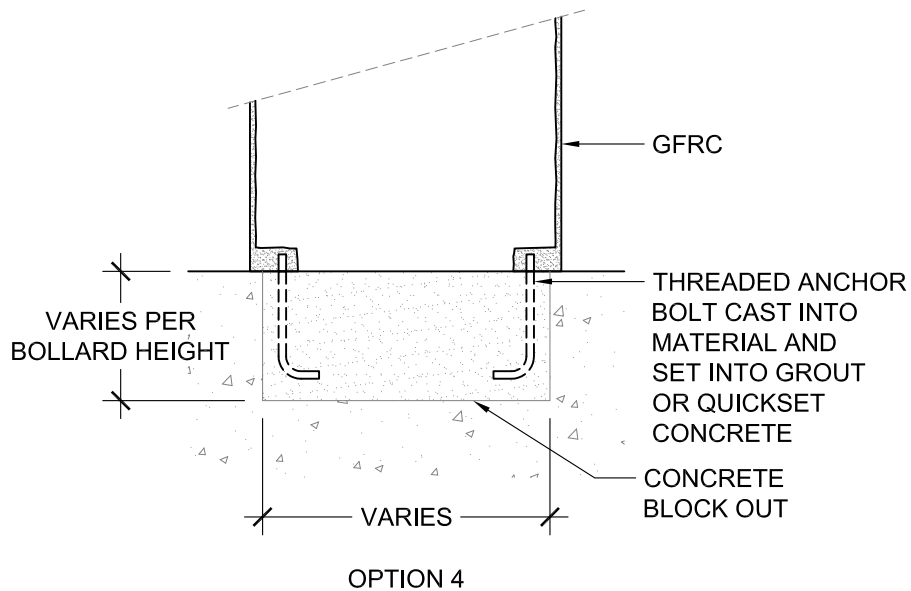
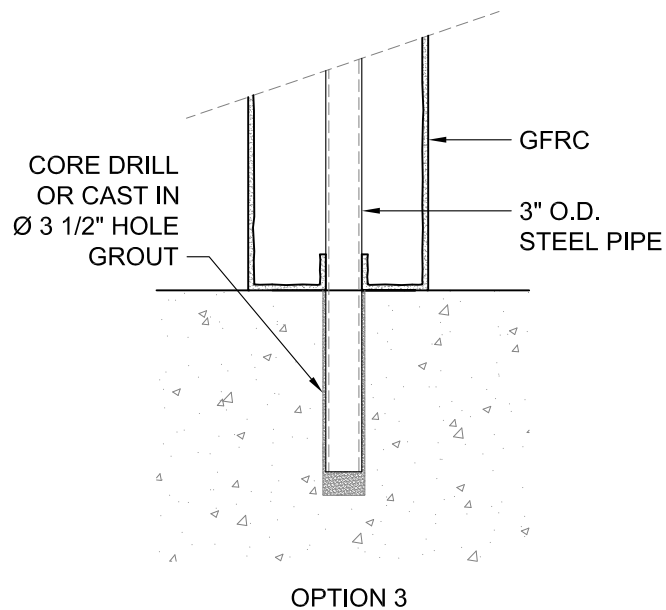
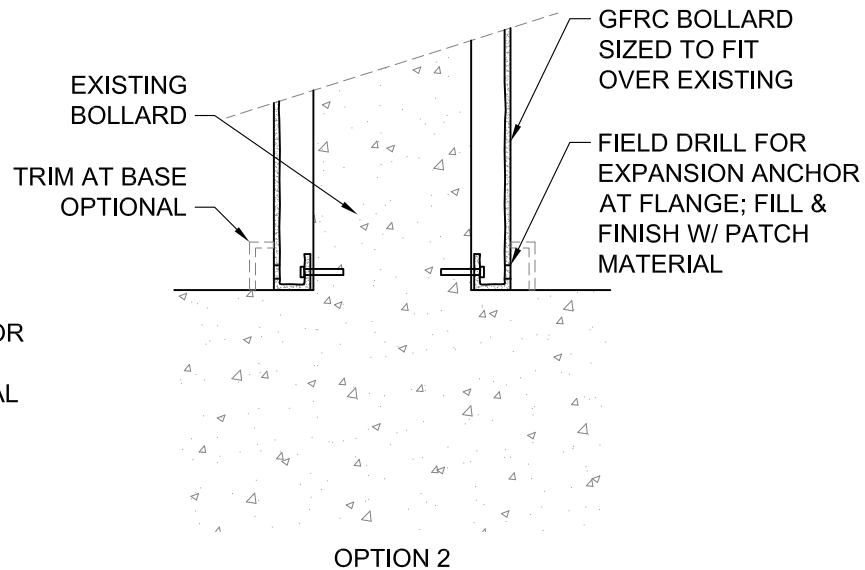
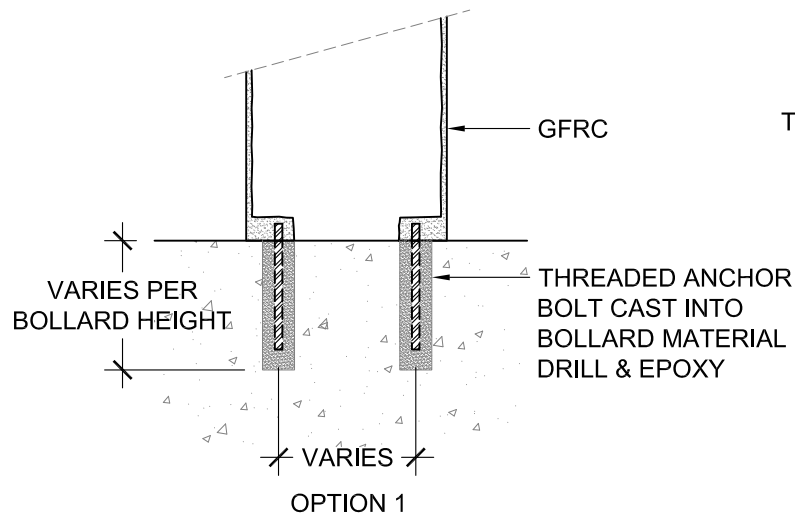
Ordering from The 4 Kids is easy, initial consultation & quote is free. We can also provide you with design ideas and conceptual drawings. We want your whole experience with The 4 Kids to be smooth & rewarding.

4400 Oneal St. Greenville, TX 75401

903.454.9237

info@the4kids.com

www.the4kids.com



ALL RIGHTS RESERVED. THIS DRAWING IS PROPERTY OF THE 4 KIDS INC. AND MAY BE USED ONLY WHEN UTILIZING THE 4 KIDS PRODUCTS. THE 4 KIDS INC. GENERAL TERMS AND CONDITIONS APPLY AND ARE INCORPORATE HERE IN BY REFERENCE. THIS DETAIL MAY NOT APPLY TO ALL CONDITIONS AND CONSTRUCTION SITUATIONS.



**CUSTOM THEMED PLAYGROUNDS**

4400 ONEAL STREET, GREENVILLE, TX 75401 PHONE 903.454.9237 FAX 903.454.3642

TITLE: BOLLARD

TYPE DWG: MOUNTING

SCALE: AS NOTED

DWG. SHEET: **SBSP-M1**