



# Belmont Bollard

---

---



Make a statement without making a fuss with our Belmont Bollard. This is a substantial design that provides needed security while making your streetscape or landscape visually appealing. Our security barriers are crafted from eco-friendly material that requires little maintenance. Plus, we only use material that will maintain its strength and finish for many years -- you can expect it to last as long as pre-made concrete. Install the Belmont Bollard anywhere you want to add security and beauty, such as schools, hospitals, museums, amusement parks, and more.

The 4 Kids was born out of a desire to create high quality, one-of-a-kind park shelters and play environments that effectively appeal to children's natural curiosity and imagination.

All of our products are custom designed to work perfectly with your unique playground. Let us know how we can meet your specific needs by contacting our knowledgeable design specialists, today.

## Contact Us

Ordering from The 4 Kids is easy, initial consultation & quote is free.  
We can also provide you with design ideas and conceptual drawings.  
We want your whole experience with The 4 Kids to be smooth & rewarding.

4400 Oneal St. Greenville, TX 75401

903.454.9237

[info@the4kids.com](mailto:info@the4kids.com)

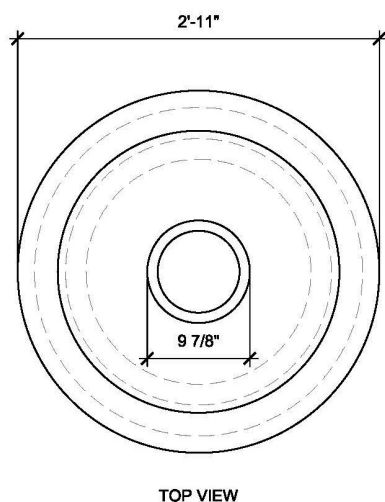
[www.the4kids.com](http://www.the4kids.com)

## Why Use Us?

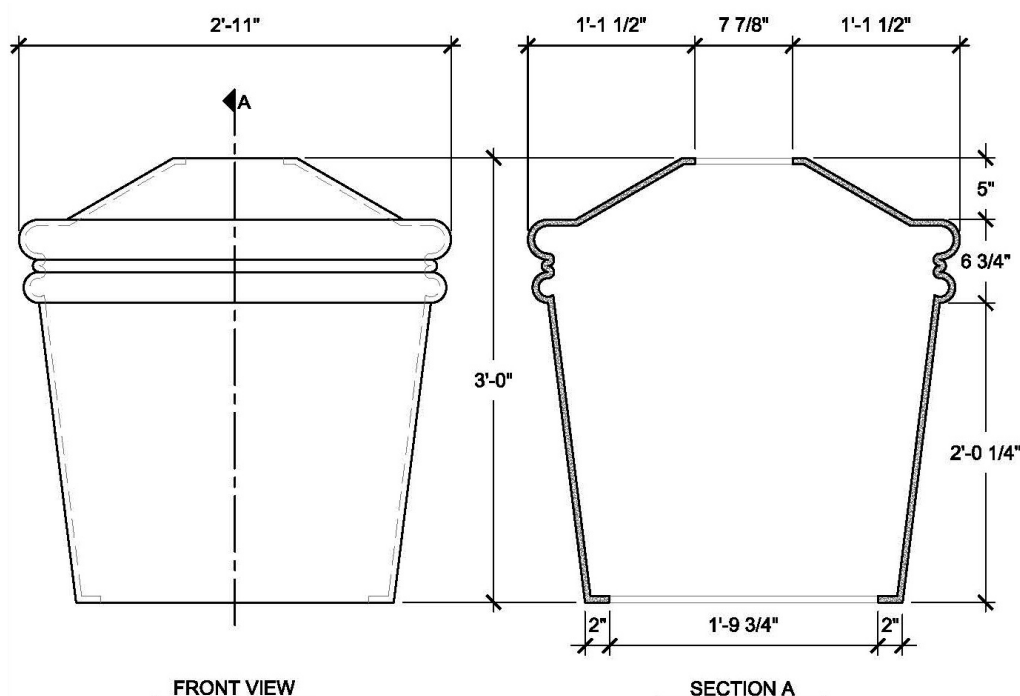
Let our team of experienced engineers and artists make your playground the destination for fun! We can create an exciting space where children's imaginations can run wild. A playscape where parents can feel secure and create lasting memories with their whole family.

## Key Features

- Fully customizable size
- Wide range of color options
- Trash receptacle and planter options available
- Project quotes are no-hassle and no-cost
- We love custom projects--talk with a consultant to learn more



TOP VIEW



FRONT VIEW

SECTION A

## Specifications

**Age Range:**  
N/A

**Dimensions:**  
35\"D x 36\"H

**Use Zone:**  
N/A

**Mounting Options:**  
See Typical  
Installation Details

## SIZE CHART

NAME	HEIGHT	WIDTH
SBOP 086.1	2'-0"	1'-11"
SBOP 086.2	2'-6"	2'-5"
SBOP 086.3	3'-0"	2'-11"
SBOP 086.4	3'-6"	3'-5"
SBOP 086.5	4'-0"	3'-11"

## Contact Us

Ordering from The 4 Kids is easy, initial consultation & quote is free. We can also provide you with design ideas and conceptual drawings. We want your whole experience with The 4 Kids to be smooth & rewarding.

4400 Oneal St. Greenville, TX 75401

903.454.9237

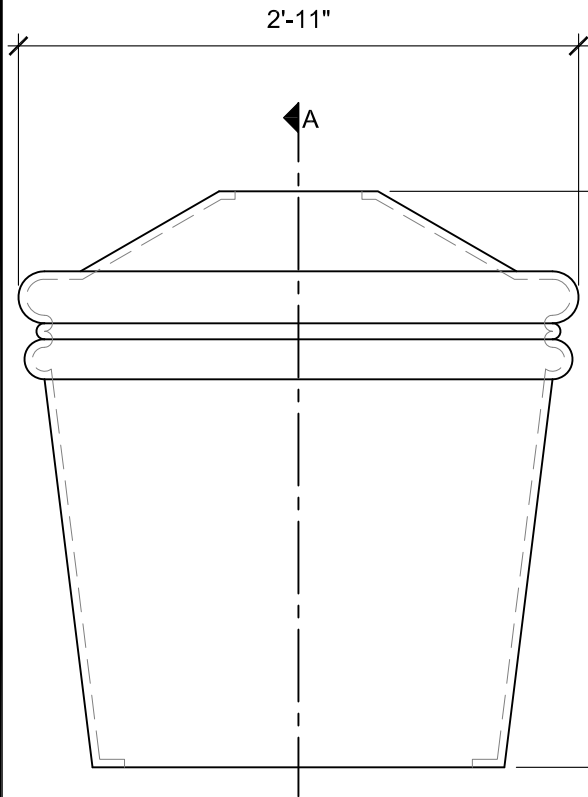
info@the4kids.com

www.the4kids.com

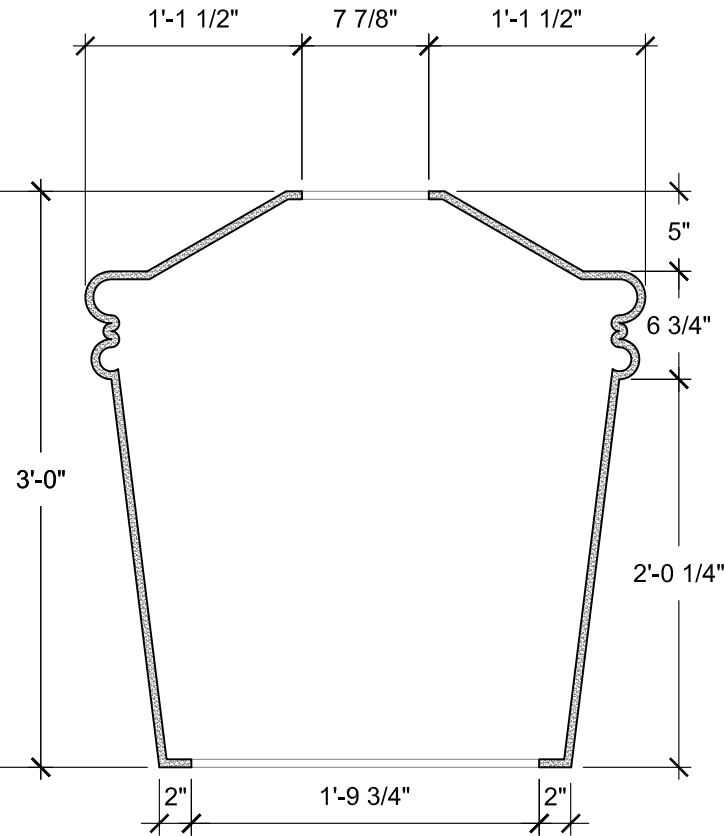
© 2014 The 4 Kids Inc. All rights reserved.

# SIZE CHART

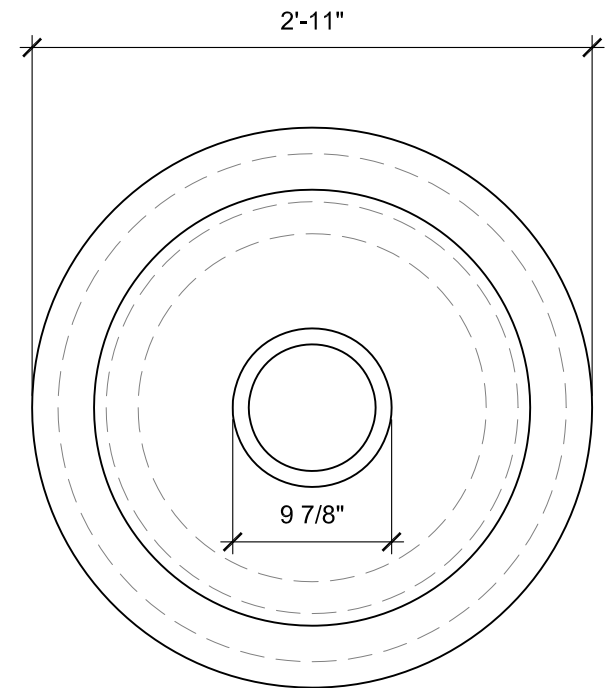
NAME	HEIGHT	WIDTH
SBOP 086.1	2'-0"	1'-11"
SBOP 086.2	2'-6"	2'-5"
SBOP 086.3	3'-0"	2'-11"
SBOP 086.4	3'-6"	3'-5"
SBOP 086.5	4'-0"	3'-11"



FRONT VIEW  
SCALE: 1"= 1'-0"



SECTION A  
SCALE: 1"= 1'-0"



TOP VIEW  
SCALE: 1"= 1'-0"

ALL RIGHTS RESERVED. THIS DRAWING IS PROPERTY OF THE 4 KIDS INC. AND MAY BE USED ONLY WHEN UTILIZING THE 4 KIDS PRODUCTS. THE 4 KIDS INC. GENERAL TERMS AND CONDITIONS APPLY AND ARE INCORPORATE HERE IN BY REFERENCE. THIS DETAIL MAY NOT APPLY TO ALL CONDITIONS AND CONSTRUCTION SITUATIONS.



**CUSTOM THEMED PLAYGROUNDS**

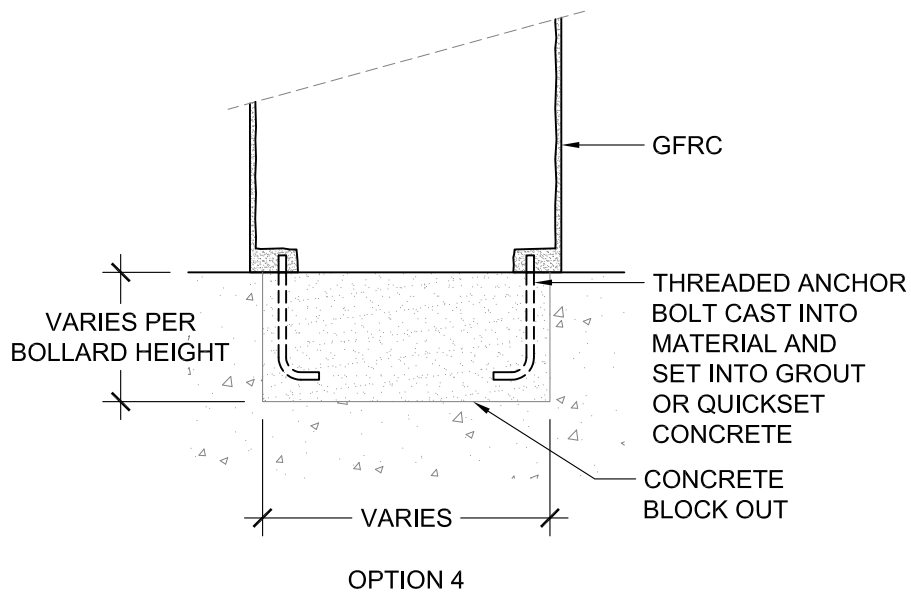
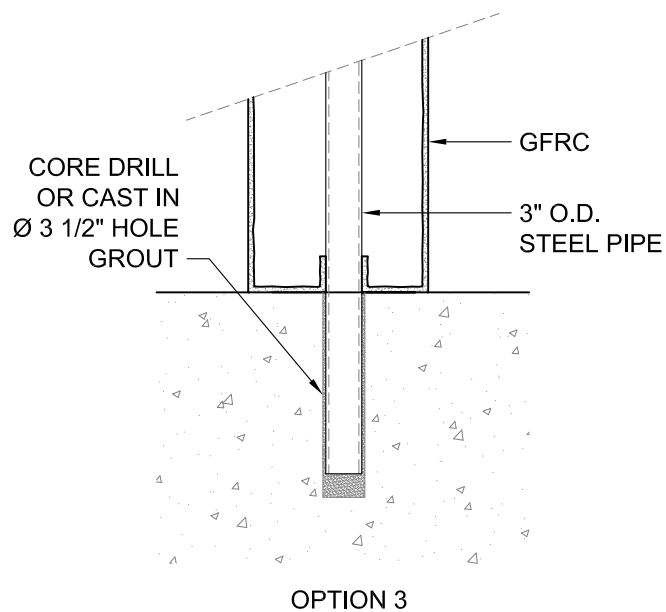
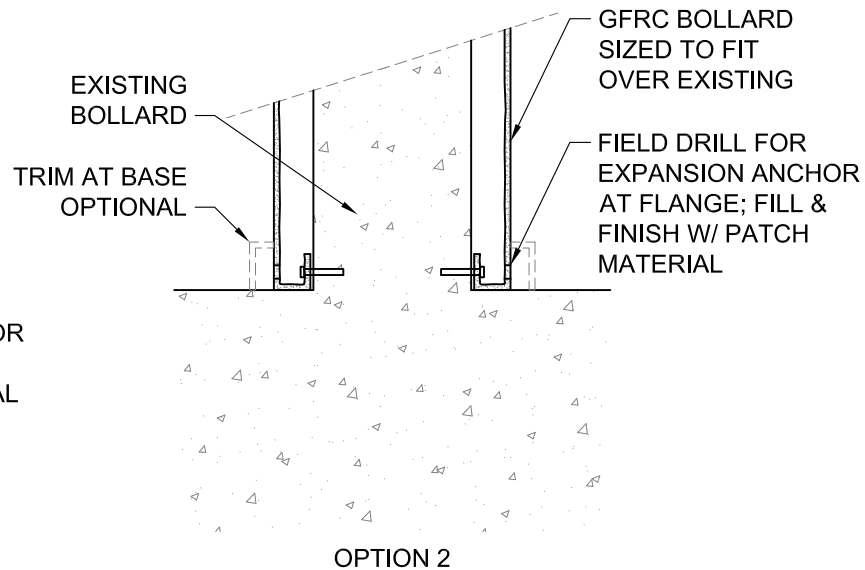
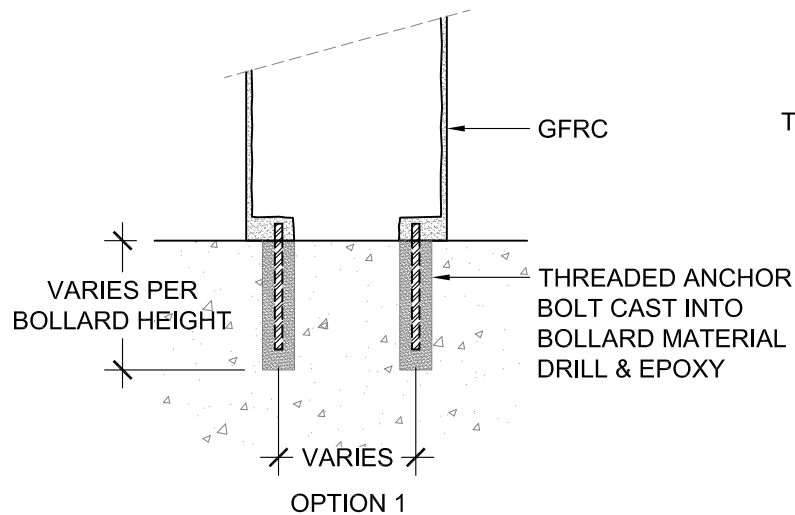
4400 ONEAL STREET, GREENVILLE, TX 75401 PHONE 903.454.9237 FAX 903.454.3642

TITLE: BELMONT BOLLARD

TYPE DWG: BOLLARD

SCALE: AS NOTED

DWG. SHEET: **SBOP-086**



ALL RIGHTS RESERVED. THIS DRAWING IS PROPERTY OF THE 4 KIDS INC. AND MAY BE USED ONLY WHEN UTILIZING THE 4 KIDS PRODUCTS. THE 4 KIDS INC. GENERAL TERMS AND CONDITIONS APPLY AND ARE INCORPORATE HERE IN BY REFERENCE. THIS DETAIL MAY NOT APPLY TO ALL CONDITIONS AND CONSTRUCTION SITUATIONS.



**CUSTOM THEMED PLAYGROUNDS**

4400 ONEAL STREET, GREENVILLE, TX 75401 PHONE 903.454.9237 FAX 903.454.3642

TITLE: BOLLARD

TYPE DWG: MOUNTING

SCALE: AS NOTED

DWG. SHEET: **SBSP-M1**