

Jackson Bollard Planter



This piece might feature that classic planter shape but it's anything but ordinary. The Jackson Bollard Planter functions as a place to display greenery, but it's also a secure barrier that helps protect entrances, divert traffic, and safeguard pedestrians, patrons, or employees. The 4 Kids designed this bollard using materials like glass fiber reinforced concrete (GFRC), an architectural composite that has a higher tensile strength than steel. It's available in many colors, so you can create the exact look and feel needed for your hospital, office or residential building, library, or resort.

The 4 Kids was born out of a desire to create high quality, one-of-a-kind park shelters and play environments that effectively appeal to children's natural curiosity and imagination.

All of our products are custom designed to work perfectly with your unique playground. Let us know how we can meet your specific needs by contacting our knowledgeable design specialists, today.

Contact Us

Ordering from The 4 Kids is easy, initial consultation & quote is free.
We can also provide you with design ideas and conceptual drawings.
We want your whole experience with The 4 Kids to be smooth & rewarding.

4400 Oneal St. Greenville, TX 75401

903.454.9237

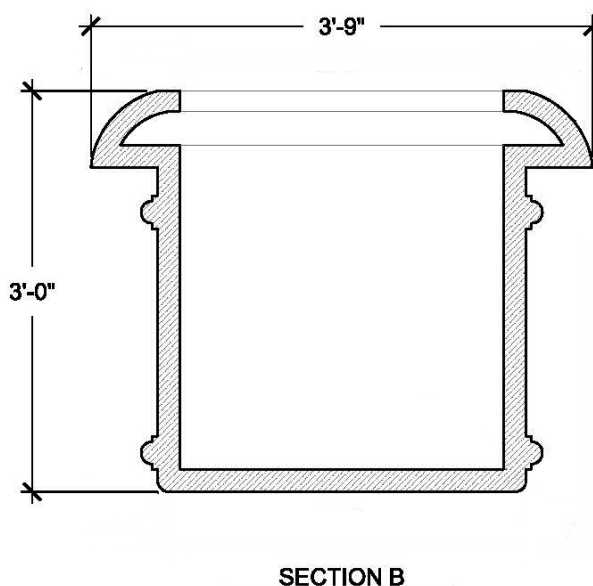
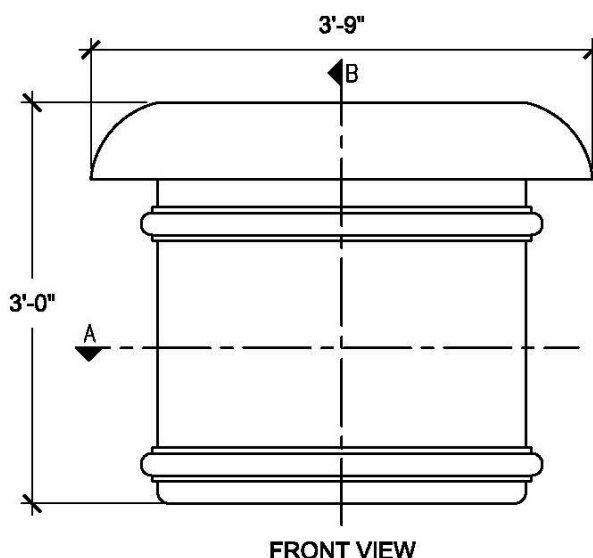
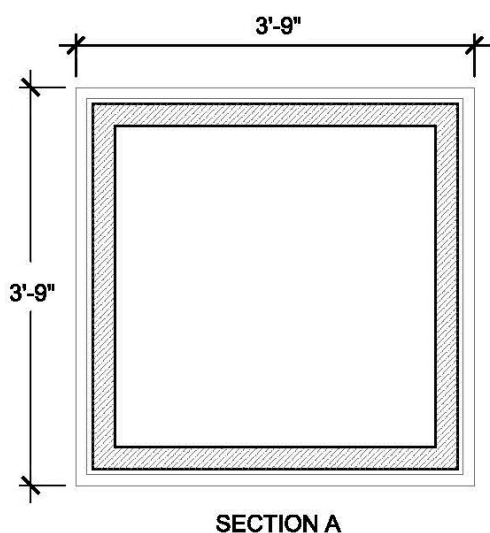
info@the4kids.com

www.the4kids.com

Let our team of experienced engineers and artists make your playground the destination for fun! We can create an exciting space where children's imaginations can run wild. A playscape where parents can feel secure and create lasting memories with their whole family.

Key Features

- Fully customizable size
we do it all, big or small
- Choose from finishes like concrete (pictured) and stone
- Quick turnaround time for many projects
- Experts in site amenities ready to provide a free quote



Specifications

Use Zone:
N/A

Mounting Options:
Installation Options

SIZE CHART

NAME	HEIGHT	WIDTH
SBOP 137.1	2'-0"	2'-5"
SBOP 137.2	2'-6"	3'-1"
SBOP 137.3	3'-0"	3'-9"
SBOP 137.4	3'-6"	4'-4"
SBOP 137.5	4'-0"	5'-0"

Contact Us

Ordering from The 4 Kids is easy, initial consultation & quote is free. We can also provide you with design ideas and conceptual drawings. We want your whole experience with The 4 Kids to be smooth & rewarding.

4400 Oneal St. Greenville, TX 75401

903.454.9237

info@the4kids.com

www.the4kids.com