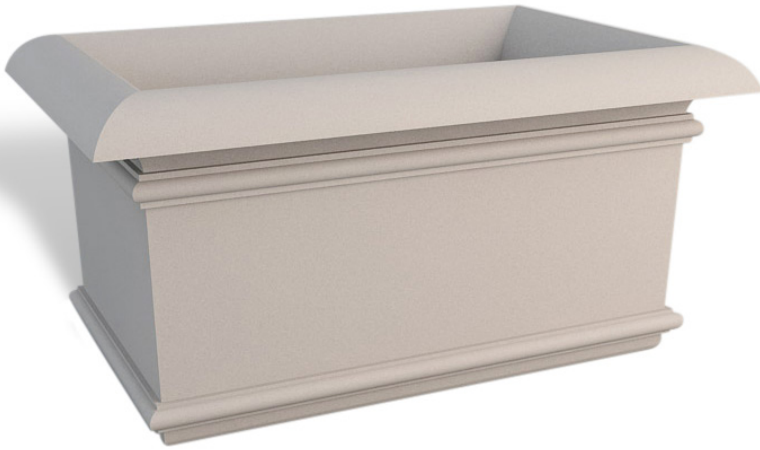


Jefferson Bollard Planter



The Jefferson Bollard Planter delivers a classic design that's perfect for showing off flowers, greens, and other decorative accents. It's crafted with a trough-style look and simple lines that make it fantastic for office buildings, college campuses, schools, museums, and more. We use architectural - grade material that will give you a long service life, making the Jefferson Bollard Planter a smart investment. This planter is resistant to weather, corrosion, and impact. Our team also incorporates UV stable pigments so the finish lasts for many years.

The 4 Kids was born out of a desire to create high quality, one-of-a-kind park shelters and play environments that effectively appeal to children's natural curiosity and imagination.

All of our products are custom designed to work perfectly with your unique playground. Let us know how we can meet your specific needs by contacting our knowledgeable design specialists, today.

Contact Us

Ordering from The 4 Kids is easy, initial consultation & quote is free.
We can also provide you with design ideas and conceptual drawings.
We want your whole experience with The 4 Kids to be smooth & rewarding.

4400 Oneal St. Greenville, TX 75401

903.454.9237

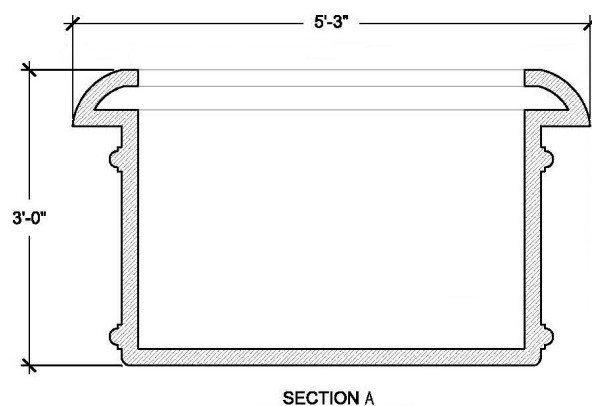
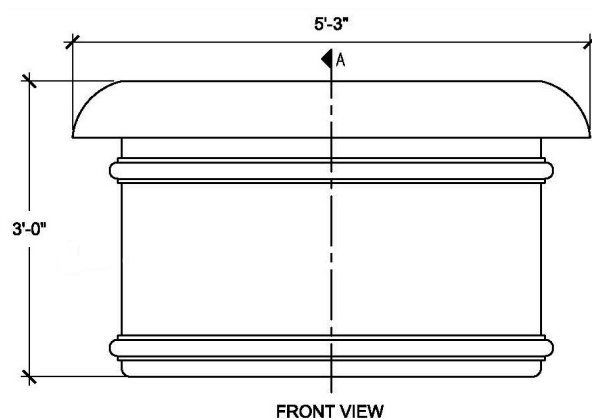
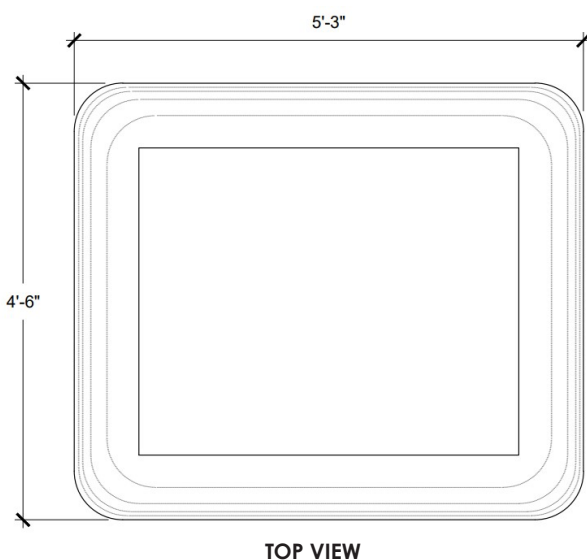
info@the4kids.com

www.the4kids.com

Let our team of experienced engineers and artists make your playground the destination for fun! We can create an exciting space where children's imaginations can run wild. A playscape where parents can feel secure and create lasting memories with their whole family.

Key Features

- Size is fully customizable
- Available in finishes such as stone or concrete (pictured)
- Many additional bollard planter styles offered
- Friendly customer service ready to give you a no-cost quote
- We love designing custom bollards ask a consultant for details



Specifications

Use Zone:
N/A

Mounting Options:
Installation Options

SIZE CHART

NAME	HEIGHT	WIDTH
SBSP 138.1	2'-0"	3'-6"
SBSP 138.2	2'-6"	4'-4"
SBSP 138.3	3'-0"	5'-3"
SBSP 138.4	3'-6"	6'-1"
SBSP 138.5	4'-0"	7'-0"

Contact Us

Ordering from The 4 Kids is easy, initial consultation & quote is free. We can also provide you with design ideas and conceptual drawings. We want your whole experience with The 4 Kids to be smooth & rewarding.

4400 Oneal St. Greenville, TX 75401

903.454.9237

info@the4kids.com

www.the4kids.com