

Logan Bollard Planter



A simple design allows greenery to shine in the Logan Bollard Planter. The 4 Kids designed this decorative bollard to showcase the flowers, plants, and other decorative accents that make public spaces friendlier and more livable. Its gently curving lines look at home at apartment buildings, public gardens, arboretums, hospitals, resorts, and more. Like all our security planters, this one's crafted from architectural-quality material that is strong enough to withstand impact but beautiful enough to blend with any landscape. We offer it in a wide variety of colors and can even match existing colors on your site.

The 4 Kids was born out of a desire to create high quality, one-of-a-kind park shelters and play environments that effectively appeal to children's natural curiosity and imagination.

All of our products are custom designed to work perfectly with your unique playground. Let us know how we can meet your specific needs by contacting our knowledgeable design specialists, today.

Contact Us

Ordering from The 4 Kids is easy, initial consultation & quote is free.
We can also provide you with design ideas and conceptual drawings.
We want your whole experience with The 4 Kids to be smooth & rewarding.

4400 Oneal St. Greenville, TX 75401

903.454.9237

info@the4kids.com

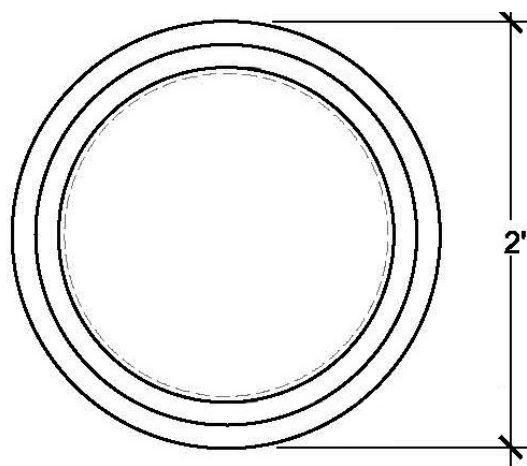
www.the4kids.com

Why Use Us?

Let our team of experienced engineers and artists make your playground the destination for fun! We can create an exciting space where children's imaginations can run wild. A playscape where parents can feel secure and create lasting memories with their whole family.

Key Features

- Size will be customized to meet your needs
- Available finishes include concrete and stone
- 100+ bollard styles from which to choose
- Satisfaction guaranteed
- Friendly team ready to provide free quote

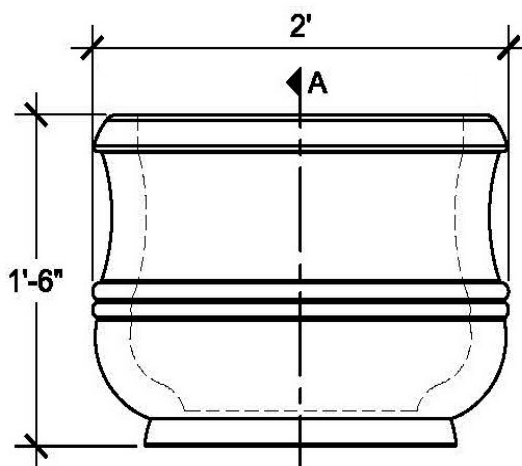


TOP VIEW

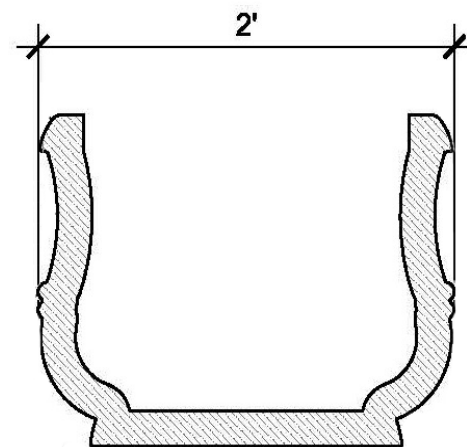
Specifications

Use Zone:
N/A

Mounting Options:
Installation Options



FRONT VIEW



SECTION A

SIZE CHART

NAME	HEIGHT	WIDTH
SBOP 141.1	1'-6"	2'-0"
SBOP 141.2	2'-0"	2'-8"
SBOP 141.3	2'-6"	3'-4"
SBOP 141.4	3'-0"	4'-0"
SBOP 141.5	3'-6"	4'-8"

Contact Us

Ordering from The 4 Kids is easy, initial consultation & quote is free. We can also provide you with design ideas and conceptual drawings. We want your whole experience with The 4 Kids to be smooth & rewarding.

4400 Oneal St. Greenville, TX 75401

903.454.9237

info@the4kids.com

www.the4kids.com

© 2014 The 4 Kids Inc. All rights reserved.