

# Lucas Bollard Planter

---

---



The Lucas Bollard Planter is a curvy amenity that adds a touch of va-va-voom to any property. We'll customize the size to meet your needs, no matter how big or small your needs are. Our planters are made from a glass fiber reinforced architectural composite that stays strong in virtually any weather condition. This is a substantially designed bollard that will help safeguard pedestrians, vehicles, or buildings. The Lucas Bollard Planter is an attractive piece that adds value to any residential or office complex, botanical garden, resort, or attraction.

The 4 Kids was born out of a desire to create high quality, one-of-a-kind park shelters and play environments that effectively appeal to children's natural curiosity and imagination.

All of our products are custom designed to work perfectly with your unique playground. Let us know how we can meet your specific needs by contacting our knowledgeable design specialists, today.

## Contact Us

Ordering from The 4 Kids is easy, initial consultation & quote is free.  
We can also provide you with design ideas and conceptual drawings.  
We want your whole experience with The 4 Kids to be smooth & rewarding.

4400 Oneal St. Greenville, TX 75401

903.454.9237

[info@the4kids.com](mailto:info@the4kids.com)

[www.the4kids.com](http://www.the4kids.com)

## Why Use Us?

Let our team of experienced engineers and artists make your playground the destination for fun! We can create an exciting space where children's imaginations can run wild. A playscape where parents can feel secure and create lasting memories with their whole family.

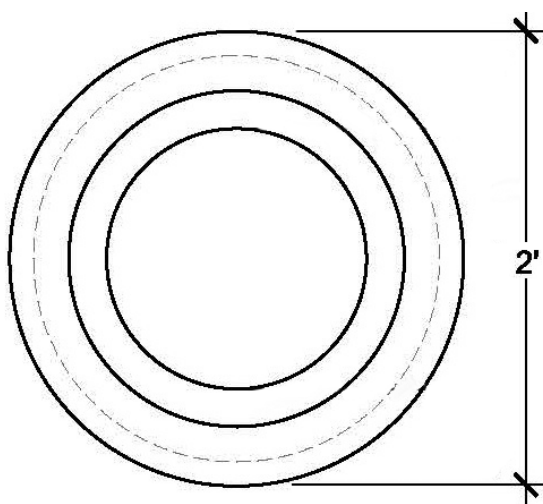
## Key Features

- Fully custom experience, from size to color to finish
- Custom design service available too
- Courteous team with 30+ years of experience in site amenities
- Free, no-obligation consultation and quote

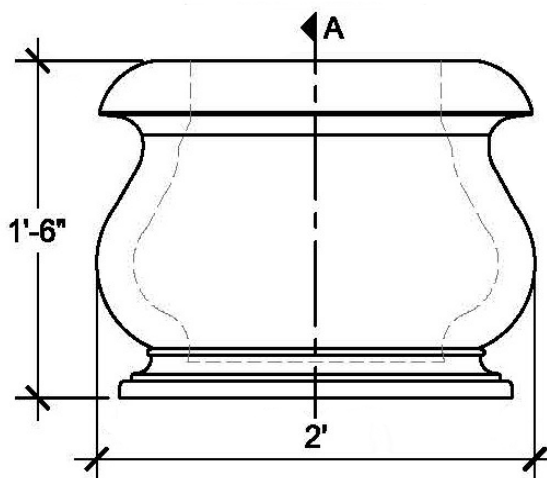
## Specifications

**Use Zone:**  
N/A

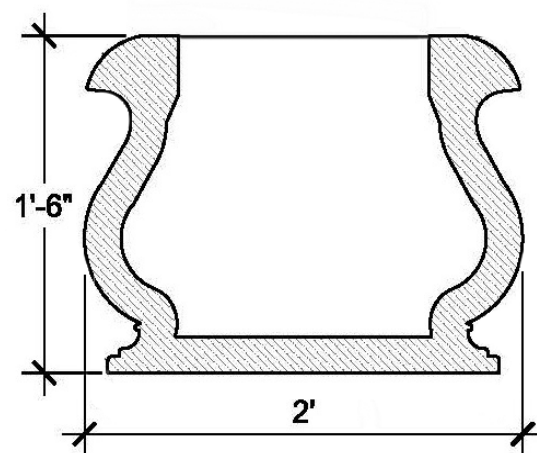
**Mounting Options:**  
Installation Options



TOP VIEW



FRONT VIEW



SECTION A

## SIZE CHART

NAME	HEIGHT	WIDTH
SBOP 142.1	1'-6"	2'-0"
SBOP 142.2	2'-0"	2'-8"
SBOP 142.3	2'-6"	3'-4"
SBOP 142.4	3'-0"	4'-0"
SBOP 142.5	3'-6"	4'-8"

## Contact Us

Ordering from The 4 Kids is easy, initial consultation & quote is free. We can also provide you with design ideas and conceptual drawings. We want your whole experience with The 4 Kids to be smooth & rewarding.

4400 Oneal St. Greenville, TX 75401

903.454.9237

info@the4kids.com

www.the4kids.com

© 2014 The 4 Kids Inc. All rights reserved.