

Bridger Double Covered Bench



A park bench, a seat near the lake, or a place to rest on the playground all conjure up feelings of pleasant relaxation and fun. The 4 Kids Bridger Double Covered Bench adds the extra feature of a shade shelter with a bench to enjoy a little rest and protection from the elements. This shelter is not only functional but beautiful, bringing a peaceful aura of nature to a customized design that offers an array of great finishes. If you're concerned about safety and maintenance, you can relax, because The 4 Kids experts follow strict safety standards and use superior materials that guarantee low maintenance.

The 4 Kids was born out of a desire to create high quality, one-of-a-kind park shelters and play environments that effectively appeal to children's natural curiosity and imagination.

All of our products are custom designed to work perfectly with your unique playground. Let us know how we can meet your specific needs by contacting our knowledgeable design specialists, today.

Contact Us

Ordering from The 4 Kids is easy, initial consultation & quote is free.
We can also provide you with design ideas and conceptual drawings.
We want your whole experience with The 4 Kids to be smooth & rewarding.

4400 Oneal St. Greenville, TX 75401

903.454.9237

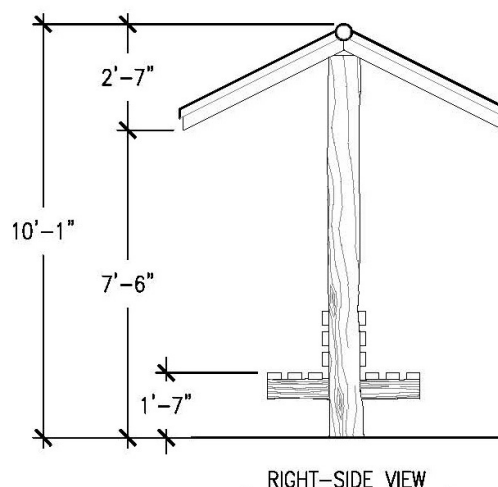
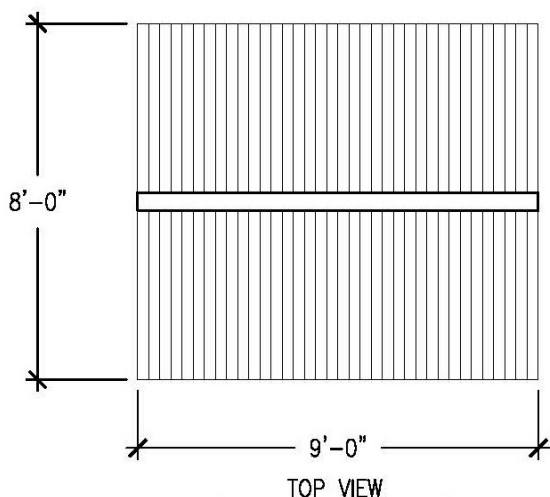
info@the4kids.com

www.the4kids.com

Let our team of experienced engineers and artists make your playground the destination for fun! We can create an exciting space where children's imaginations can run wild. A playscape where parents can feel secure and create lasting memories with their whole family.

Key Features

- The ideal shelter for park or playground or even the bus stop
- Versatile, customized finishes
- High level of safety, durability and low maintenance
- Superior, beautiful design
- Free initial quote and consultation



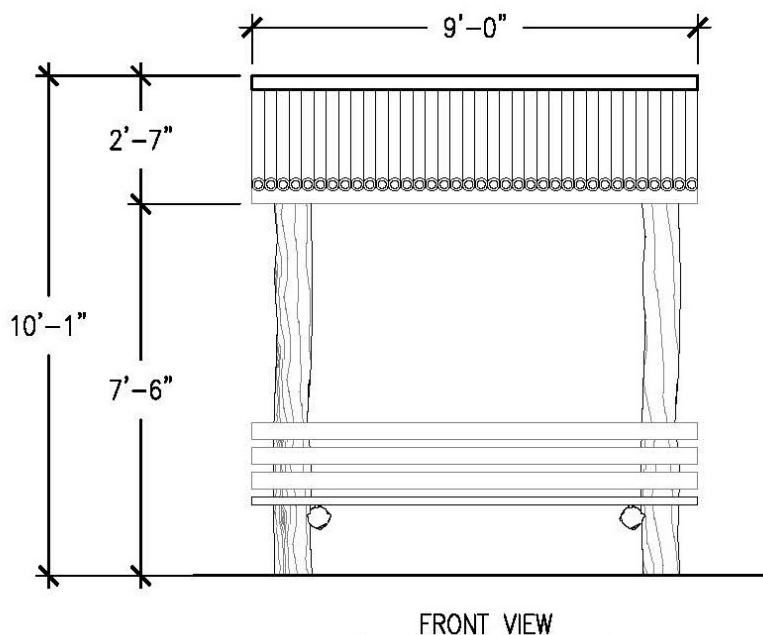
Specifications

Age Range:
N/A

Dimensions:
9'L x 8'W x 10'-1"H

Use Zone:
N/A

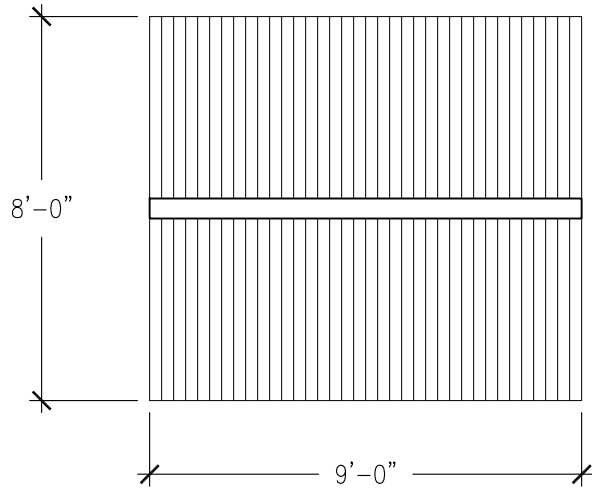
Mounting Options:
Installation Option 1
Installation Option 2



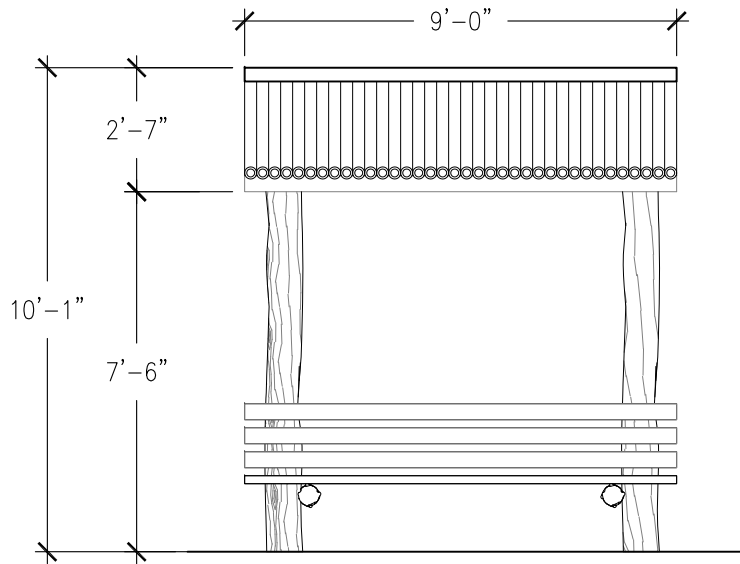
Contact Us

Ordering from The 4 Kids is easy, initial consultation & quote is free. We can also provide you with design ideas and conceptual drawings. We want your whole experience with The 4 Kids to be smooth & rewarding.

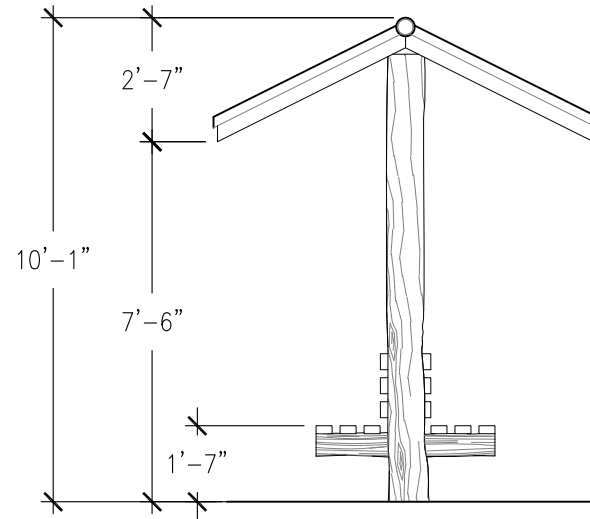
4400 Oneal St. Greenville, TX 75401
903.454.9237 info@the4kids.com www.the4kids.com



TOP VIEW
SCALE: 1/4" = 1'-0"



FRONT VIEW
SCALE: 1/4" = 1'-0"



RIGHT-SIDE VIEW
SCALE: 1/4" = 1'-0"

ALL RIGHTS RESERVED. THIS DRAWING IS PROPERTY OF THE 4 KIDS INC. AND MAY BE USED ONLY WHEN UTILIZING THE 4 KIDS PRODUCTS. THE 4 KIDS INC. GENERAL TERMS AND CONDITIONS APPLY AND ARE INCORPORATE HERE IN BY REFERENCE. THIS DETAIL MAY NOT APPLY TO ALL CONDITIONS AND CONSTRUCTION SITUATIONS.



CUSTOM THEMED PLAYGROUNDS

4400 ONEAL STREET, GREENVILLE, TX 75401 PHONE 903.454.9237 FAX 903.454.3642

TITLE: BRIDGER COVERED DOUBLE BENCH

SCALE: AS NOTED

TYPE DWG: DETAIL

DWG. SHEET: **BRI101**