



Bridger Pavilion



Beautifully designed to mesh seamlessly in a wooded park or fit into a nature themed fun center or lodge, the Bridger Pavilion provides shelter with unobtrusive style. This large, comfortable shelter may accommodate an outdoor wedding, casual family party or class reunion. Supported by tree trunk inspired supports and a woodsy styled roof, the Bridger is constructed with strict safety standards and superior materials that withstand all weather. Custom designed, the Bridger Pavilion is perfect for location at outdoor parks or playgrounds.

The 4 Kids was born out of a desire to create high quality, one-of-a-kind park shelters and play environments that effectively appeal to children's natural curiosity and imagination.

All of our products are custom designed to work perfectly with your unique playground. Let us know how we can meet your specific needs by contacting our knowledgeable design specialists, today.

Contact Us

Ordering from The 4 Kids is easy, initial consultation & quote is free.
We can also provide you with design ideas and conceptual drawings.
We want your whole experience with The 4 Kids to be smooth & rewarding.

4400 Oneal St. Greenville, TX 75401

903.454.9237

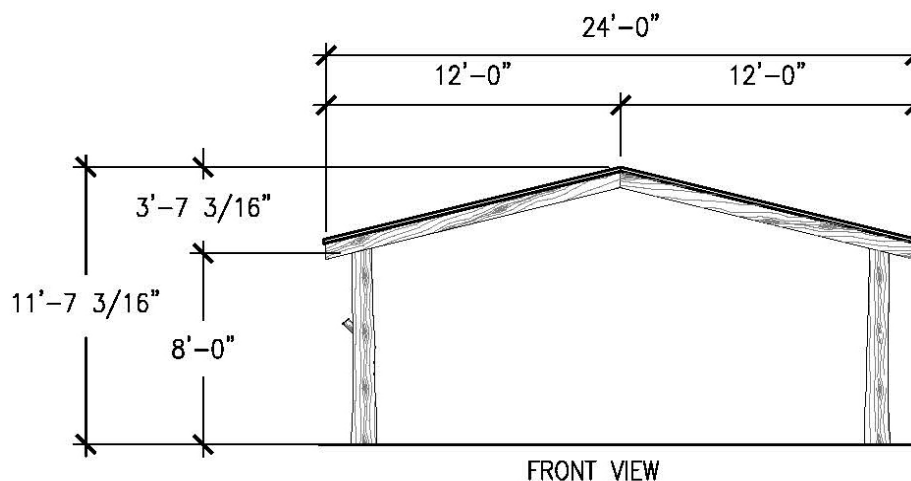
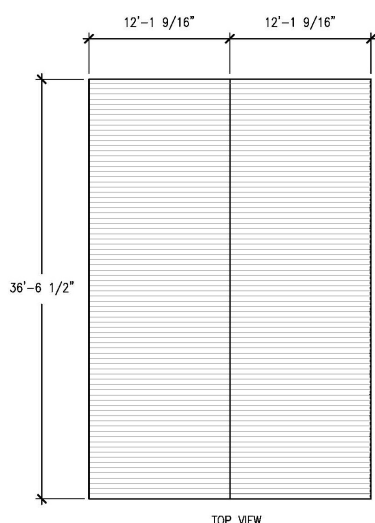
info@the4kids.com

www.the4kids.com

Let our team of experienced engineers and artists make your playground the destination for fun! We can create an exciting space where children's imaginations can run wild. A playscape where parents can feel secure and create lasting memories with their whole family.

Key Features

- Natural beauty in five finishes
- Roomy and comfortable shelter
- Nature themed
- Custom designed, safe and low maintenance
- Initial quotations and consultations free of charge



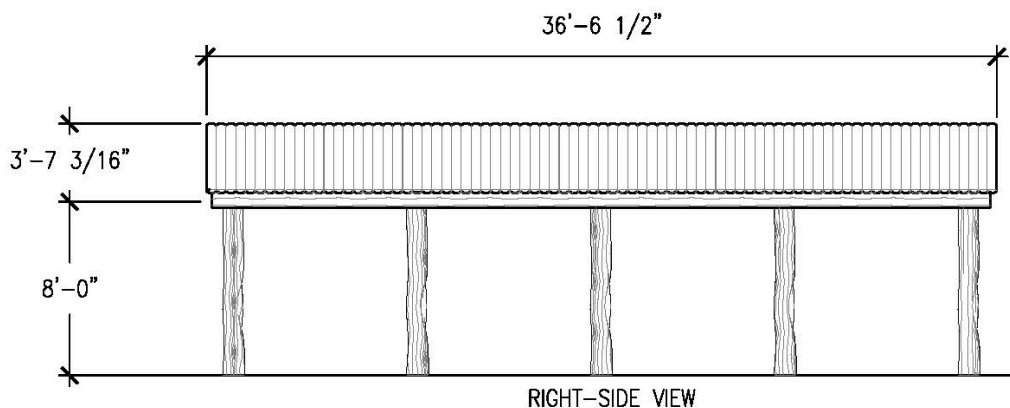
Specifications

Age Range:
N/A

Dimensions:
36''6.5" x 24' x 11'7.25"

Play Area:
N/A

Mounting Options: See Typical Installation Details



Contact Us

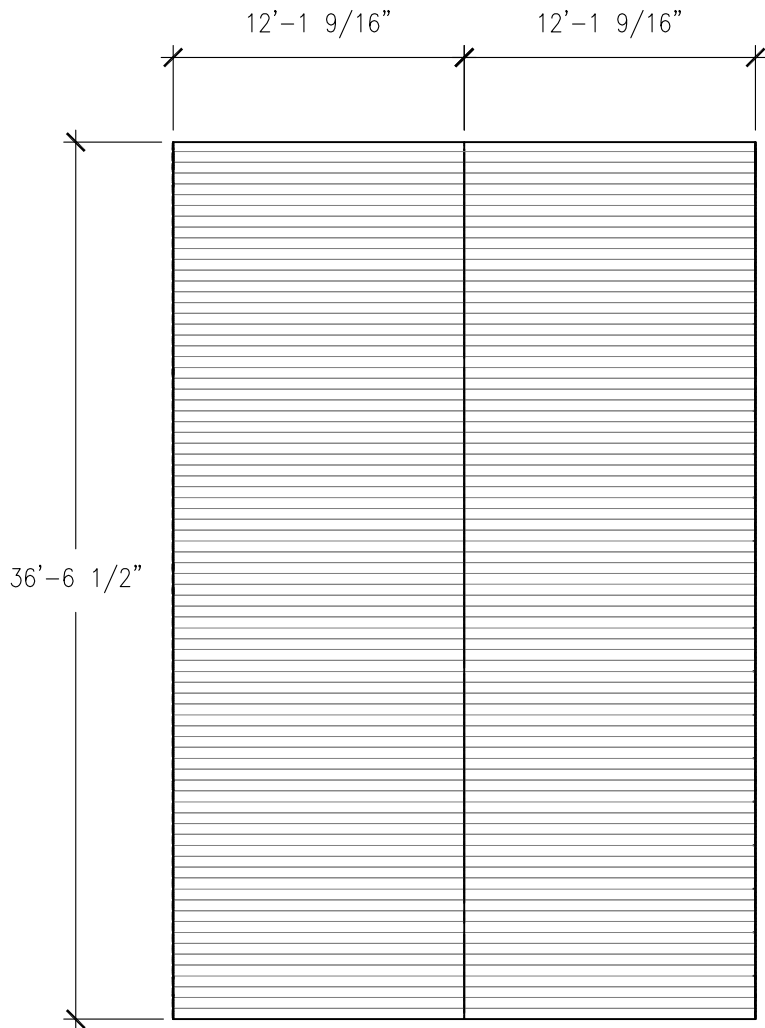
Ordering from The 4 Kids is easy, initial consultation & quote is free. We can also provide you with design ideas and conceptual drawings. We want your whole experience with The 4 Kids to be smooth & rewarding.

4400 Oneal St. Greenville, TX 75401

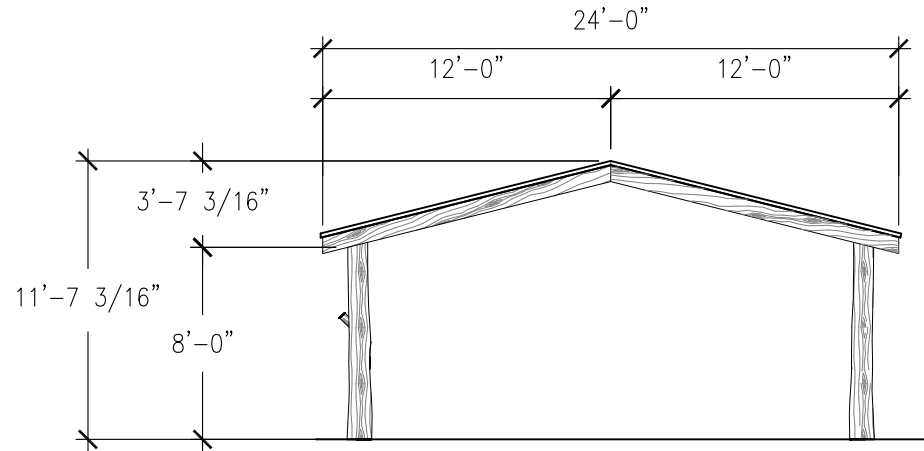
903.454.9237

info@the4kids.com

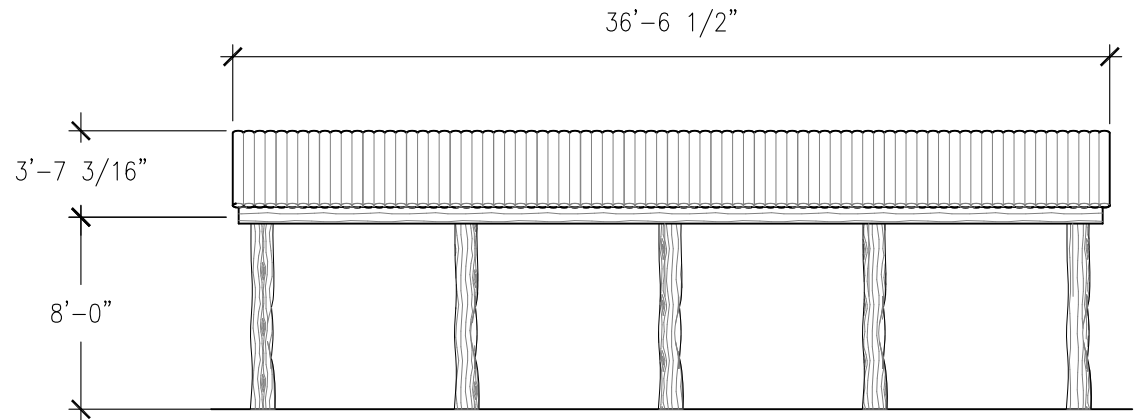
www.the4kids.com



TOP VIEW
SCALE: 1/8" = 1'-0"



FRONT VIEW
SCALE: 1/8" = 1'-0"



RIGHT-SIDE VIEW
SCALE: 1/8" = 1'-0"

ALL RIGHTS RESERVED. THIS DRAWING IS PROPERTY OF THE 4 KIDS INC. AND MAY BE USED ONLY WHEN UTILIZING THE 4 KIDS PRODUCTS. THE 4 KIDS INC. GENERAL TERMS AND CONDITIONS APPLY AND ARE INCORPORATE HERE IN BY REFERENCE. THIS DETAIL MAY NOT APPLY TO ALL CONDITIONS AND CONSTRUCTION SITUATIONS.



CUSTOM THEMED PLAYGROUNDS

4400 ONEAL STREET, GREENVILLE, TX 75401 PHONE 903.454.9237 FAX 903.454.3642

TITLE: BRIDGER PAVILLION

TYPE DWG: DETAIL

SCALE: AS NOTED

DWG. SHEET: **PAV107**