



# Bridger Picnic Shelter

---

---



Enjoy your trip to the park, playground or country club with a picnic in the shade of a The 4 Kids Bridger Picnic Shelter. Featuring built in picnic table and benches, the construction and design is superior to others and functional. Created using the highest safety standards and quality materials, this durable picnic set ensures years of shade for picnics, crafts or tabletop activities. A wide array of finishes are available for the Bridger Picnic Shelter, including concrete, stone, or wood and seating is comfortable and sturdy. Enjoy The 4 Kids' Bridger Picnic Shelter at your fun venue.

The 4 Kids was born out of a desire to create high quality, one-of-a-kind park shelters and play environments that effectively appeal to children's natural curiosity and imagination.

All of our products are custom designed to work perfectly with your unique playground. Let us know how we can meet your specific needs by contacting our knowledgeable design specialists, today.

## Contact Us

Ordering from The 4 Kids is easy, initial consultation & quote is free.  
We can also provide you with design ideas and conceptual drawings.  
We want your whole experience with The 4 Kids to be smooth & rewarding.

4400 Oneal St. Greenville, TX 75401

903.454.9237

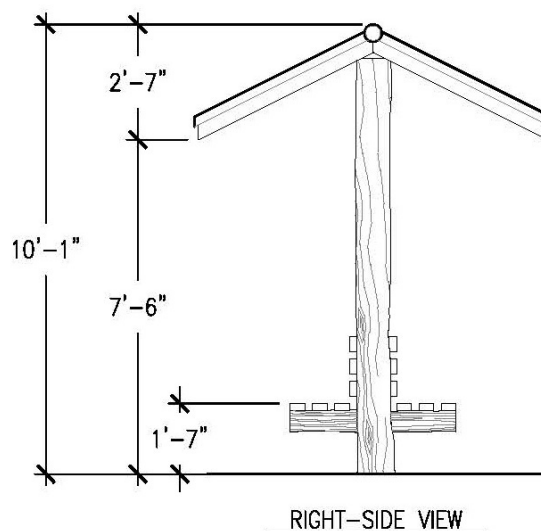
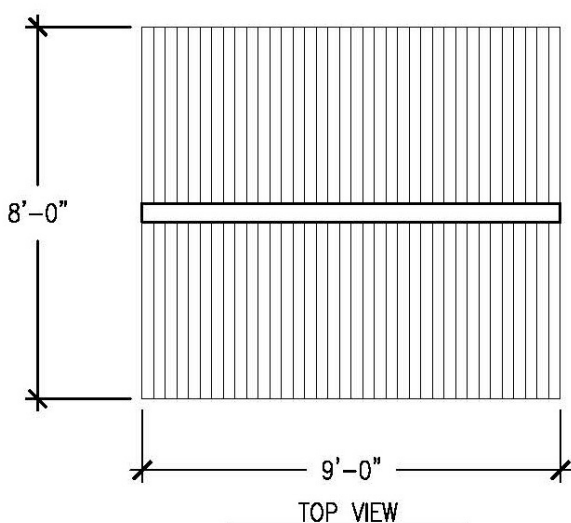
[info@the4kids.com](mailto:info@the4kids.com)

[www.the4kids.com](http://www.the4kids.com)

Let our team of experienced engineers and artists make your playground the destination for fun! We can create an exciting space where children's imaginations can run wild. A playscape where parents can feel secure and create lasting memories with their whole family.

**Key Features**

- Custom designed, durable construction
- Safe and virtually maintenance free
- Ideal for placement at parks and playgrounds, clubs and recreation centers
- Free initial quote and consult
- Provides shade, shelter and function



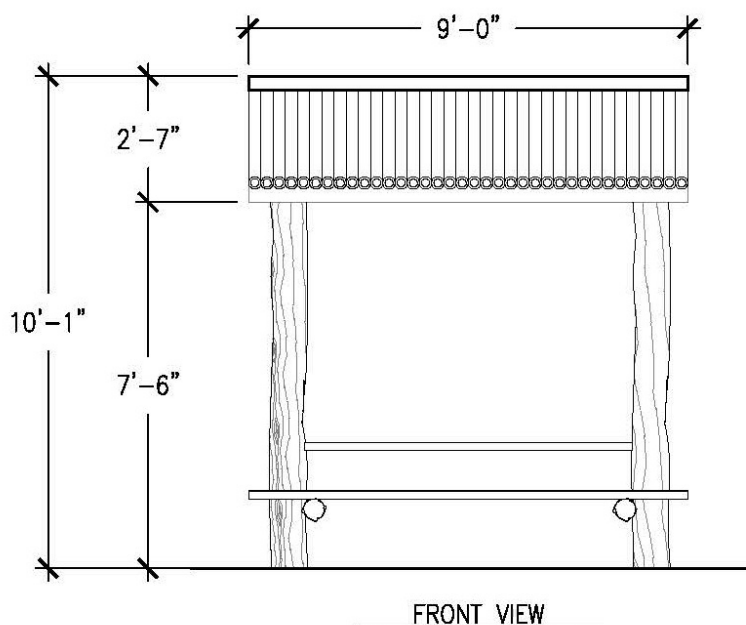
**Specifications**

**Age Range:**  
N/A

**Dimensions:**  
9'L x 8'W x 10'-1"H

**Use Zone:**  
N/A

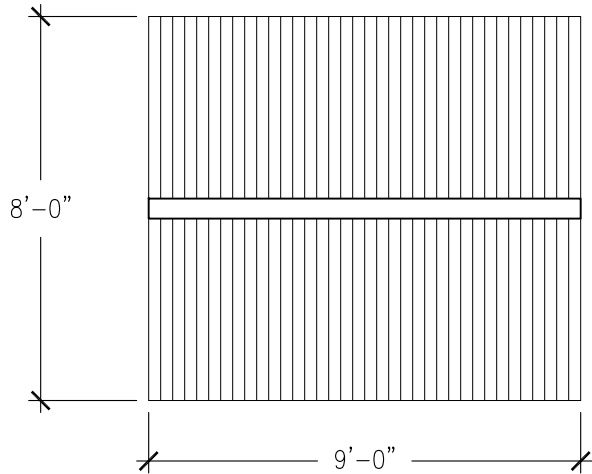
**Mounting Options:**  
Installation Option 1  
Installation Option 2



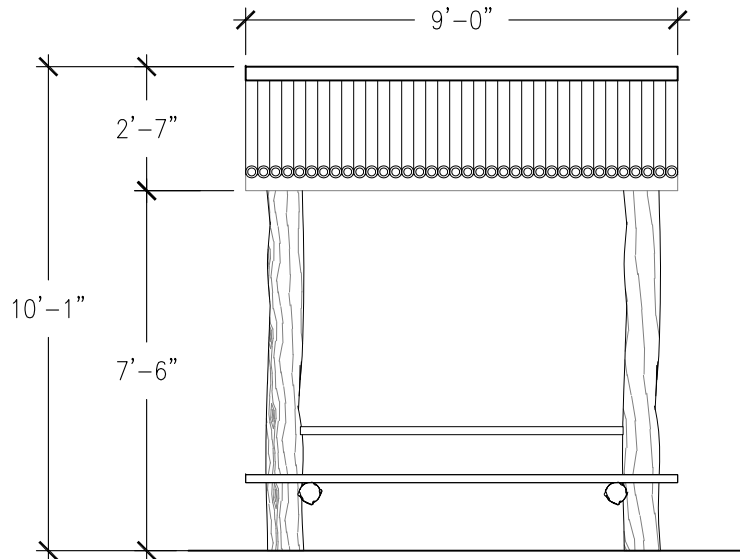
**Contact Us**

Ordering from The 4 Kids is easy, initial consultation & quote is free. We can also provide you with design ideas and conceptual drawings. We want your whole experience with The 4 Kids to be smooth & rewarding.

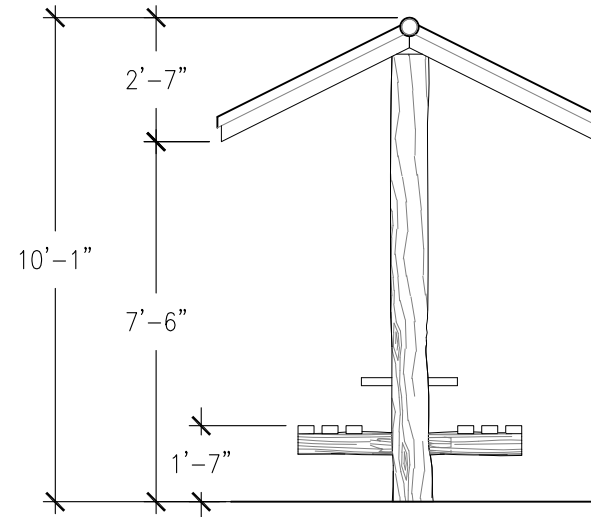
4400 Oneal St. Greenville, TX 75401  
903.454.9237 info@the4kids.com www.the4kids.com



TOP VIEW  
SCALE: 1/4" = 1'-0"



FRONT VIEW  
SCALE: 1/4" = 1'-0"



RIGHT-SIDE VIEW  
SCALE: 1/4" = 1'-0"

ALL RIGHTS RESERVED. THIS DRAWING IS PROPERTY OF THE 4 KIDS INC. AND MAY BE USED ONLY WHEN UTILIZING THE 4 KIDS PRODUCTS. THE 4 KIDS INC. GENERAL TERMS AND CONDITIONS APPLY AND ARE INCORPORATED HEREIN BY REFERENCE. THIS DETAIL MAY NOT APPLY TO ALL CONDITIONS AND CONSTRUCTION SITUATIONS.



**CUSTOM THEMED PLAYGROUNDS**

4400 ONEAL STREET, GREENVILLE, TX 75401 PHONE 903.454.9237 FAX 903.454.3642

TITLE: BRIDGER PICNIC SHELTER

TYPE DWG: DETAIL

SCALE: AS NOTED

DWG. SHEET: **BRI103**