

# Catalina Pergola



Put the vegetation in your park or community play area to good use with this Catalina Pergola. Its curving shape, height and width make it the ideal way to grow some shade and shelter and maintain the natural environment. This fresh and clever design from The 4 Kids is built of sturdy elements that will not break down with age, making it the perfect plant support system.

The 4 Kids was born out of a desire to create high quality, one-of-a-kind park shelters and play environments that effectively appeal to children's natural curiosity and imagination.

All of our products are custom designed to work perfectly with your unique playground. Let us know how we can meet your specific needs by contacting our knowledgeable design specialists, today.

## Contact Us

Ordering from The 4 Kids is easy, initial consultation & quote is free. We can also provide you with design ideas and conceptual drawings. We want your whole experience with The 4 Kids to be smooth & rewarding.

4400 Oneal St. Greenville, TX 75401

903.454.9237

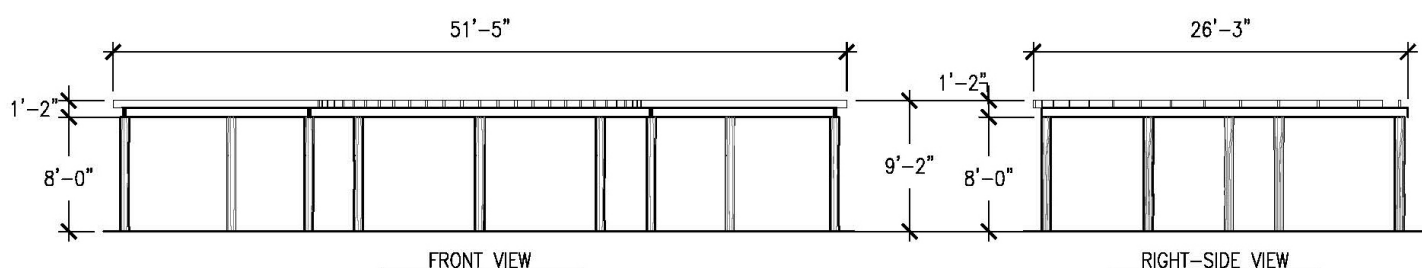
[info@the4kids.com](mailto:info@the4kids.com)

[www.the4kids.com](http://www.the4kids.com)

Let our team of experienced engineers and artists make your playground the destination for fun! We can create an exciting space where children's imaginations can run wild. A playscape where parents can feel secure and create lasting memories with their whole family.

## Key Features

- Tall enough for children and adults
- Spaced beams provide natural growing conditions for vines
- Different finishes so pillar areas match your decor
- For use indoors or outdoors



FRONT VIEW

RIGHT-SIDE VIEW

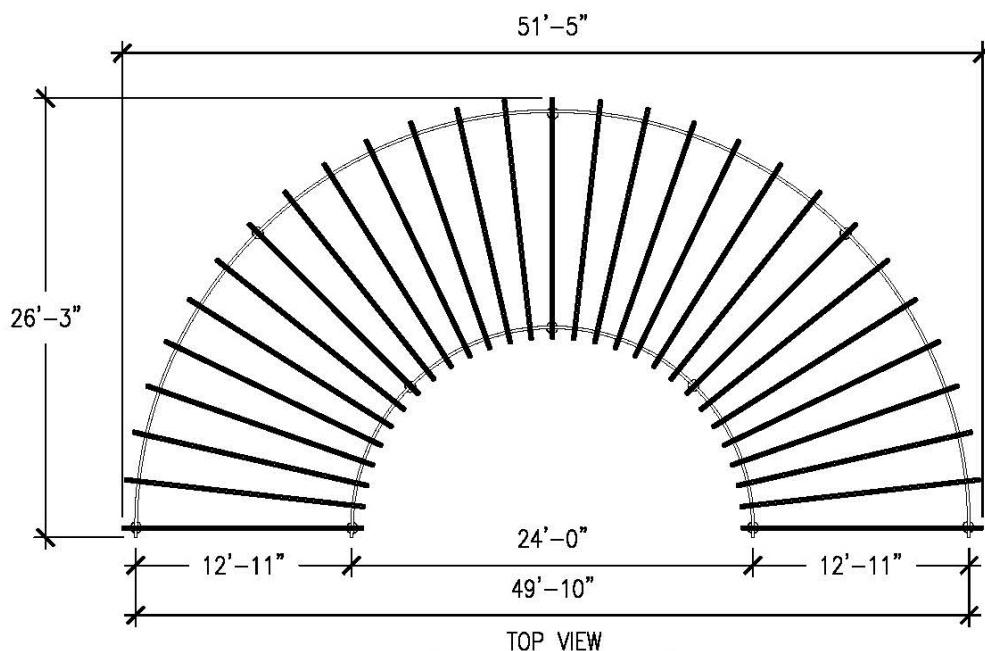
## Specifications

**Age Range:**  
N/A

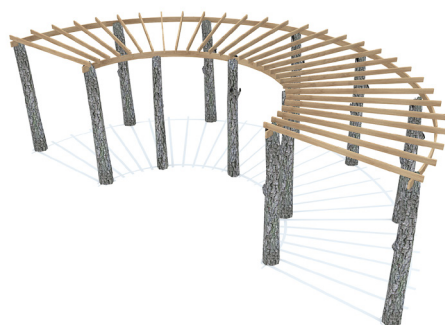
**Dimensions:**  
51'5"L x 26'3"W x 9'2"H

**Use Zone:**  
N/A

**Mounting Options:**  
Installation Option 1  
Installation Option 2



TOP VIEW



## Contact Us

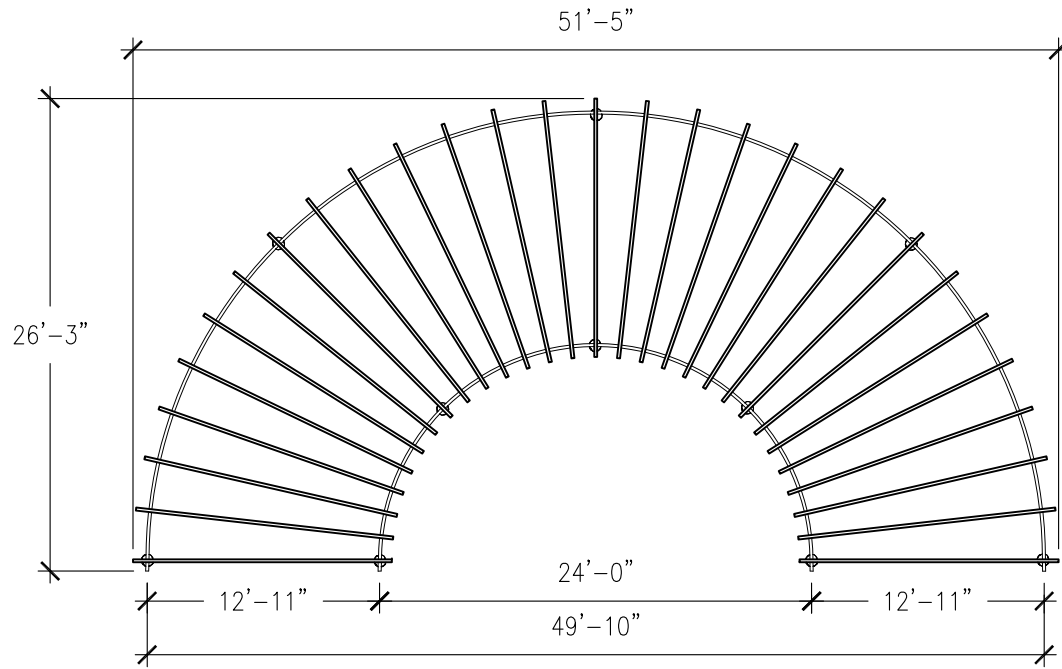
Ordering from The 4 Kids is easy, initial consultation & quote is free. We can also provide you with design ideas and conceptual drawings. We want your whole experience with The 4 Kids to be smooth & rewarding.

4400 Oneal St. Greenville, TX 75401

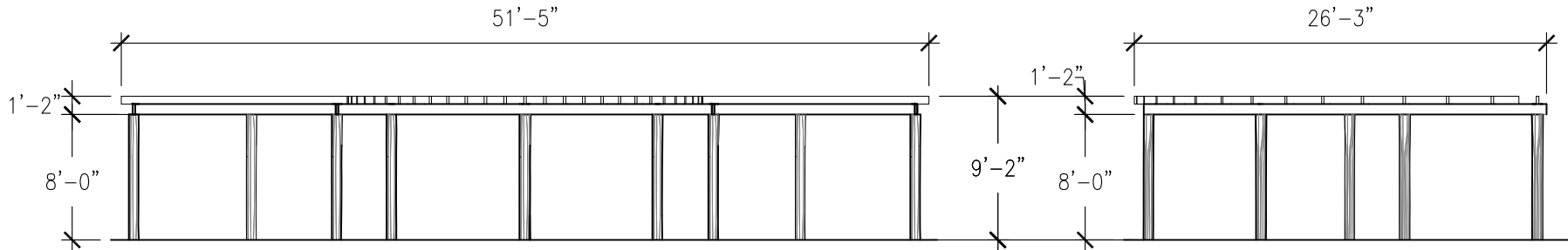
903.454.9237

info@the4kids.com

www.the4kids.com



TOP VIEW  
SCALE: 3/32" = 1'-0"



FRONT VIEW  
SCALE: 3/32" = 1'-0"

RIGHT-SIDE VIEW  
SCALE: 3/32" = 1'-0"

ALL RIGHTS RESERVED. THIS DRAWING IS PROPERTY OF THE 4 KIDS INC. AND MAY BE USED ONLY WHEN UTILIZING THE 4 KIDS PRODUCTS. THE 4 KIDS INC. GENERAL TERMS AND CONDITIONS APPLY AND ARE INCORPORATE HERE IN BY REFERENCE. THIS DETAIL MAY NOT APPLY TO ALL CONDITIONS AND CONSTRUCTION SITUATIONS.



**CUSTOM THEMED PLAYGROUNDS**

4400 ONEAL STREET, GREENVILLE, TX 75401 PHONE 903.454.9237 FAX 903.454.3642

TITLE: CATALINA PERGOLA

TYPE DWG: DETAIL

SCALE: AS NOTED

DWG. SHEET: **PER107**