

Columbiana Bollard Planter



Safeguard people and property by adding the understated elegance of the Columbiana Bollard Planter to any residential building, office complex, arboretum, and more. The simple design is perfect for showing off the greenery that enhances any landscape or streetscape. But don't let the design fool you into thinking this planter isn't tough. We've designed this site amenity with material that stays strong and resists impact, helping to protect pedestrians and property. We'll customize the size to create the look and feel your site requires.

The 4 Kids was born out of a desire to create high quality, one-of-a-kind park shelters and play environments that effectively appeal to children's natural curiosity and imagination.

All of our products are custom designed to work perfectly with your unique playground. Let us know how we can meet your specific needs by contacting our knowledgeable design specialists, today.

Contact Us

Ordering from The 4 Kids is easy, initial consultation & quote is free.
We can also provide you with design ideas and conceptual drawings.
We want your whole experience with The 4 Kids to be smooth & rewarding.

4400 Oneal St. Greenville, TX 75401

903.454.9237

info@the4kids.com

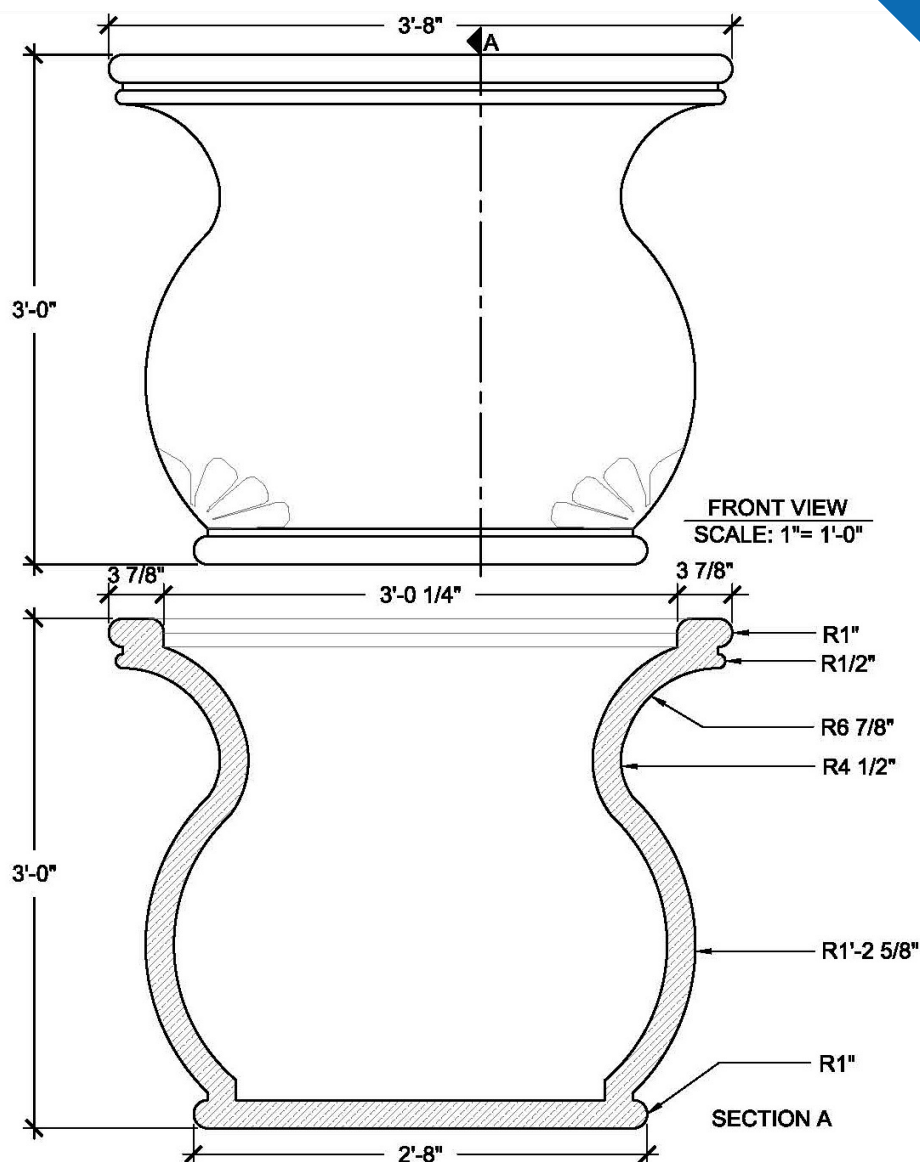
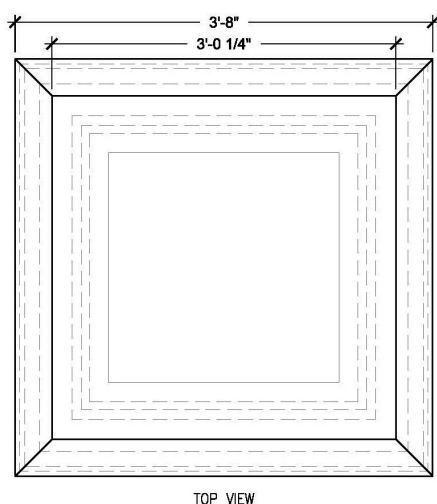
www.the4kids.com

Why Use Us?

Let our team of experienced engineers and artists make your playground the destination for fun! We can create an exciting space where children's imaginations can run wild. A playscape where parents can feel secure and create lasting memories with their whole family.

Key Features

- Variety of colors available
- Offered in finishes such as bronze, stone, and concrete
- Friendly team ready to assist by providing samples, CAD details, and more
- Got something else in mind? Ask us about custom design



Specifications

Age Range:
N/A

Dimensions:
N/A

Play Area:
N/A

Mounting Options:
See Typical
Installation Details

SIZE CHART

NAME	HEIGHT	WIDTH
SBOP 043.1	2'-0"	2'-5"
SBOP 043.2	2'-6"	3'-0"
SBOP 043.3	3'-0"	3'-8"
SBOP 043.4	3'-6"	4'-3"
SBOP 043.5	4'-0"	4'-10"

Contact Us

Ordering from The 4 Kids is easy, initial consultation & quote is free. We can also provide you with design ideas and conceptual drawings. We want your whole experience with The 4 Kids to be smooth & rewarding.

4400 Oneal St. Greenville, TX 75401

903.454.9237

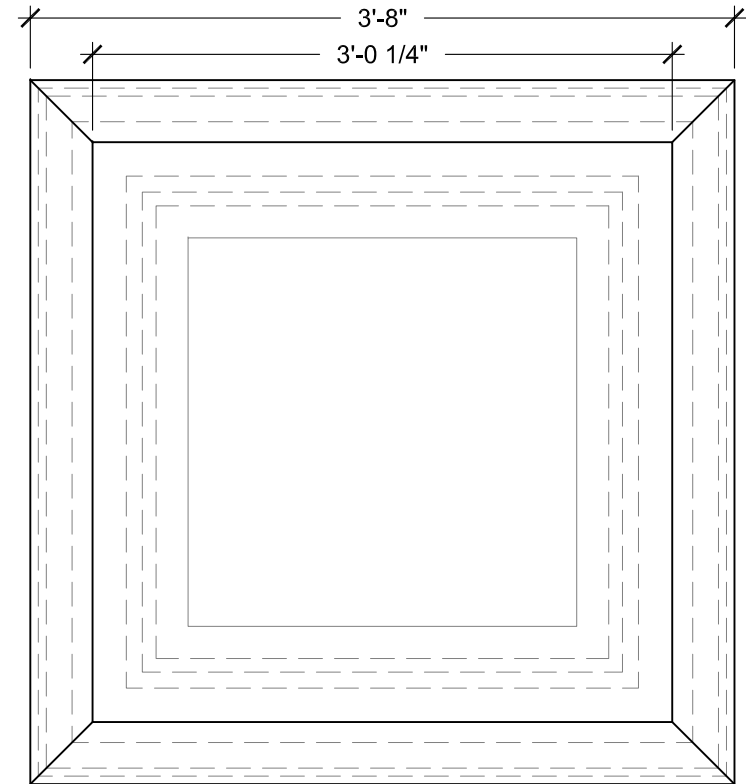
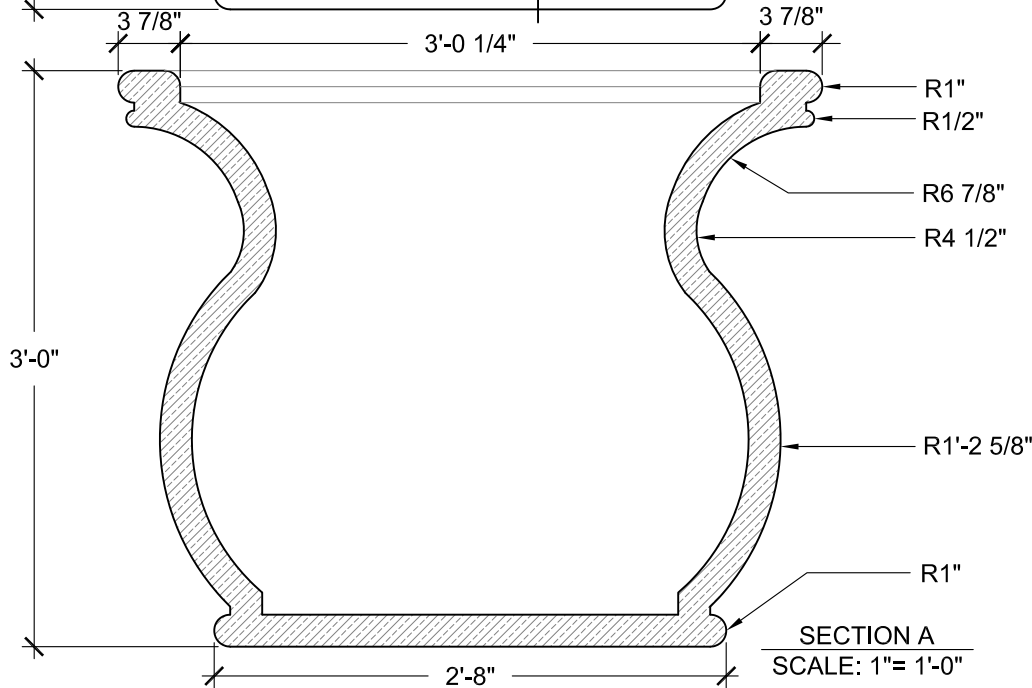
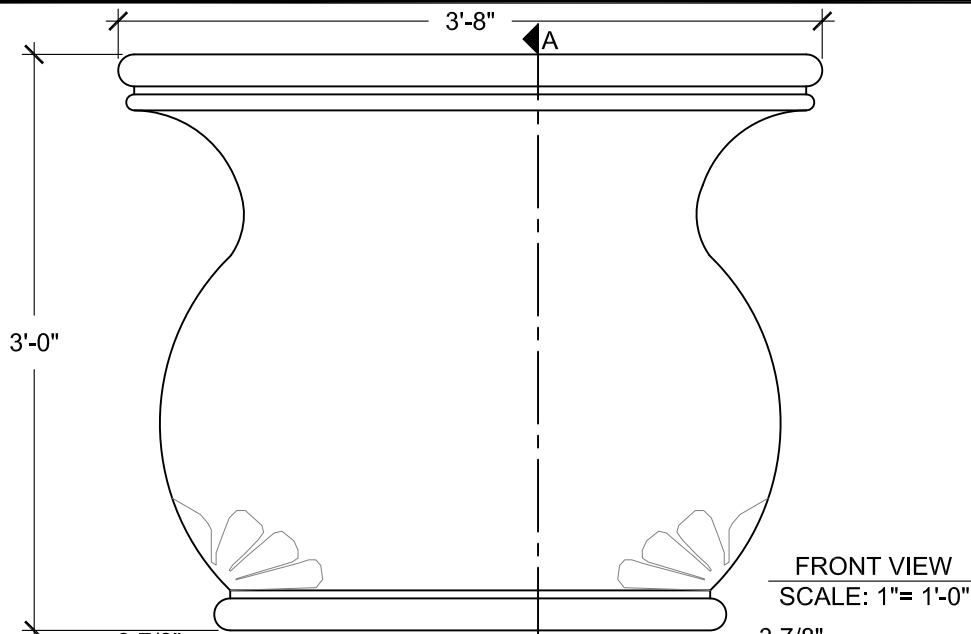
info@the4kids.com

www.the4kids.com

© 2014 The 4 Kids Inc. All rights reserved.

SIZE CHART

NAME	HEIGHT	WIDTH
SBOP 043.1	2'-0"	2'-5"
SBOP 043.2	2'-6"	3'-0"
SBOP 043.3	3'-0"	3'-8"
SBOP 043.4	3'-6"	4'-3"
SBOP 043.5	4'-0"	4'-10"



ALL RIGHTS RESERVED. THIS DRAWING IS PROPERTY OF THE 4 KIDS INC. AND MAY BE USED ONLY WHEN UTILIZING THE 4 KIDS PRODUCTS. THE 4 KIDS INC. GENERAL TERMS AND CONDITIONS APPLY AND ARE INCORPORATE HERE IN BY REFERENCE. THIS DETAIL MAY NOT APPLY TO ALL CONDITIONS AND CONSTRUCTION SITUATIONS.



CUSTOM THEMED PLAYGROUNDS

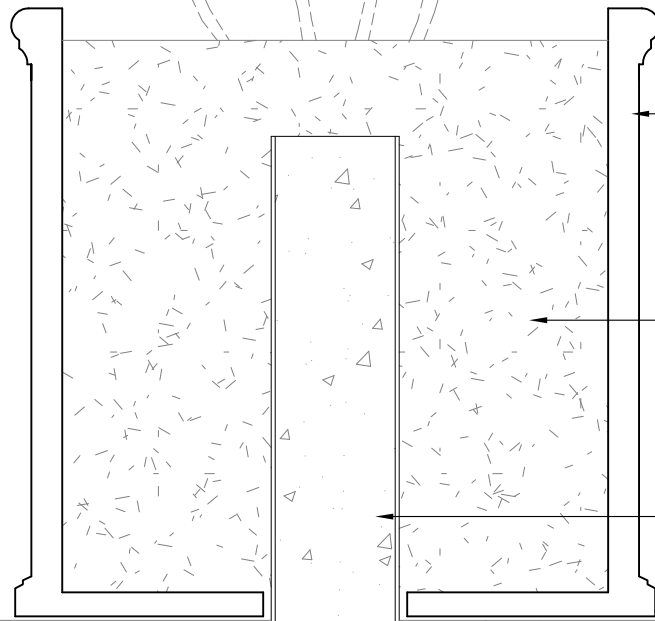
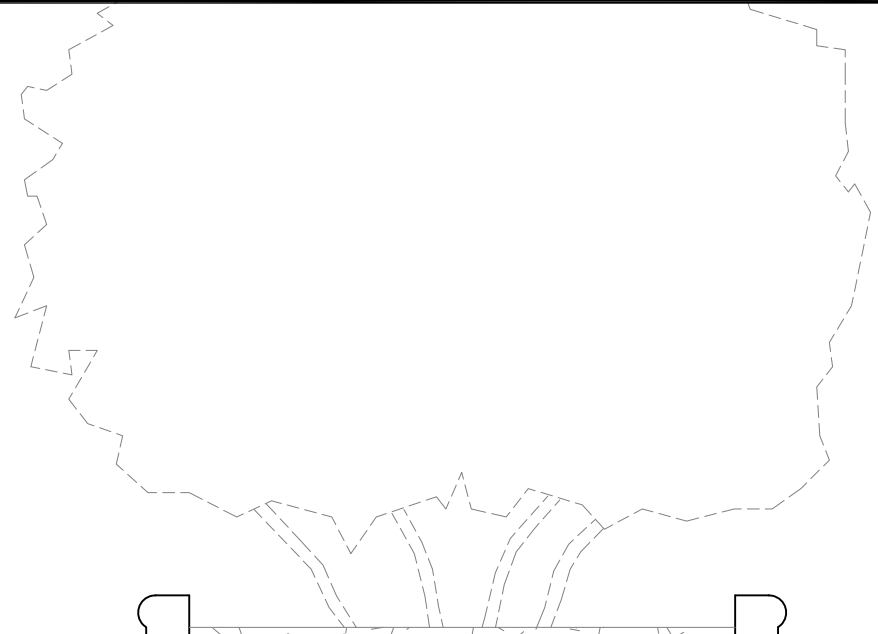
4400 ONEAL STREET, GREENVILLE, TX 75401 PHONE 903.454.9237 FAX 903.454.3642

TITLE: SBOP-043

TYPE DWG: BOLLARD

SCALE: AS NOTED

DWG. SHEET: **SBOP-043**



SECURITY PLANTER

PLANTING MIX

8" STEEL PIPE

ALL RIGHTS RESERVED. THIS DRAWING IS PROPERTY OF THE 4 KIDS INC. AND MAY BE USED ONLY WHEN UTILIZING THE 4 KIDS PRODUCTS. THE 4 KIDS INC. GENERAL TERMS AND CONDITIONS APPLY AND ARE INCORPORATE HERE IN BY REFERENCE. THIS DETAIL MAY NOT APPLY TO ALL CONDITIONS AND CONSTRUCTION SITUATIONS.



CUSTOM THEMED PLAYGROUNDS

4400 ONEAL STREET, GREENVILLE, TX 75401 PHONE 903.454.9237 FAX 903.454.3642

TITLE: MOUNTING

SCALE: 1" = 1'-0"

TYPE DWG: SECURITY PLANTER

DWG. SHEET: **SBSP-M2**