



Cotton Bale Bollard



Who says security amenities need to look boring?! The Cotton Bale Bollard is a tough security barrier that provides safety while adding fun and realism to themed attractions, schools, children's museums, and more. We've shown it here in the realistic finish, which is so detailed some guests might be tempted to think it's an actual cotton bale. The material we use is glass fiber reinforced concrete (GFRC), a composite that will resist impact as well as withstand weather and rambunctious kids. This bollard is ideal for preventing parking, protecting visitors or guests, and way finding.

The 4 Kids was born out of a desire to create high quality, one-of-a-kind park shelters and play environments that effectively appeal to children's natural curiosity and imagination.

All of our products are custom designed to work perfectly with your unique playground. Let us know how we can meet your specific needs by contacting our knowledgeable design specialists, today.

Contact Us

Ordering from The 4 Kids is easy, initial consultation & quote is free.
We can also provide you with design ideas and conceptual drawings.
We want your whole experience with The 4 Kids to be smooth & rewarding.

4400 Oneal St. Greenville, TX 75401

903.454.9237

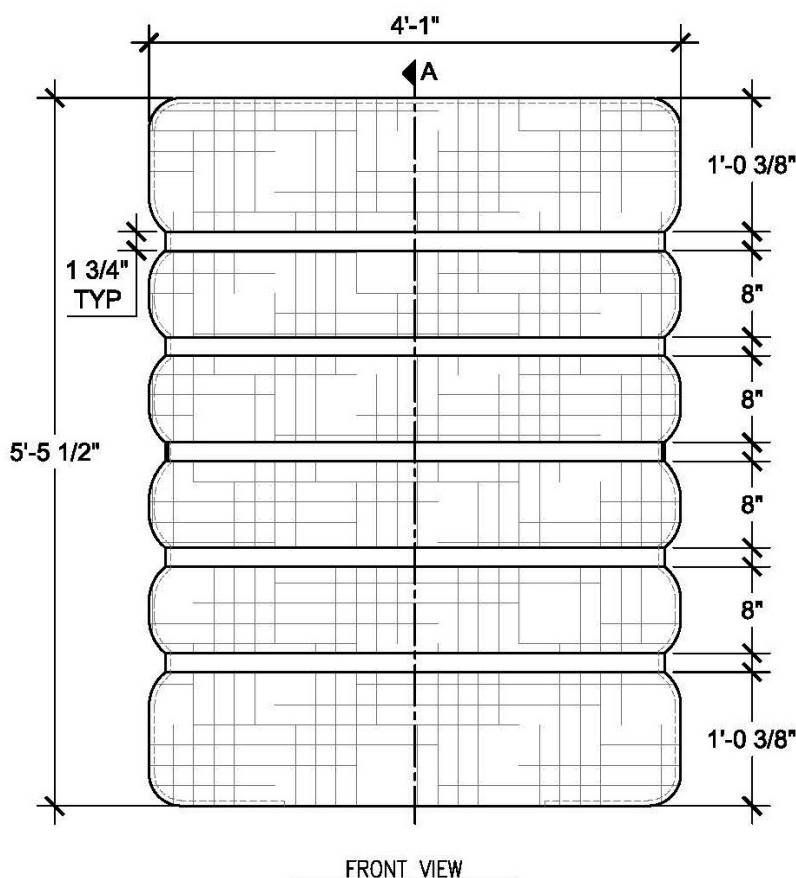
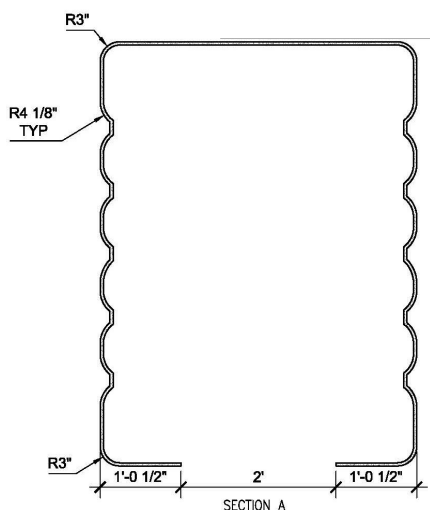
info@the4kids.com

www.the4kids.com

Let our team of experienced engineers and artists make your playground the destination for fun! We can create an exciting space where children's imaginations can run wild. A playscape where parents can feel secure and create lasting memories with their whole family.

Key Features

- Also offered in a concrete finish
- Simple installation and no-hassle maintenance
- Friendly customer care team ready to answer your questions
- No-cost, no-obligation quote



Specifications

Age Range:
N/A

Dimensions:
49\"L x 65.5\"H

Use Zone:
N/A

Mounting Options:
See Typical
Installation Details

SIZE CHART

NAME	HEIGHT	WIDTH
SBOP 018.1	2'-6"	1'-10 1/2"
SBOP 018.2	3'-0"	2'-3"
SBOP 018.3	3'-6"	2'-7 1/2"
SBOP 018.4	4'-0"	3'-0"
SBOP 018.5	5'-5 1/2"	4'-1"

Contact Us

Ordering from The 4 Kids is easy, initial consultation & quote is free. We can also provide you with design ideas and conceptual drawings. We want your whole experience with The 4 Kids to be smooth & rewarding.

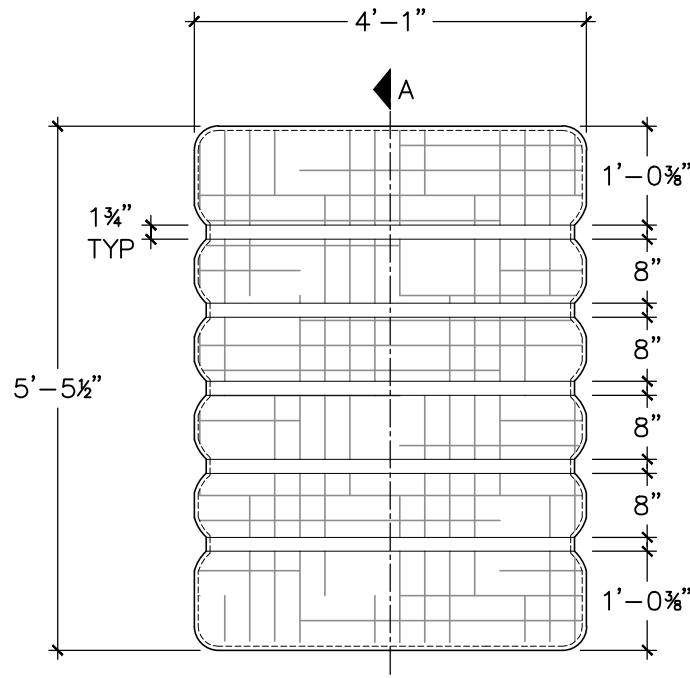
4400 Oneal St. Greenville, TX 75401

903.454.9237

info@the4kids.com

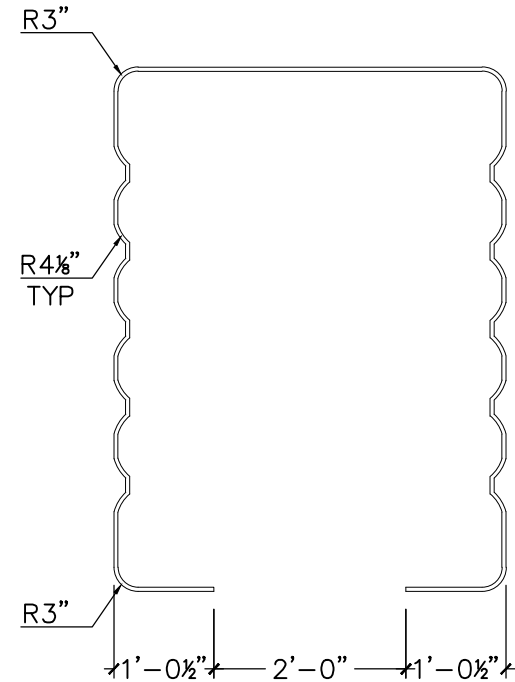
www.the4kids.com

SIZE CHART		
NAME	HEIGHT	WIDTH
SBOP 018.1	2'-6"	1'-10 1/2"
SBOP 018.2	3'-0"	2'-3"
SBOP 018.3	3'-6"	2'-7 1/2"
SBOP 018.4	4'-0"	3'-0"
SBOP 018.5	5'-5 1/2"	4'-1"



FRONT VIEW

SCALE: 1/2" = 1'



SECTION A

SCALE: 1/2" = 1'

ALL RIGHTS RESERVED. THIS DRAWING IS PROPERTY OF THE 4 KIDS INC. AND MAY BE USED ONLY WHEN UTILIZING THE 4 KIDS INC. GENERAL TERMS AND CONDITIONS APPLY AND ARE INCORPORATED HERE IN BY REFERENCE. THIS DETAIL MAY NOT APPLY TO ALL CONDITIONS AND CONSTRUCTION SITUATIONS.

ITEM ID: BOL211

MATERIAL: GFRC

MOLD

APX. TTL. WEIGHT

TOTAL # OF ITEM:

- LBS. [- KG]

TOTAL SQ. FEET: - [- sqm.]

PROJECT:

TITLE: COTTON BALE BOLLARD

REFERENCES:

COLOR & PER APPROVED SAMPLE
TEXTURE: PER APPROVED SAMPLE



CUSTOM THEMED PLAYGROUNDS

400 ONEAL STREET, GREENVILLE, TX 75101 PHONE 903.454.9237 FAX 903.454.3642

TYPE DWG: FABRICATION

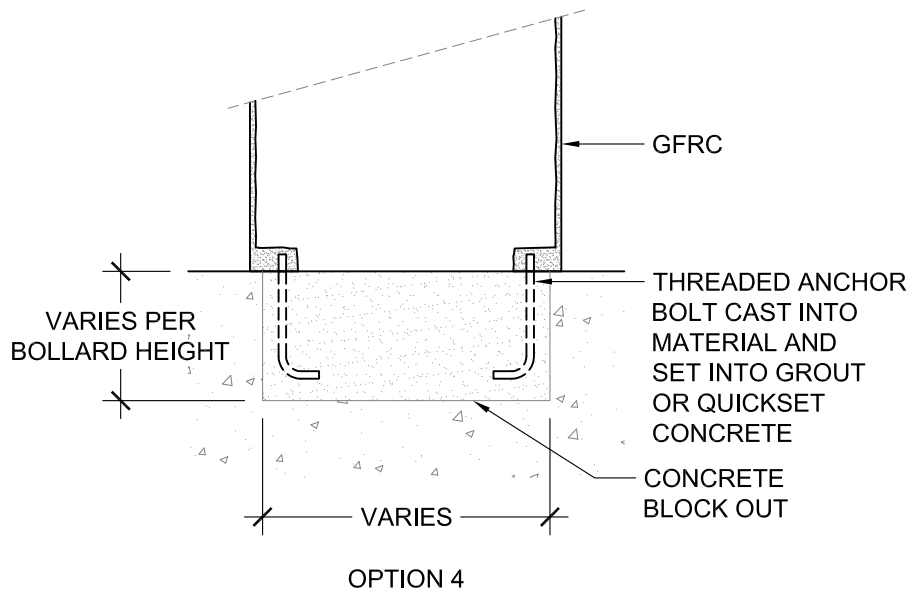
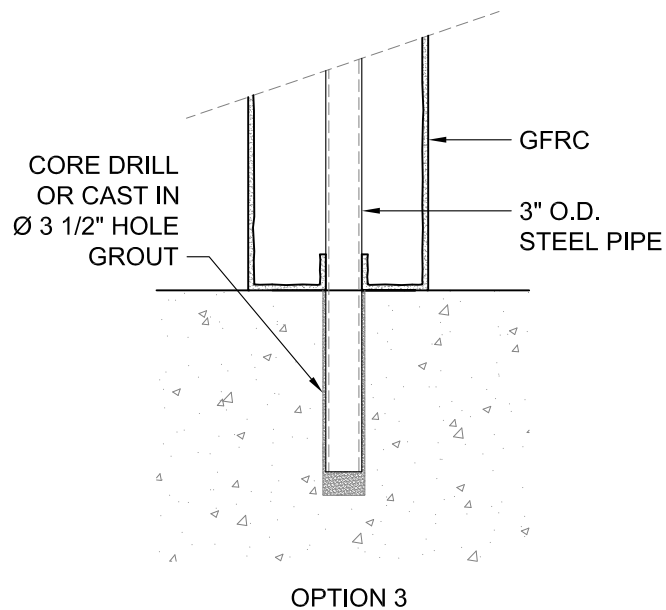
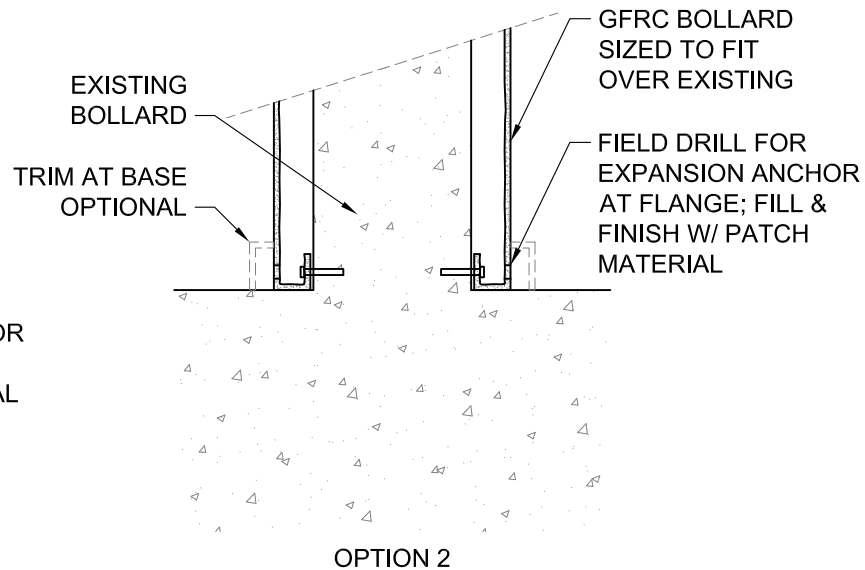
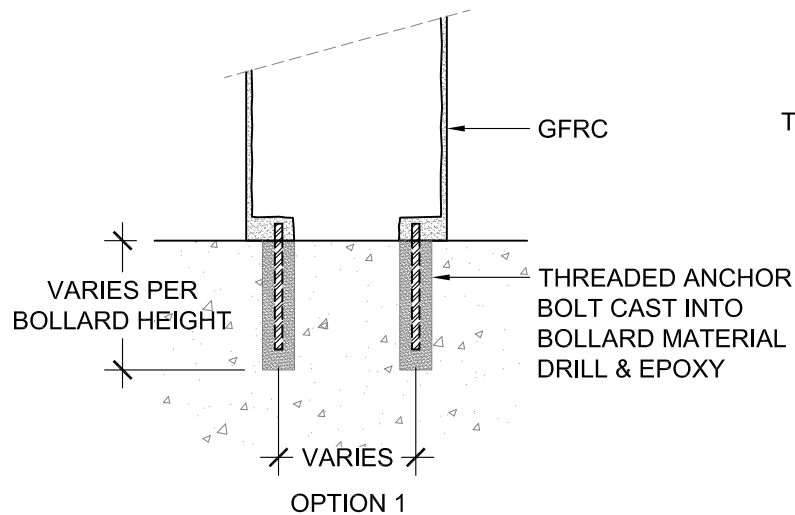
DRAWN BY:

DATE:

SCALE: AS NOTED

SHEET:

DWG. SHEET:



ALL RIGHTS RESERVED. THIS DRAWING IS PROPERTY OF THE 4 KIDS INC. AND MAY BE USED ONLY WHEN UTILIZING THE 4 KIDS PRODUCTS. THE 4 KIDS INC. GENERAL TERMS AND CONDITIONS APPLY AND ARE INCORPORATE HERE IN BY REFERENCE. THIS DETAIL MAY NOT APPLY TO ALL CONDITIONS AND CONSTRUCTION SITUATIONS.



CUSTOM THEMED PLAYGROUNDS

4400 ONEAL STREET, GREENVILLE, TX 75401 PHONE 903.454.9237 FAX 903.454.3642

TITLE: BOLLARD

TYPE DWG: MOUNTING

SCALE: AS NOTED

DWG. SHEET: **SBSP-M1**