



Crooked Rock



Rock climbers, such as this Crooked Rock, are great for promoting grip, building upper body strength, and self-confidence as kids climb to the top. Standing at 6 feet high, this rock climber is great for kids ages 5 and beyond. It was hand crafted to be realistic, using glass fiber reinforced concrete, the 'smart-crete'. Durable and made to withstand the harsh Texas weather that Mother Nature can dish out, this piece will last for years of fun.

The 4 Kids was born out of a desire to create high quality, one-of-a-kind park shelters and play environments that effectively appeal to children's natural curiosity and imagination.

All of our products are custom designed to work perfectly with your unique playground. Let us know how we can meet your specific needs by contacting our knowledgeable design specialists, today.

Contact Us

Ordering from The 4 Kids is easy, initial consultation & quote is free.
We can also provide you with design ideas and conceptual drawings.
We want your whole experience with The 4 Kids to be smooth & rewarding.

4400 Oneal St. Greenville, TX 75401

903.454.9237

info@the4kids.com

www.the4kids.com

Why Use Us?

Let our team of experienced engineers and artists make your playground the destination for fun! We can create an exciting space where children's imaginations can run wild. A playscape where parents can feel secure and create lasting memories with their whole family.

Key Features

- Custom designed, safe and sturdy
- Low maintenance, high fun factor
- Helps develop motor skills and whole body muscular strength
- Blends into nature themed settings

Specifications

Age Range:

5 - 12 years

Dimensions:

6'6"L x 4'10"W x 6'H

Use Zone:

18'6"L x 16'10"W

Mounting Options:

Installation Option 1
Installation Option 2



Contact Us

Ordering from The 4 Kids is easy, initial consultation & quote is free. We can also provide you with design ideas and conceptual drawings. We want your whole experience with The 4 Kids to be smooth & rewarding.

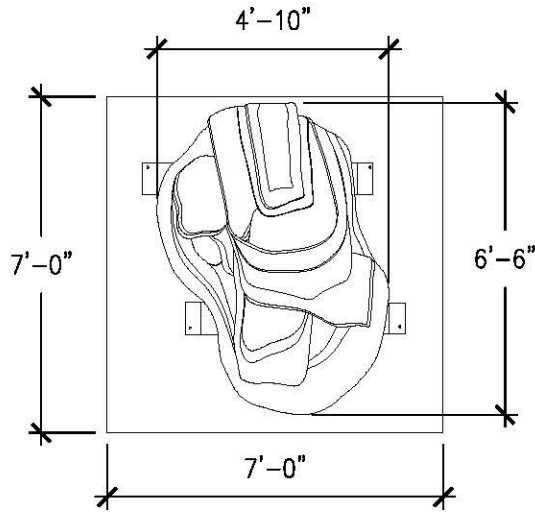
4400 Oneal St. Greenville, TX 75401

903.454.9237

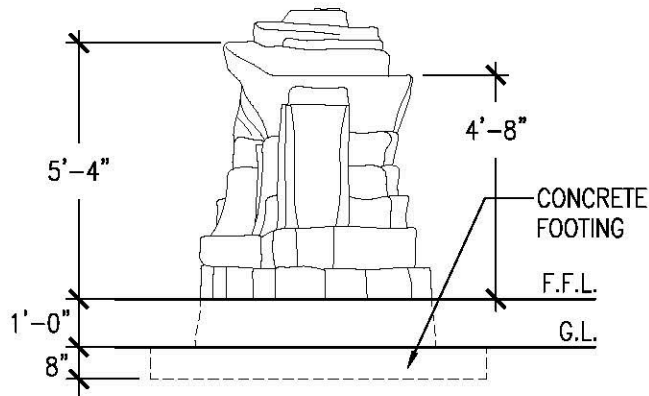
info@the4kids.com

www.the4kids.com

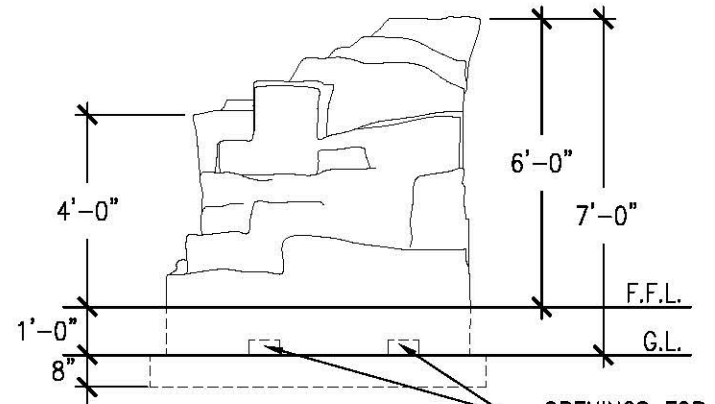
© 2014 The 4 Kids Inc. All rights reserved.



TOP VIEW
SCALE: 1/4" = 1'-0"



FRONT VIEW
SCALE: 1/4" = 1'-0"



RIGHT-SIDE VIEW
SCALE: 1/4" = 1'-0"

OPENINGS FOR
LIFT FORKS

ALL RIGHTS RESERVED. THIS DRAWING IS PROPERTY OF THE 4 KIDS INC. AND MAY BE USED ONLY WHEN UTILIZING THE 4 KIDS INC. GENERAL TERMS AND CONDITIONS APPLY AND ARE INCORPORATED HERE IN BY REFERENCE. THIS DETAIL MAY NOT APPLY TO ALL CONDITIONS AND CONSTRUCTION SITUATIONS.

ITEM ID: ROC122

MATERIAL: **GFRC**

MOLD

APX. TTL. WEIGHT

TOTAL # OF ITEM:

2,000 LBS

TOTAL SQ. FEET: **- [- sqm.]**

PROJECT:

TITLE: KURAY ROCK CLIMBER

REFERENCES: _

COLOR & PER APPROVED SAMPLE
TEXTURE: PER APPROVED SAMPLE



CUSTOM THEMED PLAYGROUNDS

1100 ONEAL STREET, GREENVILLE, TX 75101 PHONE 903.454.9237 FAX 903.454.3642

TYPE DWG: FABRICATION

DRAWN BY: TSPA

DATE: 04/10/14

SCALE: AS NOTED

SHEET: A

DWG. SHEET: