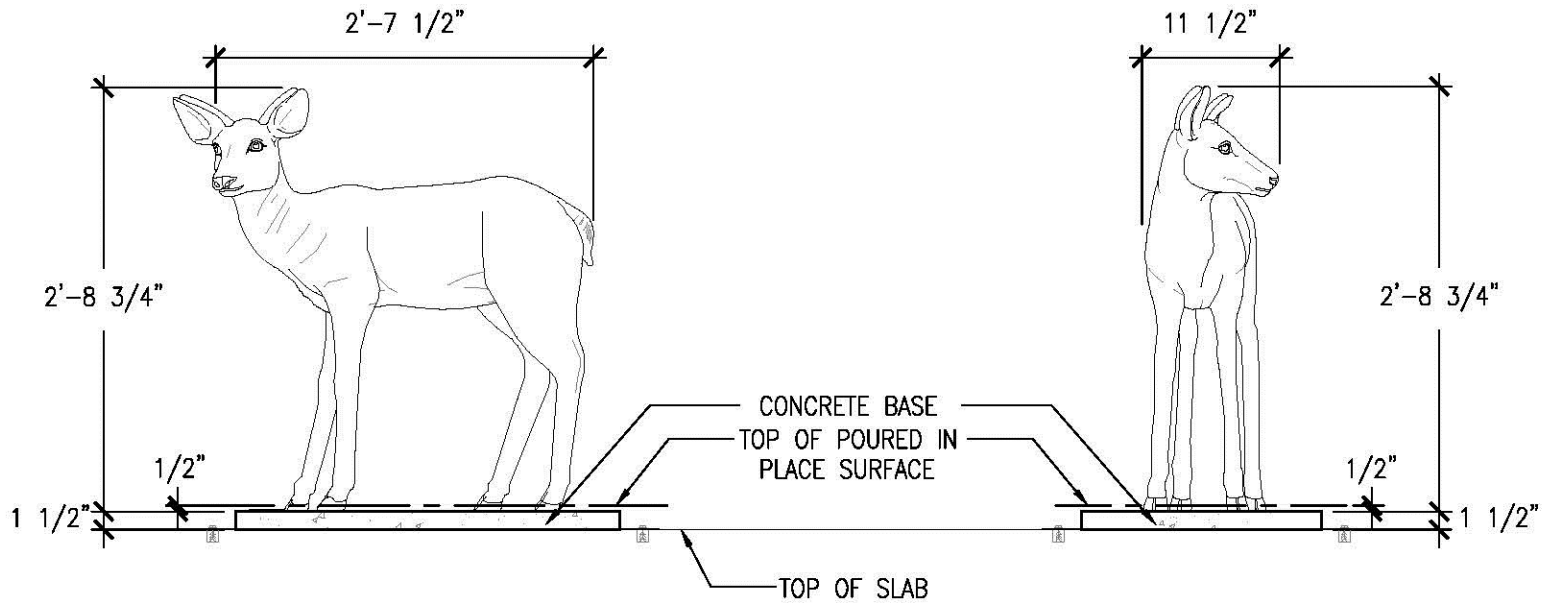


TOP VIEW
SCALE: 3/4" = 1'-0"



RIGHT-SIDE VIEW
SCALE: 3/4" = 1'-0"

FRONT VIEW
SCALE: 3/4" = 1'-0"

ALL RIGHTS RESERVED. THIS DRAWING IS PROPERTY OF THE 4 KIDS, INC. AND MAY BE USED ONLY WHEN UTILIZING THE 4 KIDS, INC. GENERAL TERMS AND CONDITIONS APPLY AND ARE INCORPORATED HERE IN BY REFERENCE. THIS DETAIL MAY NOT APPLY TO ALL CONDITIONS AND CONSTRUCTION SITUATIONS.

ITEM ID: FAWN SCULPTURE

MATERIAL: **GFRP**

MOLD

APX. TTL. WEIGHT

TOTAL # OF ITEM: **1**

- LBS. [- KG]

TOTAL SQ. FEET: **- [- sqm.]**

PROJECT:

TITLE: DEER SCULPTURE (SC103)

REFERENCES: -

COLOR & PE
TEXTURE: PE



CUSTOM THEMED PLAYGROUNDS

1100 ONEAL STREET, GREENVILLE, TX 75101 PHONE 903.454.9237 FAX 903.454.3642

TYPE DWG: FABRICATION

DRAWN BY:

DATE: 07/15/14

SCALE: AS NOTED

SHEET: A

DWG. SHEET: **GP.1.3.F.1.R0**