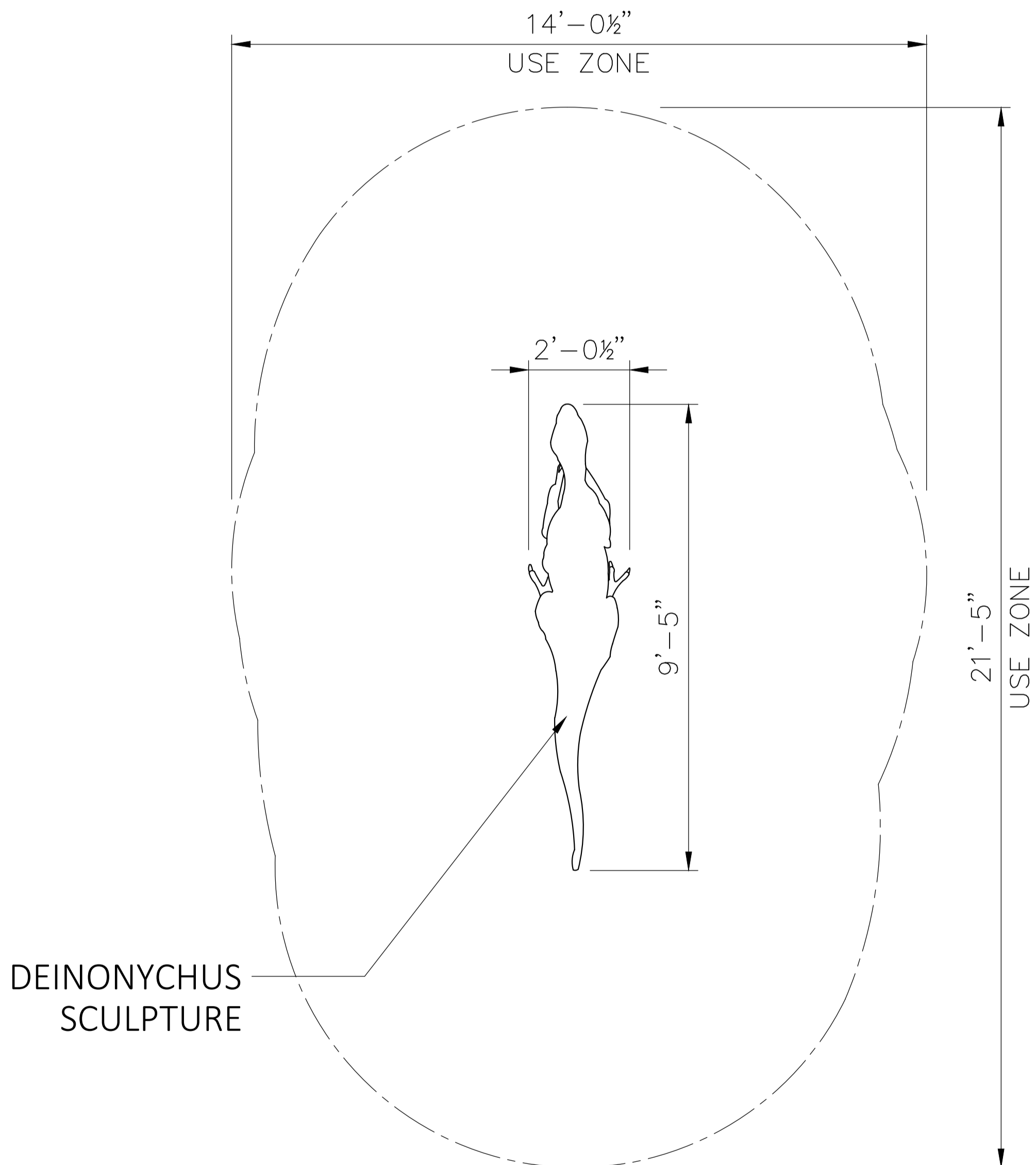




DEINONYCHUS SCULPTURE
9'5"L x 2' 1/2"W x 4' 2.5"H



TOP VIEW

SCALE: 1/2" = 1'